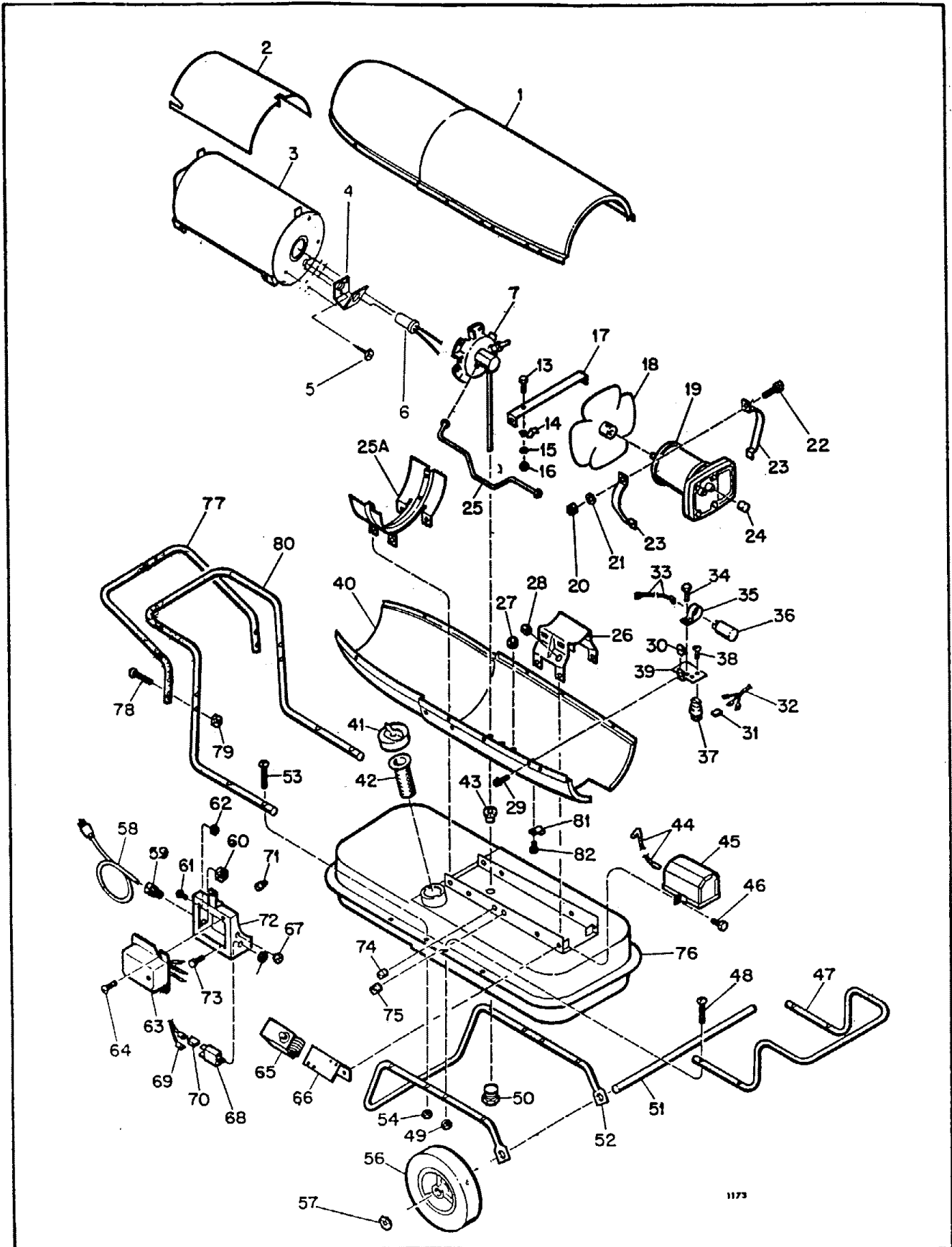


KEDDY HEATER CANADIAN MC150
LOW PRESSURE SPEC 5036G09 M50092-46



REDDY HEATER CANADIAN MC150

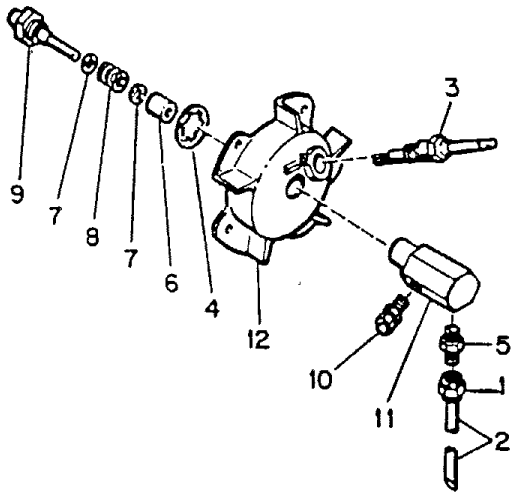
LOW PRESSURE SPEC 5036G09

M50092-46

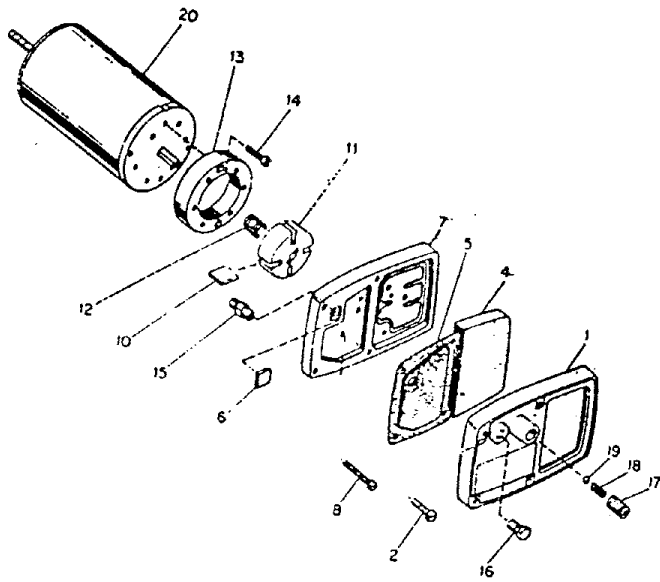
Part Number	Part Name	Qty.	Key No.	Part Number	Part Name	Qty.	
1	M27286AC	Shell Upper	1	-	M11084-29	Screw, Hex hd., 10-12x $\frac{1}{2}$ in. (AP)	4
	M11084-27	Screw, Hex Head #10-12x $\frac{1}{2}$	6	41	M23284	Cap, Filler	1
	M11271-6	Nut, Clip	6	42	M18053	Screen, Filler Neck	1
2	M16679	Deflector, Heat	1	43	M10990-3	Bushing	1
3	M16887-7	Combustion Chamber	1	45	M16697-03	Transformer Assembly	1
4	M16660	Bracket, Photo Cell	1	46	M11084-27	Screw, Hex hd., 10-12x $\frac{1}{2}$ in. (AP)	2
5	M11084-26	Screw, Hex Head #10-12x3/8	2	47	M14243-3	Handle, Rear	1
6	M16656-4	Photo Cell Assembly	1	48	M12345-34	Screw, Oval hd., 10-24x2 in. (AP)	4
7	M16803-7	Burner Head Assembly	1	49	NTC-3C	Nut, Torque Lock No. 10-24 (AP)	4
	M11084-27	Screw, Hex Head, #10-12x $\frac{1}{2}$ Holds Burner Head in Position	3	50	M27417	Drain Plug Assembly	1
8	Not Used			51	M16801-2	Axle	1
9	Not Used			52	M12831-3	Frame, Wheel Support	1
10	Not Used			53	M12345-34	Screw, Oval hd., 10-24x2 in. (AP)	4
11	Not Used			54	NTC-3C	Nut, Torque Lock, 10-24	4
12	Not Used			56	M19294	Wheel	2
13	M12461-27	Screw, Hex hd., No. 10-32x $\frac{1}{2}$ in.	1	57	M28526	Nut, Cap	2
14	M24717	Clamp	1	58	M10813-85	Extension Cord Assembly	1
15	WLM-3	Lockwasher	1	59	M6082	Connector, Straight	1
16	NPF-3C	Nut, Hex, 10-32	1	60	50460	Locknut	1
17	M16871	Strap, Retainer	1	61	RC3-4C	Screw, Rd. hd., No. 10-24x $\frac{1}{2}$ in. (Ground Wire)	1
-	M11084-27	Screw, Hex hd., No. 10-12x $\frac{1}{2}$ in. (AP)	2	62	NTC-3C	Nut, Lock No. 10-24 (Ground Wire)	1
18	M17058	Fan, 16" Pitch	1	63	M22082	Control Assembly, Safety	1
	SF4-2- $\frac{1}{2}$ K	Setscrew, Socket hd., cup pt., $\frac{1}{4}$ -28 x5/16 in. (furnished with fan)	2	64	RF3-4C	Screw, Rd. hd., No. 10-32x $\frac{1}{2}$ in. (AP)	2
19	M17875-8	Motor Package Assembly (For details see figure 14)	1	65	M25297-9	Thermostat Assembly	NA
20	NPC-4	Nut, Plain hex, $\frac{1}{4}$ -20 (AP)	2	-	NPC-1C	Nut, Plain hex, No. 6-32 (AP)	2
21	WLM-4	Lockwasher, $\frac{1}{4}$ in. (AP)	2	-	WLI-1	Lockwasher, No. 6 (AP)	2
22	HC4-10C	Screw, Hex hd., $\frac{1}{4}$ -20x1- $\frac{1}{4}$ in. (AP)	2	-	RC1-3C	Screw, Rd. hd., No. 6-32x3/8 in. (AP)	2
23	M16661	Clamp, Motor (AP)	4	66	M17063-31	*Cable Assembly	1
24	M26046	Cap	1	-	M25131	*Bushing, Strain Relief	1
25	M16804	Air Line	1	-	M25046	*Thermostat	1
25A	M12828	Shell Support Bracket	1	67	M25121B	Bracket, Thermostat	1
26	M16645	Bracket, Motor Support	1	-	M11084-27	Screw, Hex hd., No. 10-12x $\frac{1}{2}$ in. (AP)	2
-	M11084-27	Screw, Hex hd., No. 10-12x $\frac{1}{2}$ in. (AP)	4	68	M11143	Bushing, Strain Relief	1
27	1000576	Grommet	2	69	M27284	Circuit Breaker	1
28	1000577	Grommet	1	70	M16841-19	Wire Assy. Circuit Breaker	1
29	M11084-27	Screw, Hex Hd., 10-12x $\frac{1}{2}$ in. (Relay bracket)	1	71	M15714-1	Insulator, Terminal	2
30	M11271-6	Nut, Tinnerman	1	72	M15714-2	Connector, Wire	2
32	M16841-21	Wire Assembly, Relay	1	73	M27324-1AC	Control Box Mounting Assembly	1
34	M11084-39	Screw, Hex hd., No. 8-15x $\frac{1}{2}$ in.	1	74	M11084-27	Screw, Hex hd., No. 10-12x $\frac{1}{2}$ in. (AP)	2
37	M12462-6	Relay, Motor start	1	75	M25907	Bushing, Snap	1
38	RC2-2C	Screw, Rd. hd. 8-32x $\frac{1}{4}$ in.	2	76	M23611	Bushing, Snap	1
39	M11952	Bracket, Relay	1	77	M51011-05AA	Fuel Tank Assembly	1
40	M16810-04AC	Lower Shell Assembly	1	78	M21983-1	Guard, Nose	1
-	M11084-27	Screw, Hex hd., 10-12x3/8 in.	4	79	M12345-34	Screw, Oval, 10-24x2 in. (AP)	4
				80	NTC-3C	Nut, Torque Lock No. 10-24 (AP)	4
				81	M21997-1	Handle, Front	1
				82	M3570	Clip, Nylon	3
					M11084-39	Screw, Hex hd., 8-15x1/2 in. (AP)	2

KEDDY HEATER CANADIAN MQ150

LOW PRESSURE SPEC 5036 G09 M50092-46



Key No.	Part Number	Part Name	Qty.
	M16803-7	Burner Head Assembly	Ref
1.	M13849	•Nut, Flaredead #10-12x½	1
2	M16789-7	•Fuel Filter Assembly	1
3	M10982-2.	•Spark Plug	1
4	M16741-18	•Ring, Retaining	1
	M1678-7	•Nozzle Adapter Assy.	1
5	M5976	•Connector, Male	1
6	M8882	•Sleeve, Nozzle Seal	1
7	M10659-1	•Washer, Nozzle Seal	2
8	M10809-1	•Spring, Nozzle Seal	1
9.	M18022.	•Nozzle, Aspirating	1
10	M16791	•Connector, Male	1
11	M16535	•Adapter, Nozzle	1
12	M23090	•Body, Burner Head	1



Key No.	Part Number	Part Name	Qty.
17-	M17875-8	Motor Package Assembly	1
1	M16545	•End Cover, Filter	1
2	M12461-31	•Screw, Hex hd., No. 10-32x1	4
3	WLI-3	•Lockwasher, Internal No. 10	4
4	M12179	•Intake Air Filter	1
5	M12244-1	•Output Filter Assy.	1
6	M11637	•Filter, Lint	1
7	M50545	•Front Cover, Pump (Port plate)	1
8	*M12461-34	•Screw, Hex hd., No. 10-32 x 1-½	6
9	WLI-3	Lockwasher, Internal No. 10	6
10	M8643-3	•Blade, Pump	4
11	M22456-3	•Rotor, Pump	1
12	M22009	•Insert, Rotor	1
13	M8645-3	•Pump Body	1
14	FHPF3-7C	•Screw (Pump Body to Motor)	2
15	M5976	•Connector, Male	1
16	M22997	•Plug	1
17	M27694	•Screw, Pressure Adjustment	1
18	M10993-1	•Spring, Compression (Pressure Relief)	1
19	M8940	•Ball, ¼ in. dia.	1
20	M50450-01	•Motor	1

