

CANADA KNIPCO LOW PRESSURE
 Model F30C Spec 5005G01
 PORTABLE HEATER
 Rev 12-76

PARTS LIST

WHEN ORDERING REPAIR PARTS' ALWAYS GIVE THE FOLLOWING INFORMATION AS SHOWN IN THIS LIST:

- | | |
|--------------------|---|
| 1. PART NAME | 3. THE MODEL AND SPEC. NO. F 30C
Spec. No. 5005902 |
| 2. THE PART NUMBER | 4. THE NAME OF EQUIPMENT—
PORTABLE HEATER |

Always Order by Part Number - Not Index Number

Fig. & Index No.	Part Number	Part Name	Qty.
1	M11084-26	Screw, Hex hd., 10-12 x 3/8 in.	15
2	M30724-AD	Shell, Upper	1
3	M29634-02	Chamber Assembly, Combustion	1
4	M11084-26	Screw, Hex hd., 10-12 x 3/8 in.	2
5	M29707-01	Burner Head Assembly	1
6	M29824	Nut, Special	1
7	M29835	Spark Plug	1
8	M16741-18	Ring, Retainer	1
9	M29705-01	Nozzle Adapter Assembly	1
10	M29681	Nozzle, Siphon	1
11	M29805	Adapter, Nozzle	1
12	M29615-01	Bracket Assembly, Nozzle Adapter	1
13	M10908-1	Screw, Hex hd., 6-32 x 1/4 in.	2
14	M29652-02	Tubing, Fuel	1
15	M29814-01	Filter Assembly, Fuel	1
16	M10990-3	Bushing, Rubber	1
17	M23609-02	Photo Cell	1
18	M30778-AK	Bracket, Safety Control	1
19	M11271-6	Nut, Tinnerman	4
20	M15714-1	Connector, Wire	1
21	M30865-02	Bushing	2
22	M26317	Fan	1
23	M31322	Safety Control Assembly	1
24	M29652-01	Tubing, Airline	1
25	M25922	Transformer Assembly	1
26	NTC-3C	Nut	4
27	M12461-50	Screw No. 10-24 x 3/8 in.	4
28	M29750-01	Motor Package Assembly (See Fig. 9)	1
29	M11084-26	Screw	4
30	M29616	Motor Mounting Bracket	1
31	M11271-6	Nut, Tinnerman	6
32	M31318	Bushing, Strain Relief	1
33	M10813-76	Extension Cord Assembly	1

Fig. & Index No.	Part Number	Part Name	Qty.
34	M11084-26	Screw	4
35	M30727-AD	Shell, Lower	1
36	M30715-01BA	Cap, Fuel	1
37	M30723-03-AK	Tank Assembly, Fuel	1
38	M13961A	Bracket, Photo Cell	1
39	M13962A	Tubing, Photo Cell	1
40	M13963A	Clamp, Photo Cell	1
41	M31347-AK	Guard, Fuel	1
42	M12462-1	Screw, 6-32 x 1/4	1
43	NPC-1C	Nut, 6-32	1
44	M15714-2	Connector, Wire	2
45	M15823-46	Screw, 8 x 15 x 1-1/2	2
46	M26287-3	Handles, Front-Rear	2
47	M12345-29	Screw, Hex hd., 10-24 x 1	8
48	NTC-3C	Nut 10-24	8
49	M50323	Screen, Filler neck	1

PARTS AVAILABLE—NOT SHOWN

M25952	Decal, Oper. Inst.	1
M25953	Decal, Caution	1
M50229	Decal, Fuel	1
N31326	Decal, Guard	1
M31327	Decal, Wiring	1
M31328	Decal, Weather	1
M4119	Label, CSA	1
M30732	Decal, Tradename	1
M50228	Decal, Spark Plug	1
M50225-01	Decal, Pump Pressure	1

CANADA KNIPCO LOW PRESSURE
MODEL F30 SPEC 5005 G01 REV 12-76

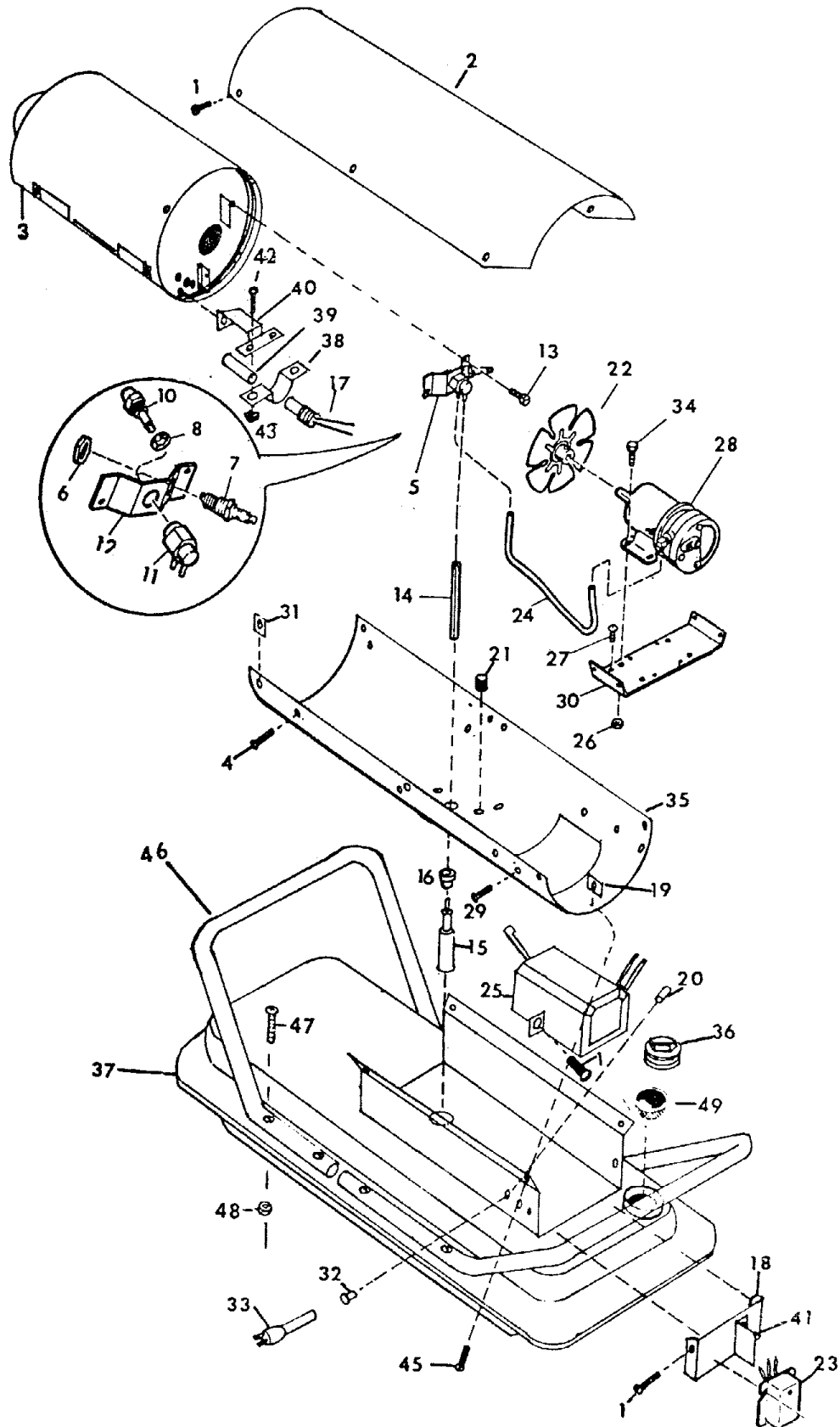


Figure 8, Heater Assembly, Exploded View

CANADA KNIPCO LOW PRESSURE MODEL F30C SPEC 5005G01 REV 12-76

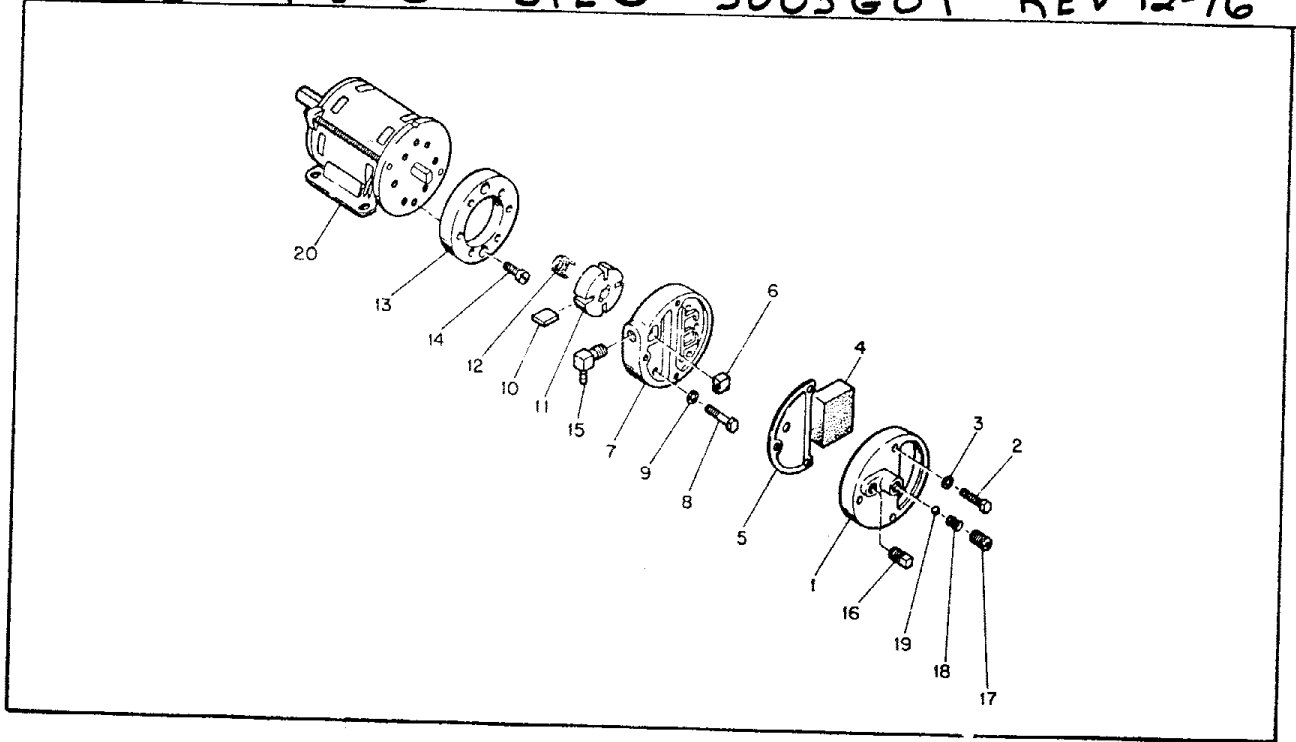


Figure 9. Motor Package Assembly

Fig. & Index No.	Part Number	Part Name	Qty.
-	M29750-01	Motor Package Assembly	1
1	M29609	. End Cover, Filter	1
2	M12461-31	. Screw (Filter End Cover to Pump End Cover)	3
3	WLI-3	. Lockwasher, Internal No. 10	3
4	M29633	. Intake Air Filter	1
5	M29612-01	. Output Filter Assembly	1
6	M29632	. Filter, Lint	1
7	M29608	. End Cover, Pump (Port Plate)	1
8	M12461-32	. Screw (End Cover to Motor)	6
9	WLI-3	. Lockwasher, Internal, No. 10	6
10	M8643	. Blade	4

Fig. & Index No.	Part Number	Part Name	Qty.
11	M22456-1	. Rotor, Pump	1
12	M22009	. Insert, Rotor	1
13	M8645	. Pump Body	1
14	FHPF3-4C	. Screw (Pump Body to Motor)	2
15	M29797	. Elbow	1
16	M22997	. Plug, Socket Hd.	1
17	M27694	. Screw, Pressure Adjustment	1
18	M10993-1	. Spring, Compression (Pressure Relief)	1
19	M8940	. Ball, 1/4 in. dia.	1
20	M29780-01	. Motor	1

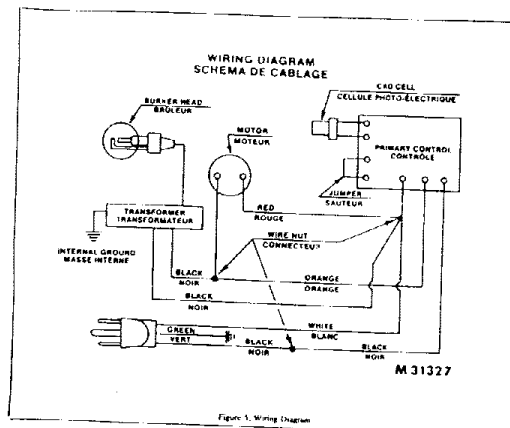


Figure 1. Wiring Diagram