

PORTABLE HEATER PARTS LIST

Figure & Index No.	Part Number	Part Name	Units Per Assy	
			Domestic	Canadian
	M9113	Portable Heater Assy, Domestic	1	-
	M9961	Portable Heater Assy, Canadian	-	1
5-1	M9114	Front Handle	1	-
5-1	M9114-1	Front Handle	-	1
5-1A	M9121	Nose Guard	-	1
5-2	M3304	Rubber Tip	2	2
5-3	M3284-1	Rear Handle	1	1
5-4	M3976	Wheel	2	2
5-5	C4-8	Cotter Pin	4	4
5-6	WP8	Washer	8	8
5-7	M3100	Axle	1	1
5-8	M5164-1	Extension Cord	1	-
5-9	M3490	Service Cord	-	1
5-10	1001349	Straight Connector	2	-
5-11	M6082	Straight Connector, 1/2 in. (With 50460 Locknut).	-	1
5-12	M3530	7/8 in. Grommet	3	-
5-12A	1000576	1/2 in. Grommet (Electrode leads)	3	2
5-13	M5837	Switch Box Cover	1	-
5-14		Deleted	-	-
5-15	M3307	Switch Box	1	-
5-16	M3259	Transformer	1	-
5-16	M3259-1	Transformer	-	1
5-17	M3364	Cowl	1	1
5-18	M3334-8	Tank to Filter Intake Fuel Line Assy	1	1
5-19	M3334-8	Pump to Tank Fuel Line Assy	1	1
5-20	M3973	Filter Assy	1	1
5-21	M4307	Filter Can (Replacement)	1	1
5-22	M3301-1	Filter Element (Replacement)	1	1
5-23	M3301-2	Filter Gasket (Replacement)	1	1
5-24	M3463	Nipple	1	1
5-25	M5842	Street Elbow	1	1
5-26	M3297	Reducing Nipple	1	1
5-27	M6821	Grommet	1	-
5-28		Deleted	-	-
5-29	57413	Street Elbow	1	1
5-30	M3548	Tubing (Over Solenoid Leads)	1	-
5-31	1000577	3/4 in. Grommet	1	1
5-32	M3475	Pump to Burner Fuel Line Assy	1	1
5-33	M3940-1	Pump	1	1
5-34	M3473	Coupling	1	1
5-35	M3547	Fuel Pump Gasket	1	1
5-36	M9754	Motor	1	-
5-36	M9808	Motor	-	1
5-37	M3247	Fan Guard	1	1
5-38	M9928	Fan	1	1
5-39	M9107	Burner Head Assy	1	1
5-40	M9108	Nozzle	1	1
5-41	M4274	Nozzle Spring	1	1
5-42	M3853	Burner Body	1	1
5-43	M3980	Electrode Bushing	2	2
5-44	M3981	Electrode	2	2
5-45	M2294	Elbow	1	1
5-46	M3978	Air Deflector	1	1
5-47	M9758	Combustion Chamber Assy	1	1
5-48	M3286-1	Housing Assy	1	1
5-49	M3291	Access Door	1	1
5-50	M4791-1	Fuel Tank Assy	1	1
5-51	M3353	Filler Cap	1	1
5-52	M9336	Intake and Return Tube Assembly	2	2
5-54	M9817	Pump Support Bracket	1	-
5-54	M3526	Pump Support Bracket	-	1
5-55	M3299	Electrode Lead Assy (For Standard Heaters)	2	-
5-56	M3429-2	Electrode Lead Assy (For CSA Heater)	-	2
5-57	M4037	Thermostat	1	1
5-58	M8001	Thermostat Bracket	1	-
5-59	M3974-1	Solenoid Valve	1	1
5-60	M5653	Combustion Control	5	1
5-61	M3492	Combustion Control Bracket	5	1
5-62	M5654	Flame Detector	5	1
5-63	M5829	Reset Knob	5	1
5-64	M5644	Cover	5	1
5-65	M3307	Junction Box	5	1
5-66	M5652	Spacer	5	1
5-67	M5649	Junction Box Cover	5	1
5-68	M3586	Bushing (With 50460 Lock nut) Junction Box to Control	5	2
5-69	M3587	Duct	-	1
5-70	1000513	Straight Connector (1/4 in. pipe to 1/4 in. Tube)	1	1
5-71	M2739	90° Connector	5	5
5-72	M2738	Straight Connector	5	3
5-73	M5655	Cable Assy, Flame Detector to Combustion Control	5	1
5-74	M3438-10	Conduit, Flame Detector to Combustion Control	-	1
5-75	M3438-11	Conduit, Junction Box to Motor	-	1
5-76	M3438-8	Conduit, Junction Box to Solenoid	-	1
5-77	M3438-12	Conduit, Junction Box to Transformer	-	1
5-78	M5895	Thermal Switch	1	-
5-79	M6190	Spacer	2	-
5-80	M5052-14	Wire Assy No. 1, Thermal Switch to Junction Box	1	-
5-81	M5052-36	Wire Assy No. 2, Thermal Switch to Junction Box	1	-
5-82	M5052-37	Wire Assy No. 3, Thermal Switch to Junction Box	1	-
5-83	M3548	Tubing (Over Thermal Switch Leads)	1	-

§ Optional. Part of Combustion Control Kit, Part No. M5839.

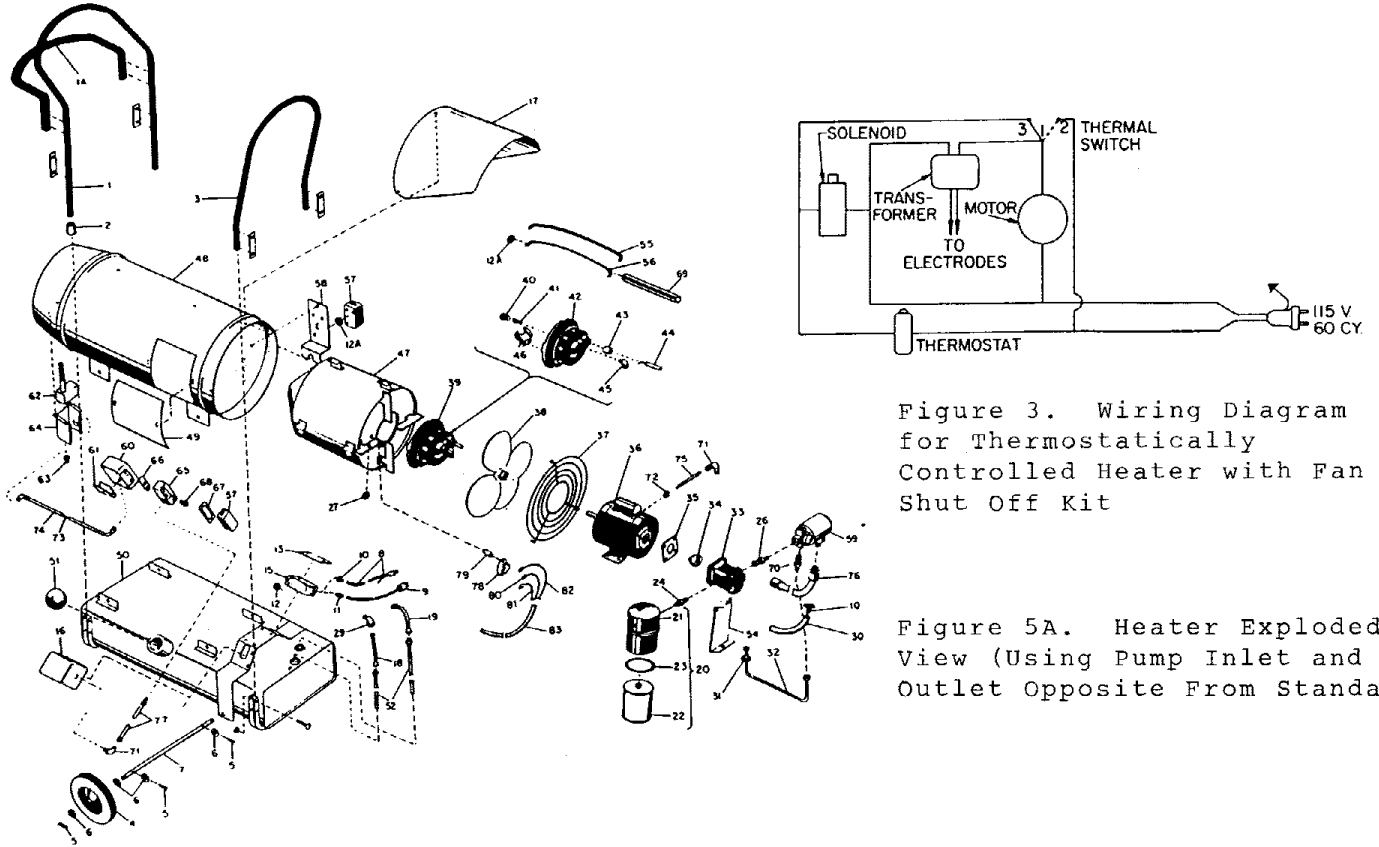


Figure 3. Wiring Diagram for Thermostatically Controlled Heater with Fan Shut Off Kit

Figure 5A. Heater Exploded View (Using Pump Inlet and Out Outlet Opposite From Standard)

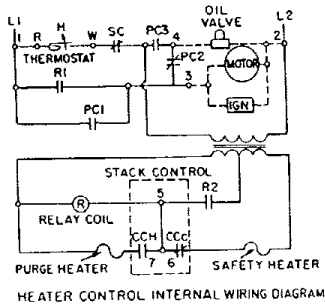


Figure 5. Heater Exploded View (Standard Pump)

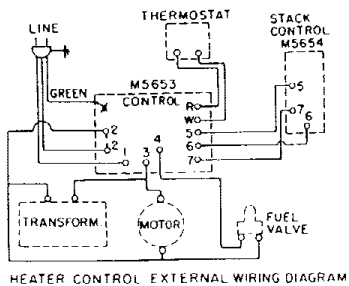


Figure 4. Wiring Diagram Thermostatically Controlled Heater with Combustion Control Unit

