

Form No. 3141

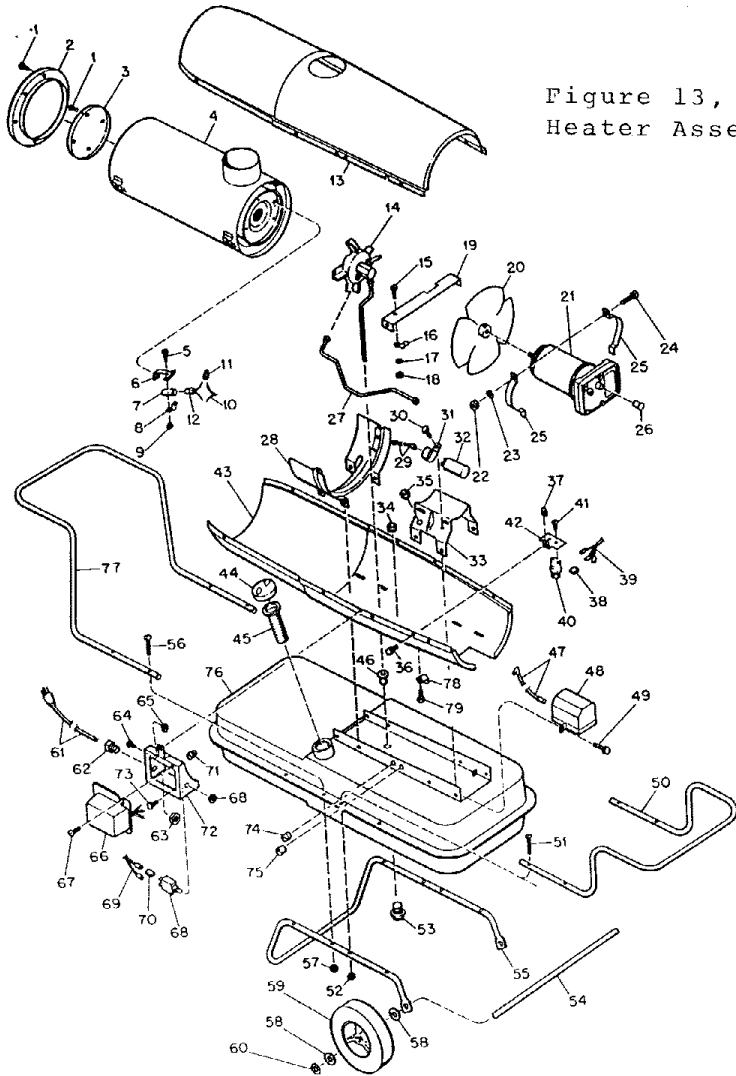


Figure 13,  
Heater Assembly

Index No.	Part Number	Part Name	Qty.
1	M27641-01	Heat Exchanger Assembly	1
	M12461-27	Screw, Rd. hd., 10-32 x 1/2 in. lg.	10
2	M27635-01	Cover Assembly, Heat Exchanger	1
3	M27633-01	Head Assembly, Front	1
4	M27640-01	Heat Exchanger	1
5	M12461-2	Screw, Hex hd., No. 6-32 x 3/8 in.	2
6	M13961A	Bracket, Photo cell	1
7	M13962A	Tube, Photo cell	1
8	M13963A	Clamp, Tube	1
9	NPC-1C	Nut, Plain, 6-32	2
10	M25912-2	Lead Wire, Photo cell	1
11	M15714-2	Connector, Wire	2
12	M23609	Photo cell	1
13	M27983AD	Shell, Upper	1
	M11084-27	Screw, Hex hd., No. 10-12 x 1/2 in. (AP)	8
	M11271-6	Nut, Tinnerman	8
14	M23150-5	Burner Head Assembly	1
	M11084-27	Screw, Hex hd., No. 10-12 x 1/2 in. (AP)	3
15	M12461-27	Screw, Hex hd., No. 10-32 x 1/2 in.	1
16	M24717	Clamp	1
17	WLM-3	Lockwasher	1
18	NPF-3C	Nut, Hex, 10-32	1
19	M27975	Strap, Retainer	1
	M11084-27	Screw, Hex hd., No. 10-12 x 1/2 in. (AP)	2
20	M27982	Fan, 3/4 pitch	1
	SF4-2-1/2K	Setscrew, Socket hd., cup pt., 1/4-28 x 5/16 in. (furnished with fan)	2
21	M17875-8	Motor Package Assembly (For details see figure 15)	1
22	NPC-4C	Nut, Plain hex, 1/4-20 (AP)	2
23	WLM-4	Lockwasher, 1/4 in. (AP)	2
24	HC4-10C	Screw, Hex hd., 1/4-20 x 1-1/4 in. (AP)	2
25	M16661	Clamp, Motor (AP)	4
26	M26046	Cap	1
27	M23753	Air Line	1
28	M12828	Shell Support Bracket	1
29	M16841-20	Wire Assembly, Capacitor	1
30	M11084-27	Screw, Hex hd., No. 10-12 x 3/8 in.	1
31	M12651-1	Clamp Capacitor	1
32	M12650-1	Capacitor	1
33	M16645	Bracket, Motor Support	1
	M11084-27	Screw, Hex hd., No. 10-12 x 1/2 in. (AP)	4
34	1000576	Grommet	2
35	1000577	Grommet	1
36	M11084-27	Screw, Hex hd., 10-12 x 1/2 in. (Relay bracket)	1
37	M11271-6	Nut, Tinnerman	1
38	M25920	Insulator, Terminal	5
39	M16841-21	Wire Assembly, Relay	1
40	M12462-6	Relay, Motor start	1
41	RC2-2C	Screw, Rd. hd., 8-32 x 1/4 in. (AP)	2
42	M11952	Bracket, Relay	1
43	M27285B	Lower Shell Assembly	1
	M11084-27	Screw, Hex hd., 10-12 x 3/8 in. (AP)	4
	M11084-29	Screw, Hex hd., 10-12 x 3/4 in. (AP)	4
44	M23284	Cap, Filler	1
45	M18053	Screen, Filler Neck	1
46	M10990-3	Bushing	1
47	M10816-51	Lead Assembly, Transformer	1
48	M25922	Transformer Assembly	1
49	M11084-27	Screw, Hex hd., 10-12 x 1/2 in. (AP)	2
50	M14243-3	Handle, Rear	1
51	M12345-34	Screw, Oval hd., 10-24 x 2 in. (AP)	4
52	NTC-3C	Nut, Torque Lock No. 10-24 (AP)	4
53	M27417	Drain Plug Assembly	1

Index No.	Part Number	Part Name	Qty.
54	M16801-2	Axle	1
55	M12831-3	Frame, Wheel support	1
56	M12345-34	Screw, Oval hd., 10-24 x 2 in. (AP)	4
57	NTC-3C	Nut, Torque Lock, 10-24	4
58	WP-8C	Washer, Flat, 1/2 in.	4
59	M19295	Wheel	2
60	M28526	Nut, Cap	2
61	M10813-65	Extension Cord Assembly	1
62	M6082	Connector, Straight	1
63	50460	Locknut	1
64	RC3-4C	Screw, Rd. hd., No. 10-24 x 1/2 in. (Ground wire)	1
65	NTC-3C	Nut, Lock No. 10-24 (Ground wire)	1
66	M22082	Control Assembly, Safety	1
67	RF3-4C	Screw, Rd. hd., No. 10-32 x 1/2 in. (AP)	2
68	M27284	Circuit Breaker	1
69	M16841-19	Wire Assy, Circuit Breaker	1
70	M25920	Insulator, Terminal	2
71	M15714-2	Connector, Wire	6
72	M27324-2AD	Control Box Mounting Assembly	1
73	M11084-27	Screw, Hex hd., No. 10-12 x 1/2 in. (AP)	2
74	M25907	Bushing, Snap	1
75	M23611	Bushing, Snap	1
76	M27547-02A	Fuel Tank Assembly	1
77	M14244-3	Handle, Front	1
78	M3570	Clip, Nylon	2
79	M11084-39	Screw, Hex hd., 8-15 x 1/2 in. (AP)	2

Index No.	Part Number	Part Name	Qty.
	M17875-8	Motor Package Assembly	1
1	M16545	. End Cover, Filter	1
2	*M12461-31	. Screw, Hex hd., No. 10-32 x 1 (AP)	4
3	*WLI-3	. Lockwasher, Internal No. 10 (AP)	4
4	M12179	. Intake Air Filter	1
5	M12244-1	. Output Filer Assy	1
6	M11637	. Filter, Lint	1
7	M12233	. Front Cover, Pump (Port plate)	1
8	*M12461-34	. Screw, Hex hd., No. 10-32 x 1-1/2 (AP)	6
9	WLI-3	. Lockwasher, Internal No. 10 (AP)	6

Index No.	Part Number	Part Name	Qty.
10	M8643-3	. Blade, Pump	4
11	M22456-3	. Rotor, Pump	1
12	M22009	. Insert, Rotor	1
13	M8645-3	. Pump Body	1
14	*FHPF3-7C	. Screw (Pump Body to Motor)	2
15	M5976	. Connector, Male	1
16	M22997	. Plug	1
17	M27694	. Screw, Pressure Adjustment	1
18	M10993-1	. Spring, Compression (Pressure Relief)	1
19	M8940	. Ball, 1/4 in. dia.	1
20	M17814-5	. Motor	1

AP Indicates attaching parts.  
\* Standard Hardware. Purchase Locally.

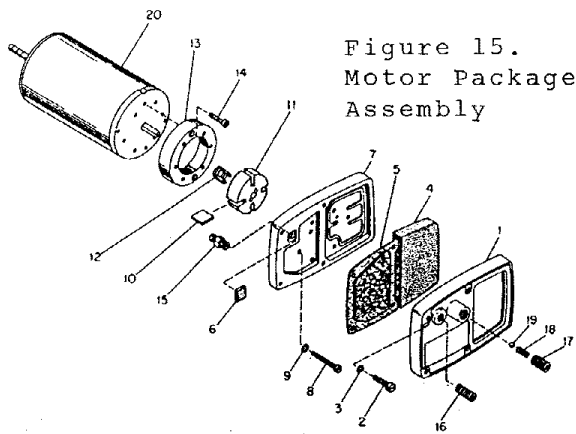


Figure 15.  
Motor Package Assembly

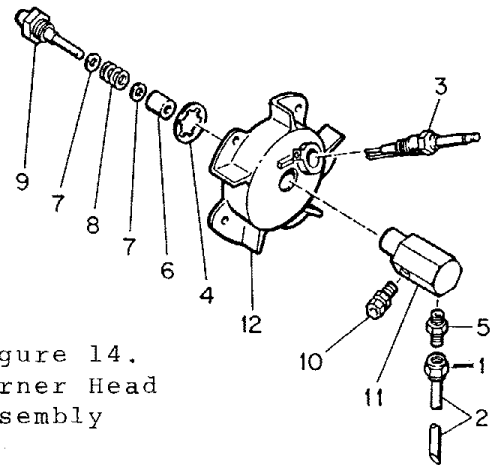


Figure 14.  
Burner Head Assembly

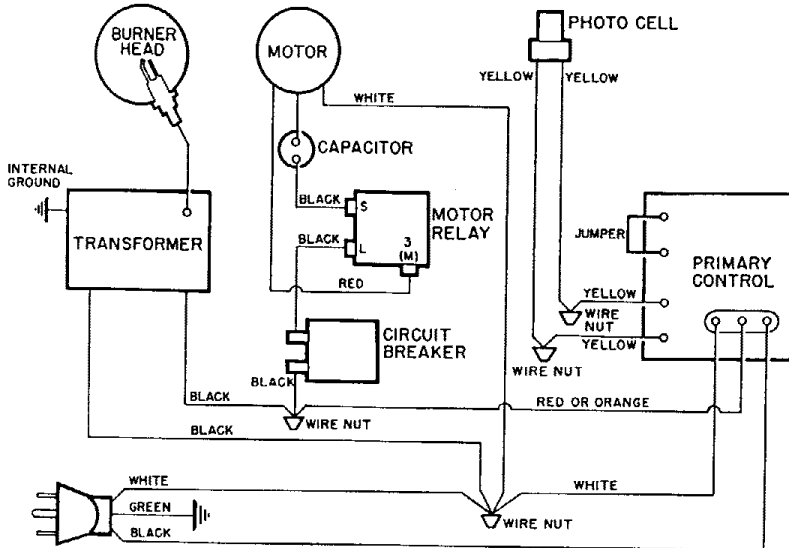


Figure 8. Wiring Diagram

Fig. 14

Index No.	Part Number	Part Name	Qty.
	M23150-5	Burner Head Assembly	Ref
1	M13849	. Nut, Flared	1
2	M16789-9	. Fuel Filter Assembly	1
3	M13031-2	. Spark Plug	1
4	M16741-18	. Ring, Retaining	1
	M23151-3	. Nozzle Adapter Assy	1
5	M5976	. . Connector, Male	1
6	M8882	. . Sleeve, Nozzle Seal	1
7	M10659-1	. . Washer, Nozzle Seal	2
8	M10809-1	. . Spring, Nozzle Seal	1
9	M23103	. . Nozzle, Aspirating	1
10	M16791	. . Connector, Male	1
11	M16535-2	. . Adapter, Nozzle	1
12	M23736	. Body, Burner Head	1

M29936	Decal, Tradename	
M17081	Decal, Atomaster	1
M24809	Decal, Mfg by	1
M25953	Decal, CAUTION	1
M25860	Decal, Wiring	1
M25952	Decal, Operation Instructions	1
M25325	Decal, Reset	1
M4119	Label, CSA	1
57305	Rivet	2
M28648	Decal, Vent Instructions	1
TOUCH-UP PAINT		
M23353-6	Paint, Yellow, Aerosol Can	
M23353-10	Paint, Black, Aerosol Can	
M29189	Regulator, Draft	1