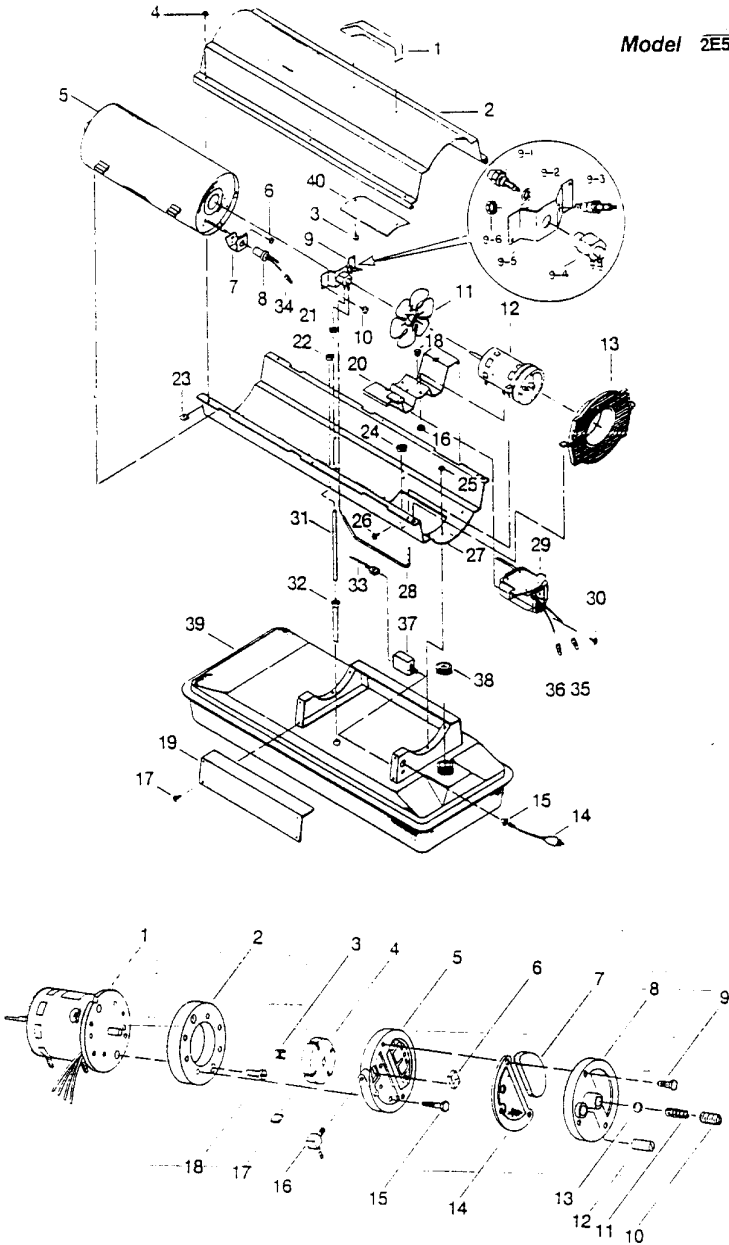
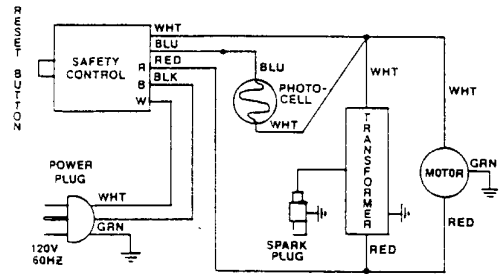


Model 2E510B



1	M51104-01	Handle	1
2	M50901-01AZ	Shell, Upper	1
3	M50589-01	Screw, Handle	2
4	M11084-27	Screw, #10-16 x 1/2	6
5	M50785-06	Combustion Chamber	1
	M50785-04	Combustion Chamber	
6	*	Screw, #6-32 x 3/8	2
7	M16660	Bracket, Photocell	1
8	M16656-9	Photocell Assembly	1
9	+	Burner Assembly	1
9-1	079744-01	Nozzle	1
	M50597	Nozzle	
9-2	M16741-18	Ring, Retainer	1
9-3	M29835-2	Spark Plug	1
9-4	M29805	Adapter, Nozzle	1
9-5	M29615-01	Bracket	1
	M29615-01	Bracket	
9-6	M29824	Nut, 14 mm	1
10	*	Screw, #10-12 x 3/8	2
11	M30884	Fan 7" dia.-1.437	1
12	M29750-05	Motor Package Assembly	1
	M29750-04	Motor Package Assembly	
13	M51105-01	Guard, Fan	1
14	M10813-61	Cord, Power	1
15	M11143-1	Bushing, Strain-Relief	1
16	NTC-4C	Nut, Hex Lock	2
17	*	Screw, #10-12 x 3/8	2
18	M50631	Bumper, Rubber	1
19	M50899-03AA	Cover, Side	2
20	M50784	Bracket, Motor	1
21	M30865-02	Bushing, Transformer Lead	1
22	M25907	Bushing, Photocell wires	1
23	M11271-8	Nut, Clip	6
24	M50104-02	Bushing, Wire	1
25	*	Screw, #10-32 x 3/8	6
26	*	Screw, #8 x 1/4	1
27	M50902-01AZ	Shell, Lower	1
28	M29652-05	Airline, Rubber	1
29	M50570-03	Transformer, 5000 Volt	1
30	M11084-26	Screw, #10-32 x 3/8	2
31	M29652-04	Fuel Line	1
32	M50876-04	Fuel Filter	1
33	M16841-16	Wire, Red	1
34	*	Wire, Nut (Small)	1
35	*	Wire, Nut (Medium)	1
36	*	Wire, Nut (Large)	1
37	M50671-01	Control, Flame Out	1
38	M51027-06	Cap, Fuel (Includes Gasket)	1
39	M50811-04AA	Tank, Fuel	1
	M50811-05AA	Tank, Fuel	
40	M51108-01	Shield, Heat	1

1	M50843-01	Motor	1
2	M8645	Pump Body	1
3	M22009	Insert, Rotor	1
4	M22456-1	Rotor	1
5	M29608	Cover, End Pump	1
6	M29632	Filter, Lint	1
7	M29633	Filter, Intake	1
8	M29609	Filter, End Cover	1
9	M12461-31	Screw, #10-32 x 1	3
10	M27694	Screw, Adjusting	1
11	M10993-1	Spring-Relief	1
12	M22997	Plug	1
13	M8940	Ball, Steel 1/4 dia.	1
14	M29612-01	Filter, Output	1
15	M12461-31	Screw, #10-32 x 1	6
16	M50016	Elbow 90°	1
17	M8643	Blade	4
18	FHPF3-4C	Screw, #10-32 x 1/2	2



Specifications

MODEL	2E510B
Output rating (Btu per hour)	35,000
Fuel	
Fuel tank capacity (U.S. gallons)	3.00
Fuel consumption (approx. U.S. gal. per hour)	0.26
Electric requirements	120 volts
Amperage (during normal run)	2.80
Starting amps	4
Motor RPM	1725
Air output (CFM)	123
Air pump pressure (PSI)	3.00
Shipping weight (approx. lbs.)	42
Heater weight without fuel	35