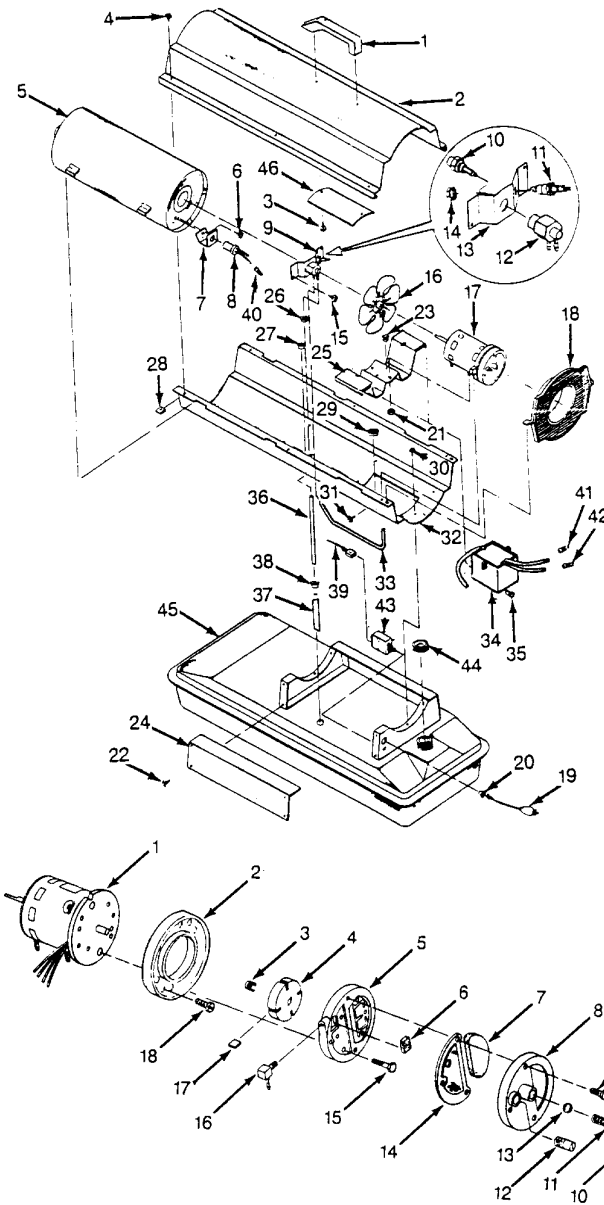
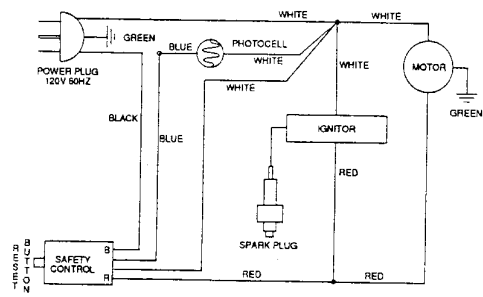


MODELS 2E510C, 2E511B

REF. NO.	DESCRIPTION	PART NO.	2E510C QTY.	2E511B QTY.
1	Handle	M51104-01	1	1
2	Upper shell	098511-34	1	1
3	Screw, #10-16 x 3/4"	M11084-29	2	2
4	Screw, #10-16 x 1/2"	M15823-27	6	6
5	Combustion chamber	098512-05	1	—
6	Screw, #6-32 x 3/8"	098512-13	—	1
7	Photocell bracket	M10908-2	2	2
		M16660	1	1
8	Photocell assembly	M16656-4	1	1
9	Burner assembly	↑	1	1
10	↑	079744-01	1	—
	Nozzle	M50597	—	1
11	Spark plug	M29835-2	1	1
12	Nozzle adapter	079980-01	1	1
13	Bracket	097125-01	1	1
14	Nut, 14mm	M29824	1	1
15	Screw, #10-16 x 3/8"	M11084-26	2	2
16	Fan	M30884	1	1
17	Motor package assembly	↑	1	1
18	Fan guard	M51105-01	1	1
19	Power cord	098219-06	1	1
20	Strain relief bushing	M11143-1	1	1
21	Hex lock nut	NTC-4C	2	2
22	Screw, #10-16 x 3/8"	M11084-26	2	2
23	Rubber bumper	M50631	2	2
24	Side cover	M50899-03AA	1	1
25	Motor bracket	098138-01	1	1
26	Bushing	M30865-02	1	1
27	Bushing	M25907	1	1
28	Clip nut	M11271-8	6	6
29	Bushing (wires)	M50104-02	1	1
30	Screw, #10-16 x 3/8"	M11084-26	6	6
31	Screw, #8-18 x 1/4"	M15823-37	1	1
32	Lower shell	098511-14	1	1
33	Rubber airline	M29652-01	1	1
34	Ignitor	098557-01	1	1
35	Screw, #10-16 x 3/4"	M11084-29	2	2
36	Fuel line	M29652-05	1	1
37	Fuel filter assembly	M50876-04	1	—
	Fuel filter assembly	M50876-02	—	1
38	Rubber bushing	M10990-3	1	1
39	Wire assembly (red, 5')	M16841-16	1	1
40	Wire connector (blue wires)	*	1	1
41	Wire connector (red wires)	*	1	1
42	Wire connector (white wires)	*	1	1
43	Flame out control	M50671-01	1	1
44	Fuel cap (includes gasket)	097702-01	1	1
45	Fuel tank	098513-23	1	—
	Fuel tank	098513-20	—	1
46	Heat shield	M51108-01	1	1



REF. NO.	DESCRIPTION	PART NO.	2E510C QTY.	2E511B QTY.
1	Motor	097073-01	1	1
2	Pump body	079975-01	1	1
3	Insert	M22009	1	1
4	Rotor	M22456-1	1	1
5	End pump cover	M29608	1	1
6	Lint filter	M29632	1	1
7	Intake filter	M29633	1	1
8	End cover filter	M29609	1	1
9	Screw, #10-32 x 1"	M12461-31	3	3
10	Adjusting screw	M27694	1	1
11	Pressure relief spring	M10993-1	1	1
12	Plug	M22997	1	1
13	Steel ball, 1/4" dia.	M8940	1	1
14	Output filter	M29612-01	1	1
15	Screw, #10-32 x 1"	M12461-31	6	6
16	Elbow, 90°	M50016	1	1
17	Blade	M8643	4	4
18	Screw, #10-32 x 1/4"	FHPF3-2C	2	2



Specifications

MODEL	2E510C	2E511B
Output rating (BTUH)	35,000	50,000
Fuel		Kerosene or No. 1 fuel oil
Fuel tank capacity (U.S. gallons)	3.00	4.00
Fuel consumption (approx., U.S. gal. per hour)	0.26	0.37
Electric requirements		120 volts, 60 Hz
Amperage (during normal run)	2.78	2.90
Motor RPM	1725	1725
Hot air output (CFM)	168	166
Air pump pressure (PSI)	3.0	3.6
Shipping weight (approx. lbs.)	38	39
Heater weight without fuel (approx. lbs.)	35	36
Spark plug gap (in.)	.050/.060	.050/.060