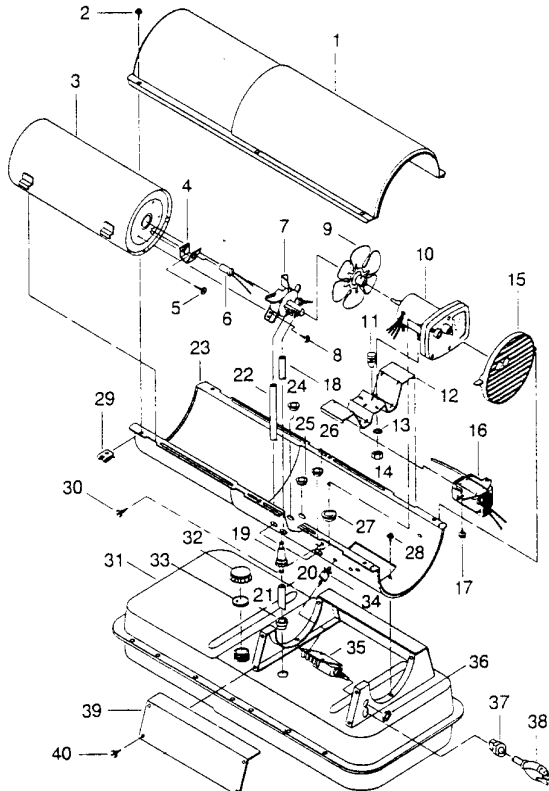


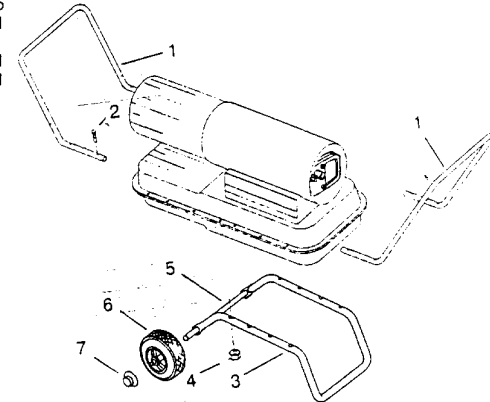
Model 3E218A



1	M51126-01	Burner head assembly	1
2	M51120-01	Nozzle	1
3	M10659-1	Nozzle seal washer	1
4	M10809-1	Nozzle seal spring	1
5	M10659-1	Nozzle seal washer	1
6	M8882	Nozzle sleeve seal	1
7	M50924-03	Burner head body	1
8	M50820-02	Barb fitting	1
9	M50820-02	Barb fitting	1
	M10962-2	Spark plug	1

REF. NO.	PART NO.	DESCRIPTION	QTY.	REF. NO.	PART NO.	DESCRIPTION	QTY.
1	M51072-01AZ	Upper shell	1	10	M23149-14	Motor and pump assembly (See Figure 11 for details)	1
2	M15823-27	Hex head screw #10-16 x 1/2	6	11	M50631	Rubber bumper	2
3	M51075-01	Combustion chamber assembly	1	12	M51074-01	Motor mounting bracket	1
4	M16660	Photo cell bracket	1	13	WLI-4C	Lockwasher 1/4"	2
5	M10908-2	Hex head screw #6-32 x 3/8 (Attaches photo cell bracket to combustion chamber)	2	14	NJC-4C	Hex jam nut	2
6	M16656-10	Photo cell assembly	1	15	M51114-01	Fan guard	1
7	M51126-01	Burner head assembly (See figure for details)	1	16	M50570-04	Transformer, 5000 volt	1
8	M11084-27	Hex head screw #10-16 x 1/2	3	17	M11084-3	Hex head screw #12-14 x 1/2	2
				18	M51345-01	Fuel line	1
				19	M51150-01	Fuel filter	1
				20	M51151-01	Fuel line tube	1
				21	M10990-3	Rubber bushing	1

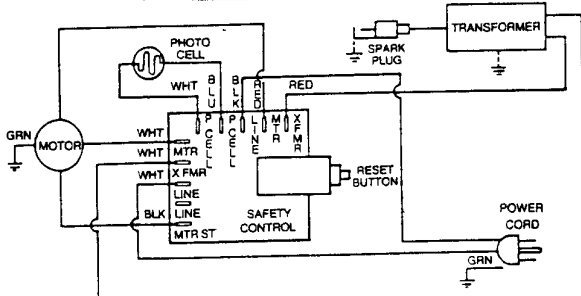
NO.	PART NO.	DESCRIPTION	QTY.	NO.	PART NO.	DESCRIPTION	QTY.
23	M51073-01AZ	Lower shell	1	33	M51002-01	Cap gasket	1
24	M30865-02	Bushing (photo cell wires)	1	34	M51122-01	Circuit board support	3
25	M30865-02	Bushing (transformer lead to spark plug)	1	35	M51060-03	Safety control board, PCB	1
26	M30865-02	Bushing (transformer lead to spark plug)	1	36	M51157-01	Hex nut 12 mm (Secure PCB to brackets)	1
27	M50104-02	Bushing (airline and wires thru shell)	1	37	M11143-1	Strain relief bushing	1
28	M11084-3	Hex head screw #12-14 x 1/2 (Secures lower shell to tank brackets)	6	38	M10813-84	Extension cord assembly	1
29	M11271-8	Clip nut	6	39	M51077-01AA	Side cover	1
30	M15823-37	Grounding screw #8-18 x 1/4	1	40	M11084-3	Hex head screw #12-14 x 1/2	4
31	M51115-01AA	Fuel tank	1				
32	M51000-01	Filler neck cap	1				



NO.	PART NO.	DESCRIPTION	QTY.
1	M15131-5	Front and rear handle	2
2	M12345-33	Oval head screw #10-24 x 1 1/4"	8
3	M12342-3	Wheel support frame	1
4	NTC-3C	Hex nut 10-24, torque lock	8
5	M51015-01	Axle	1
6	M19294	Wheel	2
7	M28526	Cap nut	2

Specifications

MODEL	3E218A
Output rating (Btu per hour)	100,000
Fuel	No. 1 fuel oil
Fuel tank capacity (U.S. gallons)	9.00
Fuel consumption (approx. U.S. gal. per hour)	0.74
Electric requirements	(same all models)
Amperage (during normal run)	5.00
Starting amps	10
Motor RPM	3450
Air output (CFM)	273
Air pump pressure (PSI)	4.00
Shipping weight (approx. lbs.)	64
Heater weight without fuel	55



NO.	PART NO.	DESCRIPTION	QTY.	NO.	PART NO.	DESCRIPTION	QTY.
1	M23149-14	Motor & pump assembly	1	12	M22997	Pipe plug	1
2	M51131-01	Split single phase motor	1	13	M12461-31	Hex head screw #10-32 x 1 in. (Attaches filter end cover to pump end cover)	4
3	M8645	Pump body	1				
4	FHPF3-4C	Screw #10-32 x 1/2	2	14	M12244-1	Output filter assembly	1
5	M22009	Insert	1	15	M12461-32	Hex head screw #10-32 x 1 1/8"	6
6	M22456-1	Pump rotor	1	16	M11637	Lint filter	1
7	M50545	End pump cover	1	17	M50820-02	Barb fitting	1
8	M12179	Intake filter	1	18	M8643	Blade	4
9	M16545	Filter end cover	1				
10	M8940	Steel ball 1/4" dia.	1				
11	M10993-1	Pressure relief spring	1				
	M27694	Adjusting screw	1				