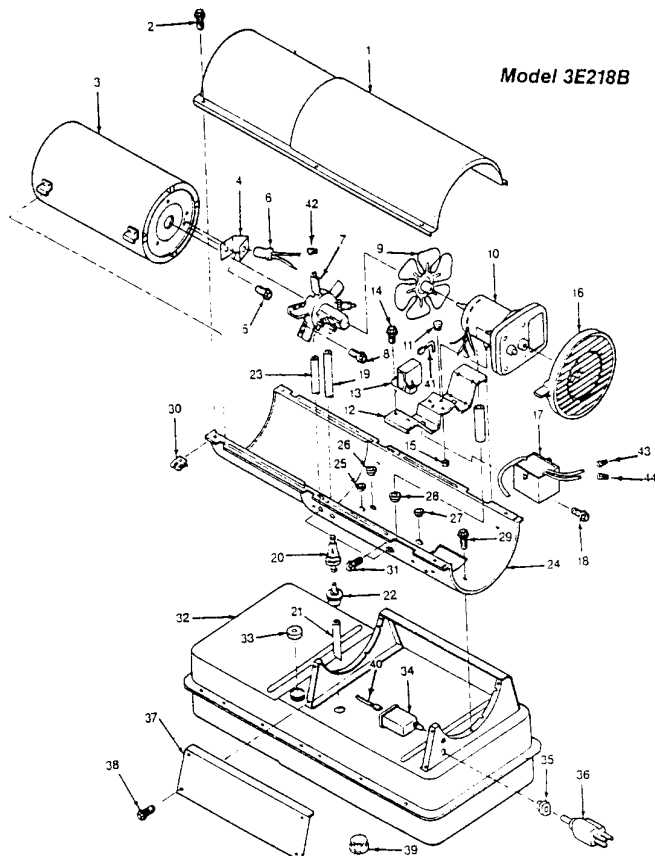


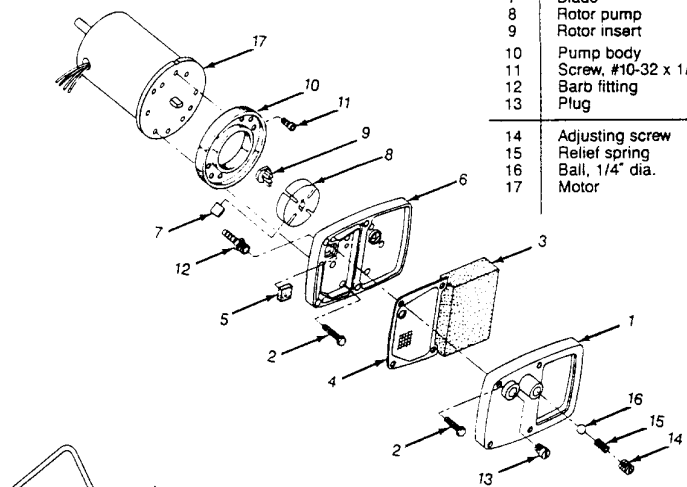
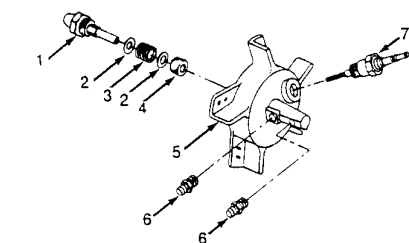
**Model 3E218B**



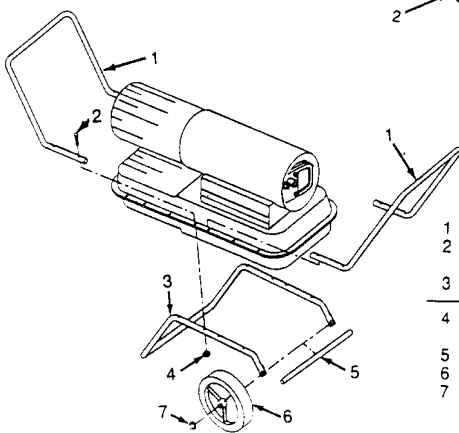
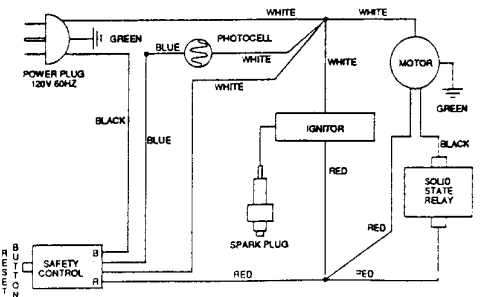
1	Upper shell	098511-64	1
2	Screw, #10-16 x 1/2"	M15823-27	8
3	Combustion chamber assembly	098512-07	1
4	Photozell bracket	M16660	1
5	Screw, #6-32 x 3/8"	M10908-2	2
6	Photozell assembly	M16656-4	1
7	Burner assembly	↑	1
8	Screw, #10-16 x 1/2"	M11084-27	3
9	Fan	M51153-01	1
10	Motor and pump assembly	↑	1
11	Rubber bumper	M50631	2
12	Motor mounting bracket	098138-02	1
13	Solid State relay	097061-01	1
14	Screw, #8-18 x 1/2"	M15823-39	2
15	Hex lock nut	NTC-4C	2
16	Fan guard	M51114-01	1
17	Ignitor	098557-01	1
18	Screw, #10-16 x 3/4"	M11084-29	2
19	Fuel line	M51345-01	1
20	Fuel filter	M51150-01	1
21	Fuel line tube	M51151-01	1
22	Rubber bushing	M10990-3	1
23	Airline	M50814-06	1
24	Lower shell	098511-64	1
25	Bushing	M30865-02	1
26	Bushing	M30865-02	1
27	Bushing	M30865-02	1
28	Bushing	M50104-02	1
29	Screw, #10-16 x 1/2"	M11084-27	6
30	Clip nut	M11271-8	8
31	Screw, #8-18 x 1/4"	M15823-37	1
32	Fuel tank	098513-21	1
33	Fuel cap (includes gasket)	097702-01	1
34	Flame out control	M50671-01	1
35	Strain relief bushing	M11143-1	1
36	Power cord	098219-07	1
37	Side cover	M51077-01AA	1
38	Screw, #10-16 x 1/2"	M11084-27	4
39	Drain plug (includes O-ring)	M27417	1
40	Wire assy (red, 6")	M16841-16	1
41	Wire assy (red, 14 1/2")	079010-06	1

1	Nozzle	M51120-01	1
2	Nozzle washer	M10659-1	2
3	Nozzle spring	M10809-1	1
4	Nozzle sleeve	M8882	1
5	Burner head body	M50924-03	1
6	Barb fitting	M50820-02	2
7	Spark plug	M10962-2	1

1	End filter cover	M16545	1
2	Screw, #10-32 x 1"	M12461-31	10
3	Intake filter	M12179	1
4	Output filter	M12244-1	1
5	Lint filter	M11637	1
6	End pump cover	M50545	1
7	Blade	M8643	4
8	Rotor pump	M22456-1	1
9	Rotor insert	M22009	1
10	Pump body	079975-01	1
11	Screw, #10-32 x 1/4"	FHPF3-2C	2
12	Barb fitting	M50820-02	1
13	Plug	M22997	1
14	Adjusting screw	M27694	1
15	Relief spring	M10993-1	1
16	Ball, 1/4" dia.	M8940	1
17	Motor	097134-01	1



MODEL	3E218B
Output rating (BTUH)	100,000
Fuel	
Fuel tank capacity (U.S. gallons)	9.00
Fuel consumption (approx., U.S. gal. per hour)	0.74
Electric requirements	120 volts, 60 Hz
Amperage (during normal run)	5.50
Motor RPM	3450
Hot air output (CFM)	481
Air pump pressure (PSI)	4.0
Shipping weight (approx. lbs.)	65
Heater weight without fuel (approx. lbs.)	55
Spark plug gap (in.)	.050/.060



1	Front and rear handle	HA2203	2
2	Oval head screw, #10-24 x 1 3/4"	M12345-33	8
3	Wheel support frame	M12342-3	1
4	Hex nut, 10-24, torque lock	NTC-3C	8
5	Axle	M51015-01	1
6	Wheel	097896-01	2
7	Cap nut	M28526	2