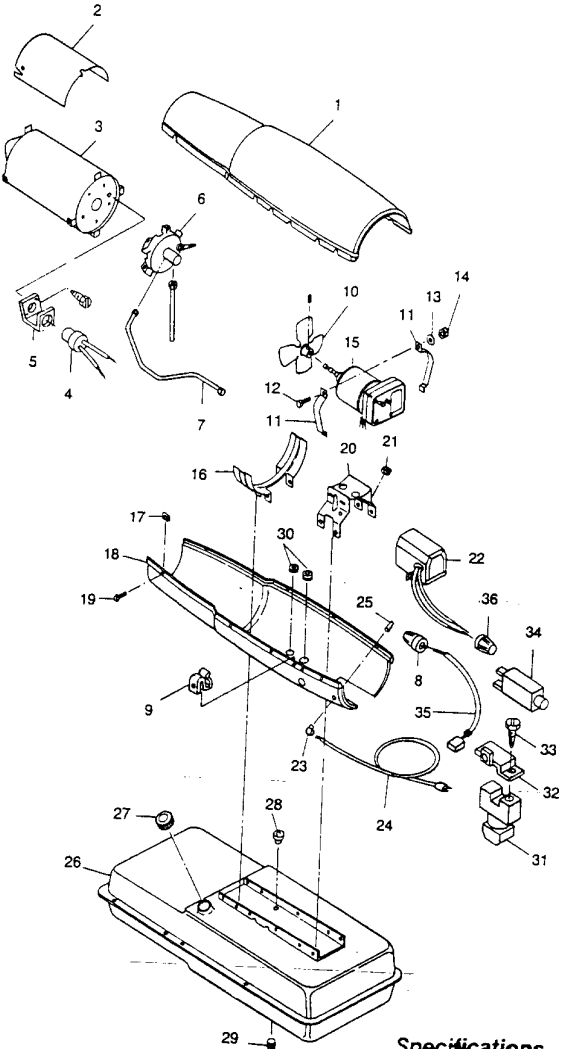
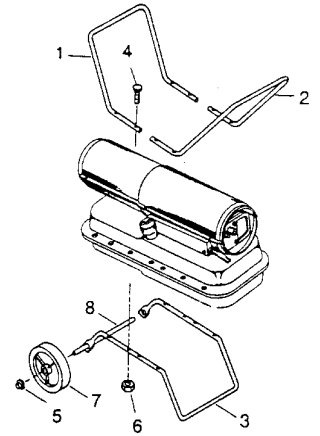


MODEL 3E219



REF. NO.	PART NO.	DESCRIPTION	QTY.	REF. NO.	PART NO.	DESCRIPTION	QTY.
1	M17014AZ	Upper shell	1	20	M16645	Motor support bracket	1
2	M16679	Heat deflector	1	21	1000577	Grommet	1
3	M16887-6	Combustion chamber	1	22	M16697-02	Transformer, 5000 volt	1
4	M16656-4	Photo cell assembly	1	23	M11143-1	Strain relief bushing	1
5	M16660	Photo cell bracket	1	24	M10813-74	Power cord	1
	M10908-2	Screws, #6-32 x 3/7	2	25	M13942-6	Wire connector	1
		(holds photo cell bracket to combustion chamber)		26	M51011-01AA	Fuel tank assembly	1
6	M16803-8	Burner head assembly (See Figure 8 for parts detail)	1	27	M51000-01	Fuel cap	1
				28	M51002-01	Gasket (fuel cap)	1
7	M50814-03	Airline tubing (Neoprene)	1	29	M10990-3	Bushing	1
8	M13942-5	Wire connector	1	30	M27417	Drain plug	1
9	M50873-01	Airline clip	2	31	1000576	Grommet	2
10	M17058	Fan	1	32	M12462-17	Motor start relay	1
11	M16661	Motor clamp	4	33	M25296-1	Safety control bracket	1
12	M51043-01	Hex head screw 1/4-20 x 1 1/2	2	34	M11084-27	Hex head screw #10-16 x 1/2	1
13	WLM-4	Lockwasher 1/4" dia.	2	35	M28898-03	Flame-out control	1
14	NPC-4C	Hex nut 1/4-20	2	36	M16841-40	Wire assembly (red)	2
15	M17875-14	Motor assembly (See Figure 7 for parts detail)	1		M13942-7	Wire connector	1
16	M12828	Shell support bracket	1				
17	M11271-6	Clip cut	6				
18	M16810AZ	Lower shell	1				
19	M11084-27	Hex head screw #10-16 x 1/2	6				

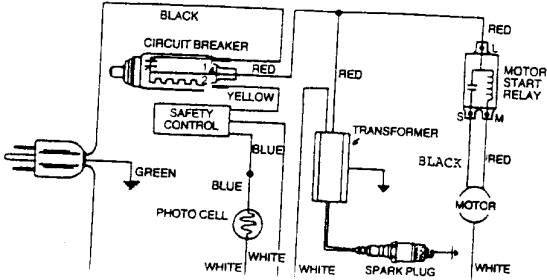
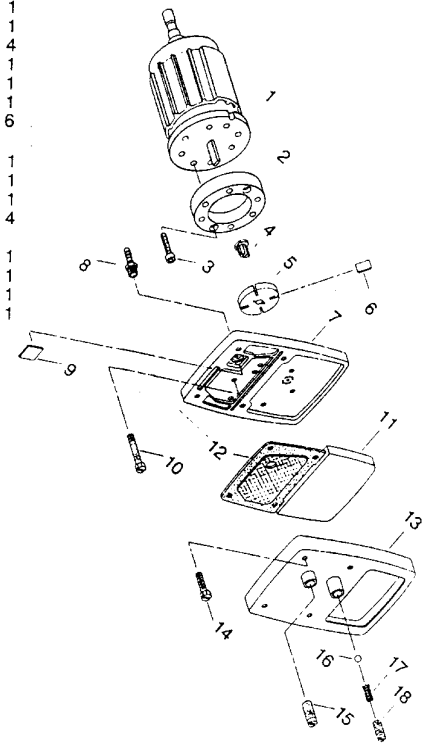
1	M15813-3	Front handle	1
2	M15813-3	Rear handle	1
3	M12831-3	Wheel support frame	1
4	M12345-33	Oval head screw 10-24 x 1 1/4"	8
5	M28526	Cap nut	2
6	NTC-3C	Torque, lock nut #10-24	8
7	M19294	Wheel	2
8	M16801-2	Axle	1



Specifications

MODEL	3E219
Output rating (Btu per hour)	150,000
Fuel	
Fuel tank capacity (U.S. gallons)	13.50
Fuel consumption (approx. U.S. gal. per hour)	1.10
Electric requirements	
Amperage (during normal run)	5.00
Starting amps	10
Motor RPM	3450
Air output (CFM)	538
Air pump pressure (PSI)	5.00
Shipping weight (approx. lbs.)	94
Heater weight without fuel	77

REF. NO.	PART NO.	DESCRIPTION	QTY.
	M17875-14	Motor & pump assembly complete	—
1	M50450-01	Motor	1
2	M8645-3	Pump body	1
3	FHPF3-7C	Screw, #10-32 x 7/8	2
4	M22009	Insert	1
5	M22456-3	Pump motor	1
6	M8643-3	Pump blade	4
7	M50545	End pump cover	1
8	M50817-01	Fitting barb	1
9	M11637	Lint filter	1
10	M12461-34	Hex head screw #10x32 x 1 1/2	6
11	M12179	Air intake filter	1
12	M12244-1	Output filter assembly	1
13	M16545	Filter end cover	1
14	M12461-31	Hex head screw #10-32 x 1	4
15	M22997	Solid plug	1
16	M8940	Ball, 1/4" dia.	1
17	M10993-1	Compression spring	1
18	M27694	Pressure adjustment screw	1



1	M18022	Nozzle, 1.1 GPH	1
2	M10659-1	Nozzle seal washer	2
3	M10809-1	Nozzle seal spring	1
4	M8882	Nozzle seal sleeve	1
5	M16741-18	Retaining ring	1
6	M23090	Burner head body	1
7	M10962-2	Spark plug	1
8	M16535	Nozzle adapter	1
9	M50817-01	Barb fitting	1
10	M16791	Male connector	1
11	M19630	Fuel filter	1
12	M16790-12	Tube filter, fuel line	1
13	M13849	Nut flare	1