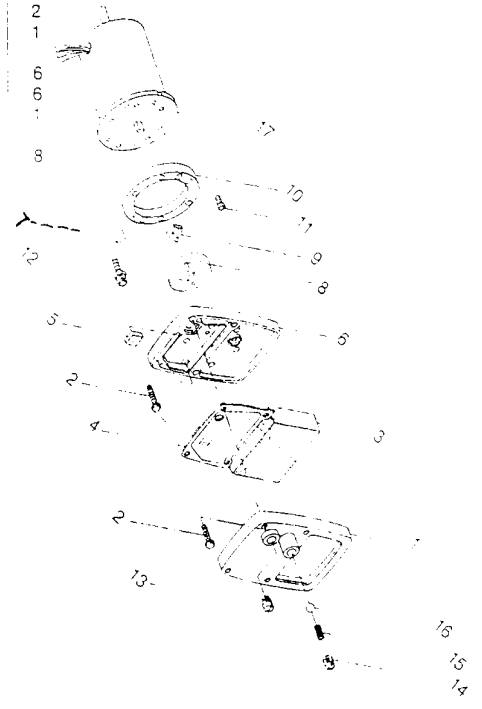


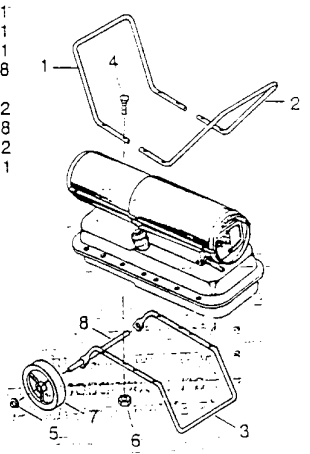
Model 3E219A

- | | | | | | | |
|----|-----------|--|----|-------------|---|---|
| 1 | M17014AZ | Shell, Upper | 26 | M11084-29 | Screw, #1-16 x 3/4 | 2 |
| 2 | M16679 | Deflector, Heat | 27 | 1000576 | Grommet Leads Thru Lower Shell | 2 |
| 3 | M16887-6 | Chamber, Combustion, Assembly | 28 | M50671-01 | Control, Safety | 1 |
| 4 | M11084-27 | Screw, hex Hd., 10-16 x 1/2 | 29 | M12462-17 | Relay, Motor Start | 1 |
| 5 | M11084-29 | Screw, 10-16 x 3/4 | 30 | M16645 | Bracket, Motor Support | 1 |
| 6 | M16656-4 | Photocell Assembly | 31 | 1000577 | Grommet | 2 |
| 7 | M16660 | Bracket, Photocell | 32 | M11084-27 | Screw, #10-16 x 1/2 (Grounding) | 1 |
| 8 | M10908-2 | Screw, Hex Hd., 6-32 x 3/4 | 33 | M16697-02 | Transformer, 5000 Volt | 1 |
| 9 | | Burner Head Assembly (See Figure 9 for Details) | 34 | 11084-27 | Screw, #10-16 x 1/2 | 2 |
| 10 | M11084-27 | Screw, Hex Hd., 10-16 x 1/2 | 35 | M11143-1 | Bushing, Strain Relief | 1 |
| 11 | M50814-03 | Airline, Tubing | 36 | 079218-03 | Cord, Power | 1 |
| 12 | M50873-01 | Clip, Airline | 37 | RC2-2C | Screw, Rd. Hd., 8-32 x 1/4 | 2 |
| 13 | M16841-16 | Wire Assembly (red) | 38 | M51011-01AA | Tank, Fuel | 1 |
| 14 | M11084-27 | Screw, #10-16 x 1/2 | 39 | M51027-06 | Cap, Fuel | 1 |
| 15 | M17058 | Fan | 40 | M10990-3 | Bushing, Rubber, Fuel Line Into Fuel Tank | 1 |
| 16 | | Motor & Pump Assembly (See Figure 7 for Details) | 41 | M27417 | Plug, Drain, Includes "O" Ring | 1 |
| 17 | M16661 | Clamp, Motor | 42 | M25296-1 | Bracket, Relay | 1 |
| 18 | M51043-01 | Screw, Motor Clamp, 1/4-20 x 1 1/2 | 43 | M11084-27 | Screw, #10-16 x 1/2 | 1 |
| 19 | WLM-4C | Lockwasher 1/4 in. | 44 | M11084-27 | Screw, #10-16 x 1/2 | 1 |
| 20 | NPC-4C | Nut, Hex 1/4-20 | | | | |
| 21 | M16810AZ | Shell, Lower | | | | |
| 22 | M11084-27 | Screw, Hex Hd., 10-16 x 1/2 | | | | |
| 23 | M11271-5 | Nut, Clip | | | | |
| 24 | M12828 | Bracket, Shell Support | | | | |
| 25 | M11084-27 | Screw, Hex Hd., 10-16 x 1/2 | | | | |
| 1 | M16545 | End Cover, Filter | 1 | | | |
| 2 | M12461-31 | Screw, Hex Hd., 10-32 x 1 | 10 | | | |
| 3 | M12179 | Filter, Air, Intake | 1 | | | |
| 4 | M12244-1 | Filter Assembly, Output | 1 | | | |
| 5 | M11637 | Filter, Lint | 1 | | | |
| 6 | M50545 | Cover, End Pump | 1 | | | |
| 7 | M8643 | Blade, Pump | 4 | | | |
| 8 | M22456-1 | Rotor, Pump | 1 | | | |
| 9 | M22009 | Insert, Hold Rotor To Motor Shaft | 1 | | | |
| 10 | M8645 | Body, Pump | 1 | | | |
| 11 | FHPF3-4C | Screw, 10-32 x 1/2 | 2 | | | |
| 12 | M50817-01 | Fitting, Barb | 1 | | | |
| 13 | M22997 | Plug, Pipe | 1 | | | |
| 14 | M27694 | Screw, Pressure Adjustment | 1 | | | |
| 15 | M10993-1 | Spring, Compression Pressure | 1 | | | |
| 16 | M8940 | Bail, 1/4 in. Dia. | 1 | | | |
| 17 | M51159-01 | Motor, with relay | 1 | | | |



- | | | | |
|----|-----------|---------------------------|---|
| 1 | M16790-12 | Tube, Filter, (Fuel Line) | 1 |
| 2 | M19630 | Filter, Fuel | 1 |
| 3 | M50660-05 | Nut, Flared | 1 |
| 4 | 079685-01 | Connector, Male | 1 |
| 5 | M50817-01 | Fitting, Barb | 1 |
| 6 | M8882 | Sleeve, Nozzle Seal | 1 |
| 7 | M10659-1 | Washer, Nozzle | 2 |
| 8 | M10809-1 | Spring, Nozzle Seal | 1 |
| 9 | M18022 | Nozzle, 1.1 GPH | 1 |
| 10 | M10962-2 | Spark Plug | 1 |
| 11 | M50924-01 | Body, Burner Head | 1 |

- | | | | |
|---|-----------|--------------------------------|---|
| 1 | M15813-3 | Front handle | 1 |
| 2 | M15813-3 | Rear handle | 1 |
| 3 | M12831-3 | Wheel support frame | 1 |
| 4 | M12345-33 | Oval head screw 10-24 x 1 1/4" | 8 |
| 5 | M28526 | Cap nut | 2 |
| 6 | NTC-3C | Torque, lock nut #10-24 | 8 |
| 7 | M19294 | Wheel | 2 |
| 8 | M16801-2 | Axle | 1 |



Specifications

MODEL	3E219A
Output rating (Btu per hour)	150,000
Fuel	
Fuel tank capacity (U.S. gallons)	13.50
Fuel consumption (approx. U.S. gal. per hour)	1.10
Electric requirements	
Amperage (during normal run)	5.00
Starting amps	10
Motor RPM	3450
Air output (CFM)	538
Air pump pressure (PSI)	5.00
Shipping weight (approx. lbs.)	94
Heater weight without fuel	77

