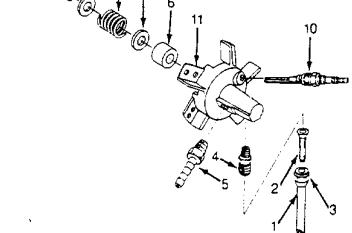


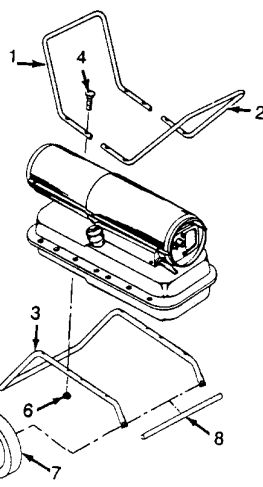
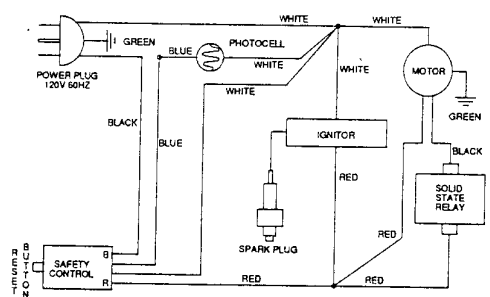
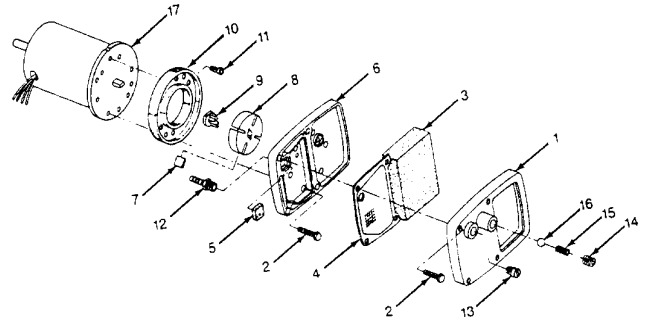
MODEL 3E219B

1	Upper shell	098511-35	1
2	Heat deflector	098068-01	1
3	Combustion chamber assembly	098512-02	1
4	Screw, #10-16 x 3/4"	M11084-29	2
5	Screw, #10-16 x 3/4"	M11084-29	2
6	Photocell assembly	M16656-4	1
7	Photocell bracket	M16660	1
8	Screw, #6-32 x 3/8"	M10908-2	2
9	Burner head assembly,	†	1
10	Screw, #10-16 x 1/2"	M11084-27	3
11	Airline tubing	M50814-03	1
12	Airline clip	M50873-01	9
13	Wire assembly (red, 6")	M16841-16	2
14	Screw, #10-16 x 1/2"	M11084-27	1
15	Fan	M17058	1
16	Motor & pump assembly,	†	1
17	Motor clamp	M16661	4
18	Bolt, #1/4-20 x 1 1/2"	M51043-01	2
19	Lockwasher, 1/4"	WLM-4	2
20	Hex nut, 1/4-20	NPC-4C	2
21	Lower shell	098511-27	1
22	Screw, #10-16 x 1/2"	M11084-27	6
23	Clip nut	M11271-8	7
24	Shell support bracket	M12828	1
25	Screw, #10-16 x 1/2"	M11084-27	8
26	Screw, #10-16 x 3/4"	M11084-29	2
27	Shorty bushing	M50104-03	2
28	Safety control	M50671-01	1
29	Solid State relay	097061-01	1
30	Screw, #8-18 x 1/2"	M15823-39	2
31	Solid State relay bracket	097060-01	1
32	Screw, #10-16 x 1/2"	M11084-27	1
33	Motor support bracket	M16645	1
34	Open/Closed bushing	M30865-04	1
35	Ignitor	098557-01	1
36	Screw, #10-16 x 3/4"	M11084-29	2
37	Strain relief bushing	M11143-1	1
38	Power cord	098249-07	1
39	Fuel tank	098513-08	1
40	Fuel cap	097702-01	1
41	Rubber bushing,	M10990-3	1
42	Screw, #10-16 x 1/2"	M11084-27	2
43	Screw, #10-16 x 1/2"	M11084-27	2
44	Drain plug, includes O-ring	M27417	1
45	Wire connector (blue wires)	•	1
46	Wire connector (red wires)	•	1
47	Wire connector (white wires)	•	1

099896-d3



1	Fuel line	M16790-12	1
2	Screen fuel filter	M19630	1
3	Flare nut	M50650-05	1
4	Male connector	079685-01	1
5	Barb fitting	M50820-02	1
6	Nozzle seal	M8882	1
7	Nozzle washer	M10659-1	2
8	Nozzle spring	M10809-1	1
9	Nozzle, 1.1 GPH	M18022	1
10	Spark plug	M10962-2	1
11	Burner head body	M50924-01	1



1	End filter cover	M16545	1
2	Screw, #10-32 x 1"	M12461-31	10
3	Intake filter	M12179	1
4	Output filter	M12244-1	1
5	Lint filter	M11637	1
6	End pump cover	M50545	1
7	Blade	M8643	4
8	Rotor pump	M22456-1	1
9	Rotor insert	M22009	1
10	Pump body	079975-01	1
11	Screw, #10-32 x 1/4"	FHPF3-2C	2
12	Barb fitting	M50820-02	1
13	Plug	M22997	1
14	Adjusting screw	M27694	1
15	Relief spring	M10993-1	1
16	Ball, 1/4" dia.	M8940	1
17	Motor	097126-01	1

MODEL	3E219B
Output rating (BTUH)	150,000
Fuel	
Fuel tank capacity (U.S. gallons)	13.50
Fuel consumption (approx., U.S. gal. per hour)	1.10
Electric requirements	120 volts, 60 Hz (same all models)
Amperage (during normal run)	5.00
Motor RPM	3450
Hot air output (CFM)	648
Air pump pressure (PSI)	5.0
Shipping weight (approx. lbs.)	80
Heater weight without fuel (approx. lbs.)	77
Soak time (in.)	.070/.080

1	Front handle	HA2204	1
2	Rear handle	HA2204	1
3	Wheel support frame	M12831-3	1
4	Oval head screw, 10-24 x 1 1/4"	M12345-33	8
5	Cap nut	M28526	2
6	Torque, lock nut #10-24	NTC-3C	8
7	Wheel	097896-01	2
8	Axle	M16801-2	1