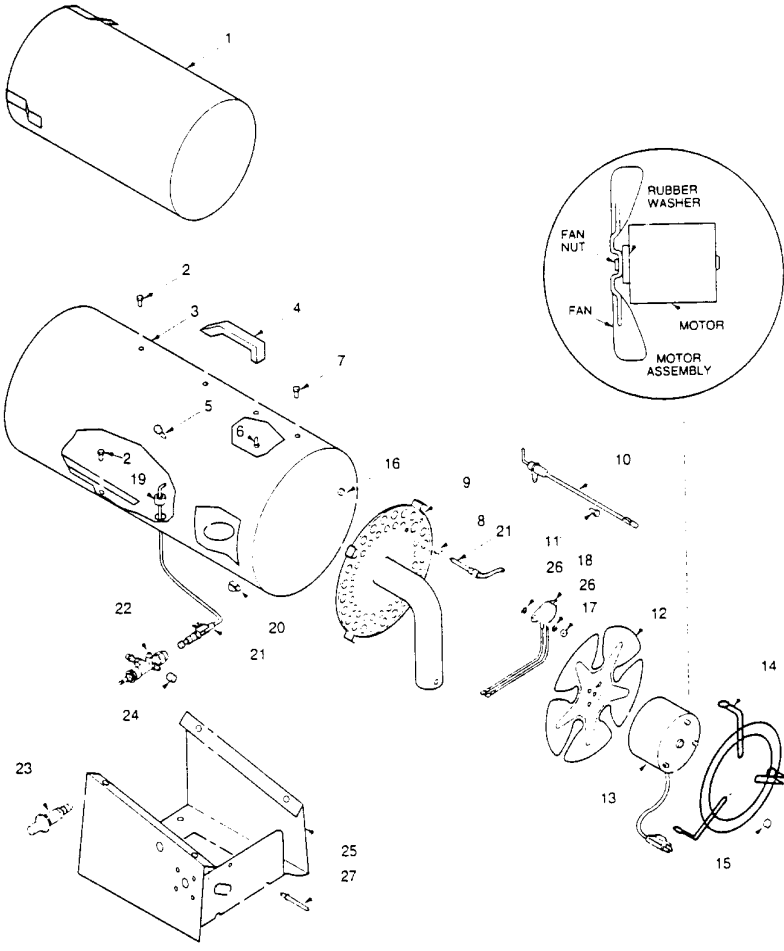


101427-01
Rev. A 9/94

Model 4E769B Propane Construction Heater



1	Inner Shell (Combustion Chamber)	099568-01	1
2	#10-16 x 3/8" Hex Tap Screw	*M11084-26	7
3	Outer Shell	099599-01AZ	1
4	Handle	M51104-01	1
5	Hex Tap Shoulder Screw	099230-01	4
6	#10-16 x 3/4" Hex Tap Screw	*M11084-29	2
7	#12-14 x 1/2" Hex Tap Screw	*M11084-3	3
8	Thermocouple Clip	099237-01	1
9	Burner Assembly	099727-01	1
10	Electrode Ignitor	099539-01	1
11	#8-18 x 3/8" Hex Tap Screw	*M11084-38	1
12	Fan	099537-01	1
13	Motor Assembly (Includes Rubber Washer and Fan Nut)	099521-01	1
14	Fan Guard	099540-01	1
15	Captive Washer Nut	097384-02	3
16	#4-40 x 1/2" Hex Screw	*097968-05	2
17	#4-40 Hex Nut	*NPC-00C	2
18	Thermal Switch Kit	101732-02	1
19	Universal Bushing	097776-01	1
20	Wire Clip	099542-01	1
21	Thermocouple	099538-01	1
22	Valve/Orifice Assembly	099728-01	1
23	Piezo Ignitor	097159-02	1
24	Sleeve Cap	078978-03	1
25	Base	099598-01AA	1
26	#4 Lock Washer	*100397-01	4
27	1/8" Steel Rivet	*099202-02	1
Δ	Tradename Decal	100163-03	1
Δ	Tradename Decal	100163-04	1
Δ	General Information Decal	099548-05	1
Δ	Operation Decal	099666-01	1
Δ	LP Warning Decal	079663-01	1
Δ	Notice Decal	099672-01	1
Δ	Hose/Regulator Assembly	LPA3090	1

Specifications

ELECTRICAL SPECIFICATIONS

Model	Electrical Input	Amperage
4E769B	120 Volt/60Hertz	2

GENERAL SPECIFICATIONS

Model	Output Rating BTU/Hr	Fuel	Fuel Consumption	Size L x W x H (Inches)	Regulator Outlet Pressure	Weight (pounds)
4E769B	35,000	Propane Vapor Only	.38 Gallons/Hour 1.6 Pounds/Hour	18.5 x 7.7 x 12.8	11" WC	14.5 (Heater) 16 (Shipping)

GENERAL SPECIFICATIONS (CONT.)

Model	Manifold Pressure	Hot Air Output (CFM Approx)	Ignition	Supply Pressure To Regulator	Temperature Range For Operating Heater	Motor
4E769B	10.8" WC	175	Manual Piezo	10 PSI Minimum (for purposes of input adjustment) Tank Pressure or 200 PSI Maximum	-20° F to 85° F*	2735 RPM

Accessories

10' Rubber Hose with Brass Fitting U.L. listed.	LPA1020
15' Rubber Hose with Brass Fitting U.L. listed.	LPA1030
Propane Gas Regulator U.L. listed.	LPA2110
Hose/Regulator Assembly U.L. listed.	LPA3090
Fuel Gas Connector	LPA4020
Connects regulator to all standard propane tanks. U.L. and A.G.A. listed.	
Tank Stabilizer	LPA5000