

GAS CONSTRUCTION HEATER

Illustrated Parts List

VLP150

IMPORTANT: Do not use key numbers when ordering service parts. Always order components by part number and description. Include model and serial numbers.

KEY NO.	PART NO.	DESCRIPTION	QTY.	KEY NO.	PART NO.	DESCRIPTION	QTY.
1	M15823-27	Screw, #10 - 16 x 1/2"	6	40	M11143-1	Strain Relief Bushing	1
2	M51104-01	Handle	1	41	099896-05	Power Cord	1
3	098511-119	Upper Shell (With 8 Screw)	1	42	078978-01	Sleeve Cap	1
4	M51108-01	Heat Shield	1	43	M51584-01	Terminal Board	1
5	M11084-29	Screw, #10 - 16 x 3/4"	2	44	079147-01	Air Switch Assembly	1
6	098512-04	Combustion Chamber	1	45	FHC00-6C	Screw, #4 - 40 x 3/4"	2
7	M29824	Nut, 14MM	1	46	NPC-00C	Nut, 4 - 40	2
8	M51580-01	Flame Sensor	1	47	*	Air Switch Bracket	1
9	M10908-2	Screw, #6 - 32 x 3/8"	1	48	**	Wire Assembly (Black, 10")	1
10	M11084-26	Screw, #10 - 16 x 3/8"	2	49	**	Wire Assembly (White, 6")	1
11	078980-01	Nozzle Assembly (Includes Bracket & Retaining Ring)	1	50	**	Wire Assembly (Orange, 14")	1
12	M11084-38	Screw, #8 - 18 x 3/8"	1	51	**	Wire Assembly (Black, 6")	1
13	M11084-27	Screw, #10 - 16 x 1/2"	16	52	**	Wire Assembly (Black, 8")	1
14	M23147	Fan	1	53	**	Wire Assembly (Black, 15")	2
15	099131-01	Motor	1	54	**	Wire Assembly (Red, 14")	1
16	M51114-01	Fan Guard	1	55	**	Wire Assembly (Green/Yellow, 6")	1
17	M29835	Spark Plug	1	56	M51572-02	Male Connector	1
18	078966-01	Ignition Cable	1	PARTS AVAILABLE - NOT SHOWN			
19	M15823-37	Screw, #8 - 18 x 1/4"	2		079718-02	Tradename Decal	2
20	M12461-13	Screw, #8 - 32 x 1/4"	2		078950-03	General Information Decal	1
21	098138-02	Motor Bracket Assembly	1		LPA3020	Regulator and Hose Assembly (Includes P.O.L. Adapter)	1
22	M50631	Rubber Bumper	2		LPA2000	Regulator Valve	1
23	098511-118	Lower Shell (With 8 Screw)	1		LPA1010	Hose Assembly	1
24	M25907	Snap Bushing	3		098511-102	Upper and Lower Shells (Replace Shells Which Have 6 Screws)	1
25	097776	Shorty Bushing	2		LPA4020	Excess Flow P.O.L. Adapter	1
26	NTC-4C	Hex Jam Nut	2	OPTIONAL ACCESSORIES			
27	098165-01	Relay	1		HA1200	Hang-up Thermostat	1
28	M11271-8	Clip Nut	6				
29	M51569-01	Fuel Tube	1				
30	079007-06	Screw, #6 - 20 x 7/8"	2				
31	M15823-39	Screw, #8 - 15 x 1/2"	2				
32	M51605-01	D.S.I. Control	1				
33	079473-01	Solenoid Valve	1				
34	M51077-01AA	Side Cover	2				
35	**	Nut, 1/4 - 20	6				
36	*	Lower Shell Cradle	1				
37	*	Base	1				
38	098226-01	On/Off Switch	1				
39	**	Bolt, 1/4 - 20 x 3/8"	4				

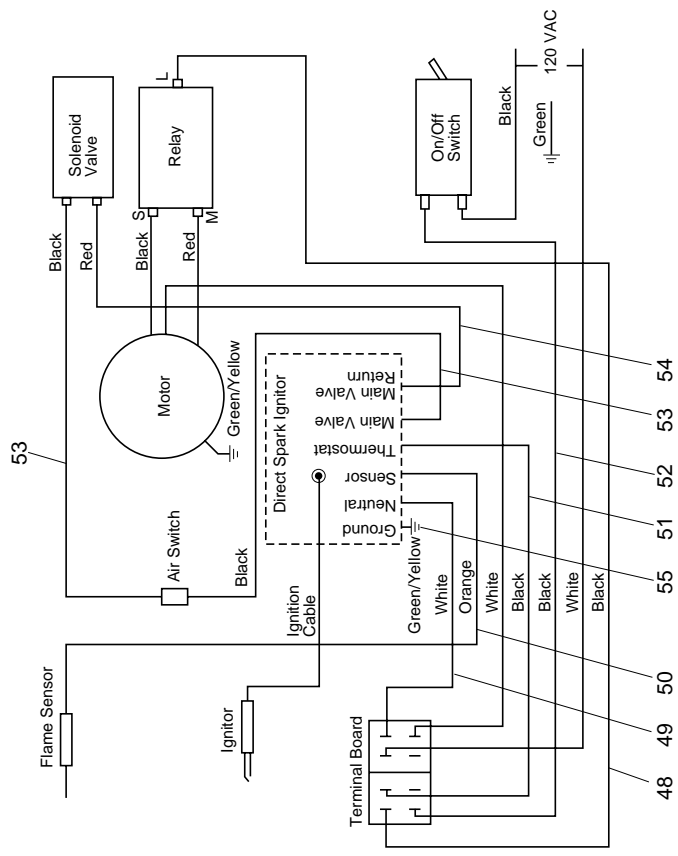
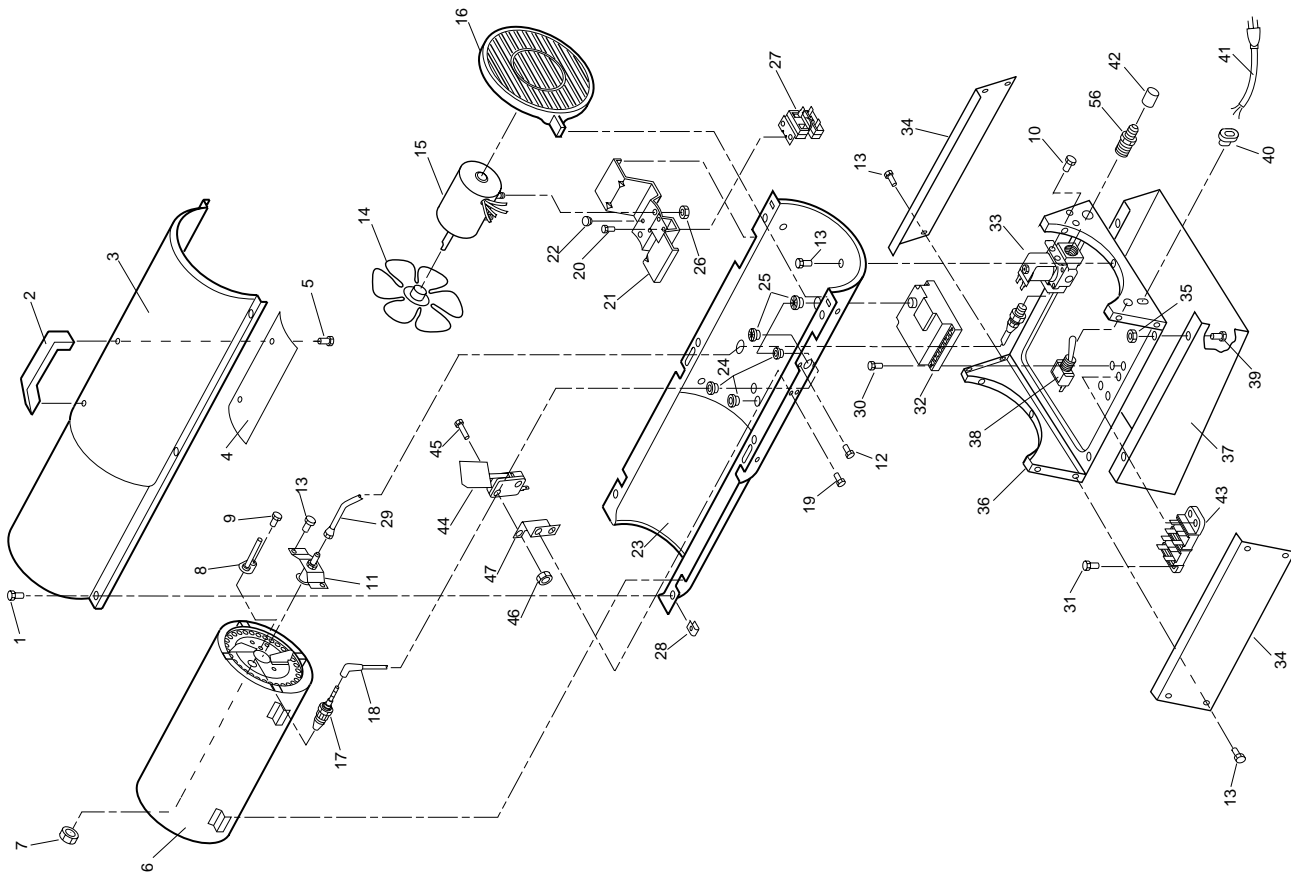
* No Longer Available

** Standard hardware item, available locally

DESA International

2701 Industrial Drive, P.O. Box 90004
 Bowling Green, KY 42102-9004
 Technical Service Department 1-800-323-5190
 Parts Department 1-800-972-7879

098619-01
 REV. D
 9/96



SPECIFICATIONS

Output Rating (Btu/Hr)	150,000
Fuel	Propane Vapor Only
Fuel Consumption Gallons/Hr	1.6
Pounds/Hr	7.0
Supply Gas Pressure	10 P.S.I (Minimum)
Regulator Outlet Pressure	11" W.C.
Manifold Pressure	9" W.C.
Air Output (CFM)	450
Electrical Requirements	120 Vac./60 Hz.
Amperage	2.2
Weight	30 Lbs.