

PORTABLE FORCED AIR HEATER

Illustrated Parts List

KNIPCO
F50F

IMPORTANT: Do not use key numbers when ordering service parts. Always order components by part number and description. Include model and serial numbers.

KEY NO.	PART NUMBER	DESCRIPTION	QTY.	KEY NO.	PART NUMBER	DESCRIPTION	QTY.
1	M51104-01	Handle	1	15	M11143-1	Strain Relief Bushing	1
2	098511-73	Upper Shell	1	16	NTC-4C	Hex Lock Nut, 1/4-20	2
3	M11084-29	Screw, #10-16 x 3/4"	2	17	M11084-26	Screw, #10-16 x 3/8	2
4	M11084-27	Screw, #10-16 x 1/2"	6	18	M50631	Rubber Bumper	2
5	098512-13	Combustion Chamber	1	19	079513-01AK	Side Cover	1
6	M10908-2	Screw, #6-32 x 3/8"	2	20	101205-01	Motor Bracket	1
7	M16660	Photocell Bracket	1	21	M30865-02	Bushing	1
8	HA3019	Photocell Assembly	1	22	M25097	Bushing	1
9	***	Burner Head Assembly	1	23	M11271-8	Clip Nut	6
9-1	HA3007	Nozzle	1	24	M50104-02	Bushing	1
9-2	HA3013	Spark Plug	1	25	M11084-26	Screw, #10-16 x 3/8	6
9-3	079980-01	Nozzle Adaptor	1	26	M15823-37	Screw, #8-18 x 1/4"	1
9-4	097125-01	Bracket	1	27	098511-18	Lower Shell	1
9-5	M29824	Nut, 14mm	1	28	M29652-04	Rubber Airline	1
10	M11084-26	Screw, #10-16 x 3/8"	2	29	102482-01	Ignitor Kit	1
11	M30884	Fan	1	30	M11084-29	Screw, #10-16 x 3/4"	2
12	***	Motor and Pump Assembly	1	31	079973-01	Fuel Line	1
12-1	102001-01	Motor	1	32	M50876-02	Fuel Filter (With Bushing)	1
12-2	079975-02	Pump Body	1	33	M10990-3	Rubber Bushing	1
12-3	M22009	Insert	1	34	M16841-16	Wire Assembly (Red, 6")	1
12-4	M22456-1	Rotor	1	35	**	Wire Connector (Blue Wires)	1
12-5	M29608	Pump End Cover	1	36	**	Wire Connector (Red Wires)	1
12-6	M29632	Lint Filter	1	37	**	Wire Connector (White Wires)	1
12-7	M29633	Intake Filter	1	38	HA3003	Safety Control	1
12-8	M29609	Filter End Cover	1	39	097702-01	Fuel Cap (Includes Gasket)	1
12-9	M12461-31	Screw, #10-32 x 1"	3	40	098513-22	Fuel Tank	1
12-10	M27694	Adjusting Screw	1	41	M51108-01	Heat-Shell Shield	1
12-11	M10993-1	Pressure Relief Spring	1				
12-12	M22997	Plug	1				
12-13	M8940	Steel Ball, 1/4" diameter	1				
12-14	M29612-01	Output Filter	1				
12-15	M12461-31	Screw, #10-32 x 1"	6				
12-16	M50016	Elbow, 90°	1		HA1210	Hang-up Thermostat	
12-17	M8643	Blade	4		HA1202	Heavy Duty Wheels and Handle Kit	
12-18	FHPF3-2C	Screw, #10-32 x 1/4"	2		HA1206	Standard Wheels and Handle Kit	
13	M51105-01	Fan Guard	1		HA1180	Air Gauge Kit	
14	098219-06	Power Cord	1				
OPTIONAL ACCESSORIES							

** Available at your local hardware store.

*** Not available as an assembly.

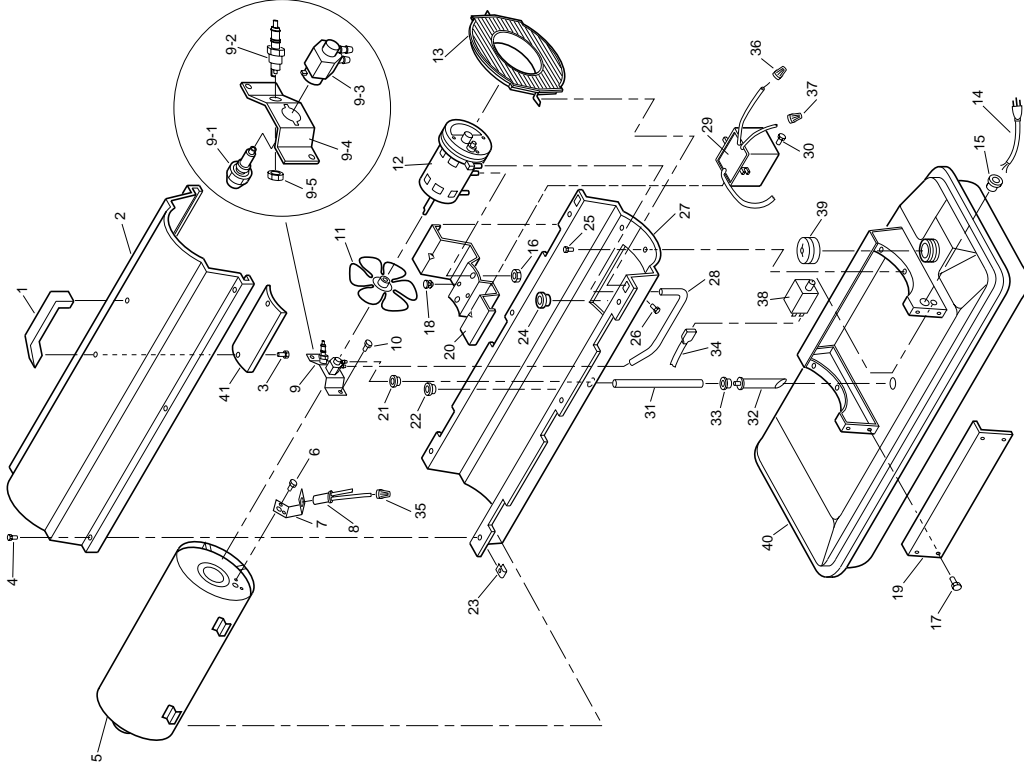
DESA International

2701 Industrial Drive, P.O. Box 90004
Bowling Green, KY 42102-9004
Technical Service Department 1-800-323-5190
Parts Department 1-800-972-7879

098887-01
REV. B
05/97

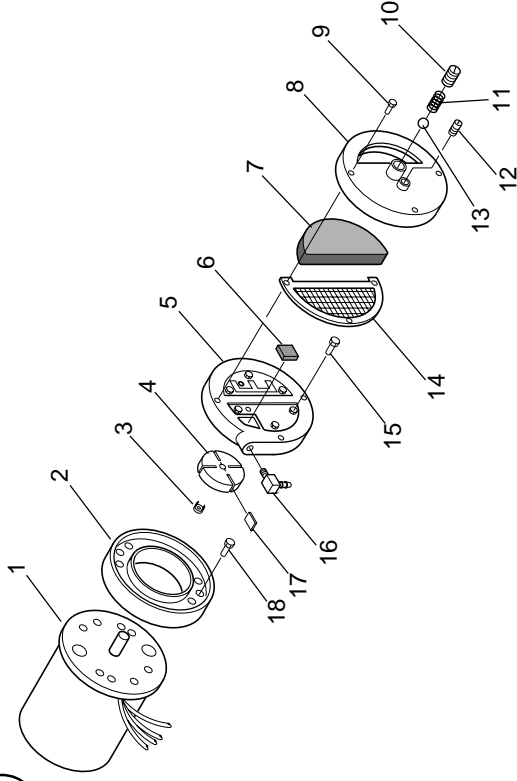
F50F

HEATER EXPLODED VIEW

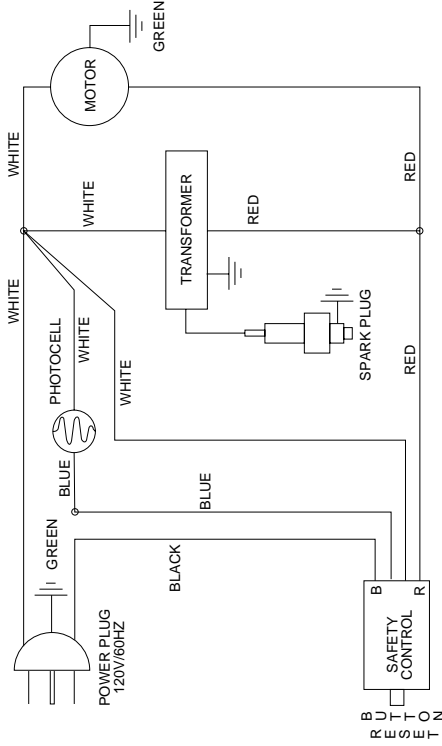


MOTOR PACKAGE ASSEMBLY

12



WIRING DIAGRAM



SPECIFICATIONS

Motor RPM	1725
Hot Air Output (Approximate CFM)	166
Air Pump Pressure (PSI)	3.6
Shipping Weight (Approximate Pounds)	43
Heater Weight Without Fuel (Approximate Pounds)	36

Output Rating (BTU Per Hour)	50,000
Fuel	Kerosene or #1 fuel oil
Fuel Tank Capacity (U. S. Gallons)	4
Fuel Consumption (Approximate U. S. Gallons Per Hour)	0.37
Electric Requirements	120V/60Hz
Amperage (During Normal Run)	2.5