

PORTABLE FORCED AIR HEATER

Illustrated Parts List

KNIPCO
F110F

IMPORTANT: Do not use key numbers when ordering service parts. Always order components by part number and description. Include model and serial numbers.

KEY NO.	PART NUMBER	DESCRIPTION	QTY.	KEY NO.	PART NUMBER	DESCRIPTION	QTY.
1	098511-151	Upper Shell	1	20	M51150-01	Fuel Filter	1
2	M11084-27	Screw, #10-16 x 1/2"	8	21	M51151-01	Fuel Line Tube	1
3	098512-07	Combustion Chamber	1	22	M10990-3	Rubber Bushing	1
4	M16660	Photocell Bracket	1	23	M50814-06	Airline	1
5	M10908-2	Screw, #6-32 x 3/8"	2	24	098511-60	Lower Shell	1
6	HA3019	Photocell Assembly	1	25	M30865-02	Bushing	1
7	***	Burner Head Assembly	1	26	M30865-02	Bushing	1
7-1	HA3009	Nozzle (Including Sleeve)	1	27	M30865-02	Bushing	1
7-2	M10659-1	Nozzle Washer	2	28	M50104-02	Bushing	1
7-3	M10809-1	Nozzle Spring	1	29	M11084-27	Screw, #10-16 x 1/2"	6
7-4	M8882	Nozzle Sleeve	1	30	M11271-8	Clip Nut	8
7-5	M50924-03	Burner Head Body	1	31	M15823-37	Screw, #8-18 x 1/4"	1
7-6	M50820-02	Barb Fitting	2	32	098513-25	Fuel Tank	1
7-7	HA3012	Spark Plug	1	33	097702-01	Fuel Cap (Includes Gasket)	1
8	M11084-27	Screw, #10-16 x 1/2"	3	34	HA3003	Safety Control	1
9	M51153-01	Fan	1	35	M11143-1	Strain Relief Bushing	1
10	***	Motor and Pump Assembly	1	36	099896-03	Power Cord	1
10-1	097300-02	Motor (Split Phase)	1	37	M51077-01AK	Side Cover	1
10-2	079975-02	Pump Body	1	38	M11084-27	Screw, #10-16 x 1/2"	4
10-3	FHPF3-2C	Screw, #10-32 x 1/2"	2	39	**	Wire Connector (Blue Wires)	1
10-4	M22009	Rotor Insert	1	40	**	Wire Connector (Red Wires)	1
10-5	M22456-1	Rotor	1	41	**	Wire Connector (White Wires)	1
10-6	M50545	Pump End Cover	1	42	079010-06	Wire Assembly (Red, 14 1/2")	1
10-7	M12179	Intake Filter	1	43	M16841-16	Wire Assembly (Red, 6")	1
10-8	M16545	Filter End Cover	1	PARTS AVAILABLE - NOT SHOWN			
10-9	M8940	Steel Ball, 1/4" diameter	1		097896-01	Wheels	2
10-10	M10993-1	Relief Spring	1		M51015-01	Axle	1
10-11	M27694	Adjusting Screw	1		M12342-3	Wheel Support Frame	1
10-12	M22997	Plug	1		HA2203	Front Handle	1
10-13	M12461-31	Screw, #10-32 x 1"	10		M12345-33	Screw, #10-24 x 3/4"	8
10-14	M12244-1	Output Filter	1		M28526	Nut Cap	2
10-15	M11637	Lint Filter	1		NTC-3C	Hex Lock Nut, #10-24	8
10-16	M50820-02	Barb Fitting	1		M29936	Tradename Decal	
10-17	M8643	Blade	4		098493-01	General Information Decal	
11	M50631	Rubber Bumper	2	ACCESSORIES			
12	101206-01	Motor Mounting Bracket	1		HA1210	Hang-up Thermostat	
13	097061-01	Solid State Relay	1		HA1180	Air Gauge Kit	
14	M15823-39	Screw, #8-18 x 1/2"	2				
15	NTC-4C	Hex Lock Nut, 1/4-20	2				
16	M51114-01	Fan Guard	1				
17	102482-01	Ignitor Kit	1				
18	M11084-29	Screw, #10-16 x 3/4"	2				
19	M51345-01	Fuel Line	1				

** Available at your local hardware store.

*** Not available as an assembly.

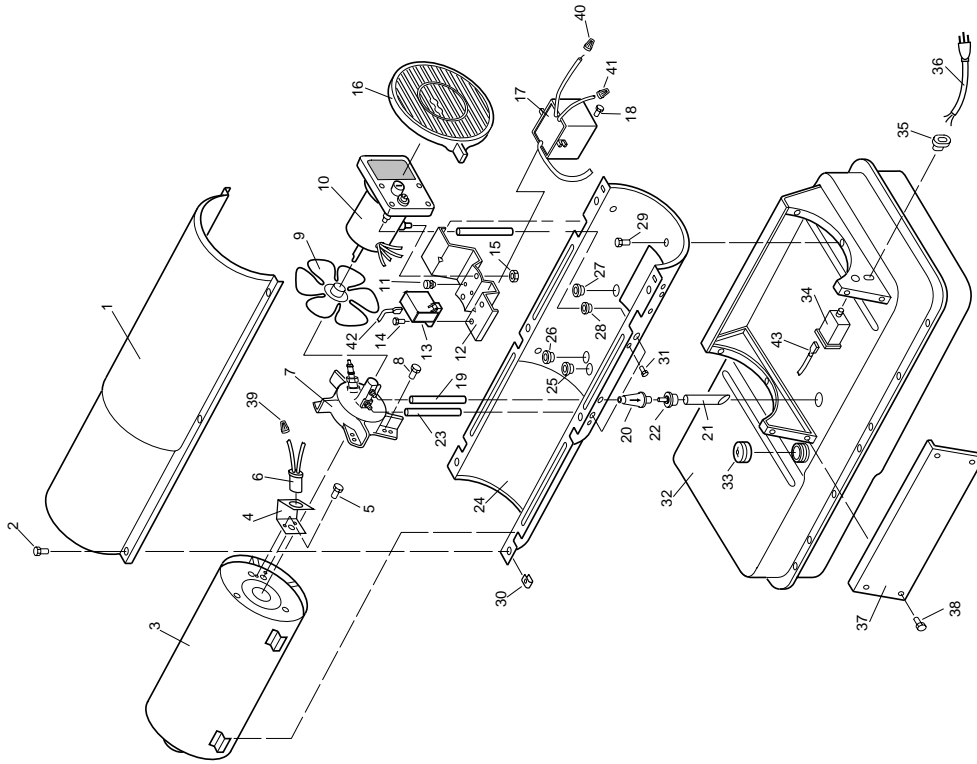
DESA International

2701 Industrial Drive, P.O. Box 90004
Bowling Green, KY 42102-9004
Technical Service Department 1-800-323-5190
Parts Department 1-800-972-7879

098888-01
REV. B
05/97

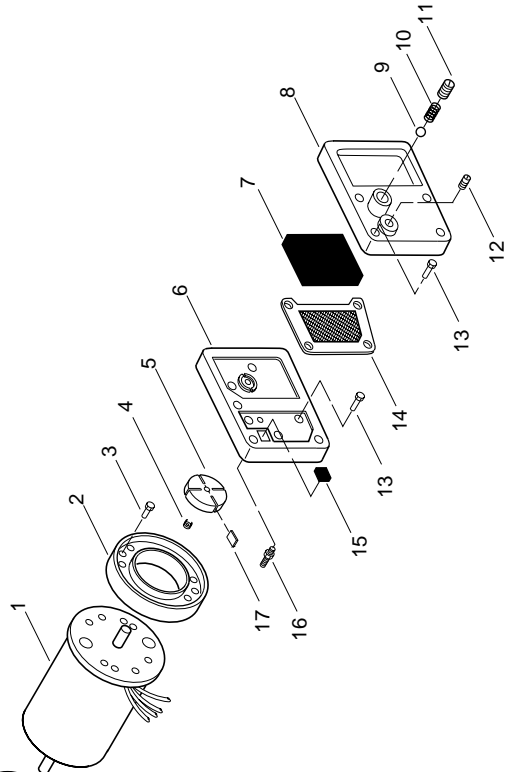
F110F

HEATER EXPLODED VIEW

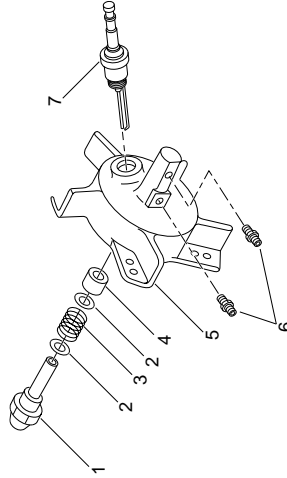


MOTOR PACKAGE ASSEMBLY

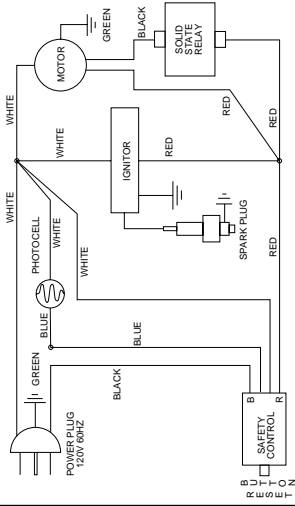
10



BURNER HEAD ASSEMBLY



WIRING DIAGRAM



SPECIFICATIONS

Output Rating (BTU Per Hour)
 Fuel
 Fuel Tank Capacity (U. S. Gallons)
 Fuel Consumption (Approximate U.S. Gallons Per Hour)
 Electric Requirements
 Amperage (During Normal Run)
 Starting Amps

100,000
 Kerosene or #1 fuel oil
 9
 0.74
 120V/60Hz
 5
 10

Motor RPM
 Hot Air Output (Approximate CFM)
 Air Pump Pressure (PSI)
 Shipping Weight (Approximate Pounds)
 Heater Weight Without Fuel (Approximate Pounds)

3450
 481
 4.0
 64
 55