

PORTABLE FORCED AIR HEATER

Illustrated Parts List

KNIPCO
F150G

IMPORTANT: Do not use key numbers when ordering service parts. Always order components by part number and description. Include model and serial numbers.

KEY NO.	PART NUMBER	DESCRIPTION	QTY.	KEY NO.	PART NUMBER	DESCRIPTION	QTY.
1	098511-53	Upper Shell	1	18	M51043-01	Bolt, 1/4-20 x 1 1/2"	2
2	098068-01	Heat Deflector Kit	1	19	WLM-4C	Lockwasher 1/4"	2
3	098512-18	Combustion Chamber	1	20	NPC-4C	Hex Lock Nut, 1/4-20	2
4	M11084-29	Screw, #10-16 x 3/4"	2	21	098511-06	Lower Shell	1
5	M11084-29	Screw, #10-16 x 3/4"	2	22	M11084-27	Screw, #10-16 x 1/2"	6
6	HA3019	Photocell Assembly	1	23	M11271-8	Clip Nut	7
7	M16660	Photocell Bracket	1	24	M12828	Shell Support Bracket	1
8	M10908-2	Screw, #6-32 x 3/8"	2	25	M11084-27	Screw, #10-16 x 1/2"	8
9	***	Burner Head Assembly	1	26	M11084-29	Screw, #10-16 x 3/4"	2
9-1	M16790-12	Fuel Line	1	27	M50104-03	Shorty Bushing	2
9-2	M19630	Fuel Filter	1	28	HA3003	Safety Control	1
9-3	M50660-05	Flare Nut	1	29	097061-01	Solid State Relay	1
9-4	079685-01	Male Connector	1	30	M15823-39	Screw, #8-18 x 1/2"	2
9-5	M50820-02	Barb Fitting	2	31	097060-01	Solid State Relay Bracket	1
9-6	M8882	Nozzle Seal	1	32	M11084-27	Screw, #10-16 x 1/2"	1
9-7	M10659-1	Nozzle Washer	2	33	M16645	Motor Support Bracket	1
9-8	M10809-1	Nozzle Spring	1	34	M30865-04	Bushing	1
9-9	HA3011	1.1 GPH Nozzle (Including Sleeve)	1	35	102482-01	Ignitor Kit	1
9-10	HA3012	Spark Plug	1	36	M11084-29	Screw, #10-16 x 3/4"	2
9-11	M50924-01	Burner Head Body	1	37	M11143-1	Strain Relief Bushing	1
10	M11084-27	Screw, #10-16 x 1/2"	3	38	099896-03	Power Cord	1
11	M50814-03	Airline Tubing	1	39	098513-11	Fuel Tank	1
12	M50873-01	Airline Clip	9	40	097702-01	Fuel Cap (Includes Gasket)	1
13	M16841-16	Wire Assembly (Red, 6")	1	41	M10990-3	Rubber Bushing	1
14	M11084-27	Screw, #10-16 x 1/2"	1	42	M11084-27	Screw, #10-16 x 1/2"	2
15	M17058	Fan	1	43	M11084-27	Screw, #10-16 x 1/2"	2
16	***	Motor and Pump Assembly	1	44	M27417	Drain Plug	1
16-1	M16545	Filter End Cover	1	45	**	Wire Connector (Blue Wires)	1
16-2	M12461-31	Screw, #10-32 x 1"	10	46	**	Wire Connector (Red Wires)	1
16-3	M12179	Intake Filter	1	47	**	Wire Connector (White Wires)	1
16-4	M12244-1	Output Filter	1	PARTS AVAILABLE - NOT SHOWN			
16-5	M11637	Lint Filter	1		097896-04	Wheels	2
16-6	M50545	Pump End Cover	1		M16801-2	Axle	1
16-7	M8643	Blade	4		M12831-3	Wheel Support Frame	1
16-8	M22456-1	Pump Rotor	1		HA2204	Handle	1
16-9	M22009	Rotor Insert	1		M12345-33	Screw, #10-24 x 3/4"	8
16-10	079975-01	Pump Body	1		M28526	Nut Cap	2
16-11	FHPF3-2C	Screw, #10-32 x 1/4"	2		NTC-3C	Hex Lock Nut, #10-24	8
16-12	M50820-02	Barb Fitting	1		M29936	Tradename Decal	
16-13	M22997	Plug	1		098493-01	General Information Decal	
16-14	M27694	Adjusting Screw	1				
16-15	M10993-1	Relief Spring	1				
16-16	M8940	Ball, 1/4" diameter	1				
16-17	097308-04	Motor	1				
17	M16661	Motor Clamp	4				

** Available at your local hardware store.

*** Not available as an assembly.

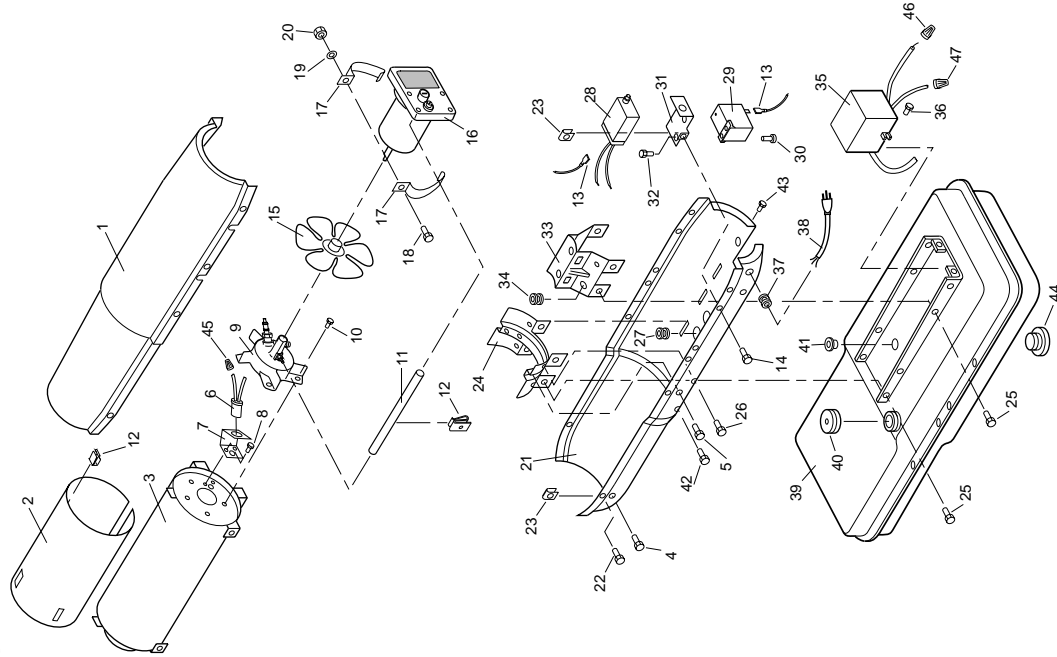
DESA International

2701 Industrial Drive, P.O. Box 90004
Bowling Green, KY 42102-9004
Technical Service Department 1-800-323-5190
Parts Department 1-800-972-7879

098889-01
REV. B
05/97

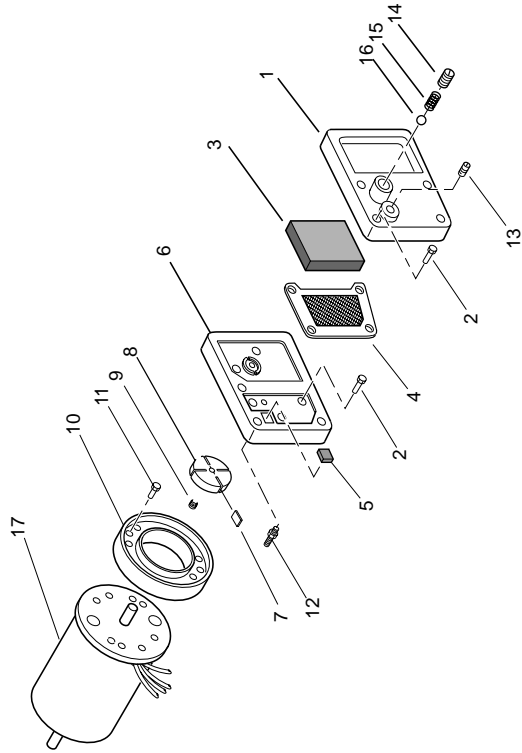
F150G

HEATER EXPLODED VIEW



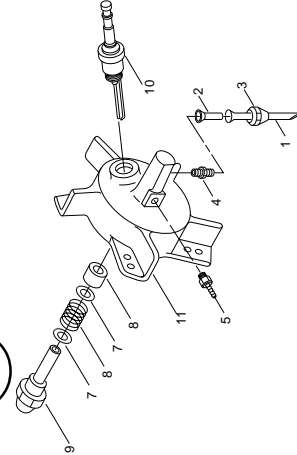
MOTOR PACKAGE ASSEMBLY

16

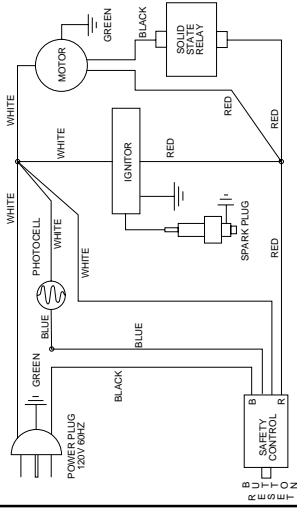


BURNER HEAD ASSEMBLY

9



WIRING DIAGRAM



SPECIFICATIONS

Output Rating (BTU Per Hour)
 Fuel
 Fuel Tank Capacity (U. S. Gallons)
 Fuel Consumption (Approximate U.S. Gallons Per Hour)
 Electric Requirements
 Amperage (During Normal Run)
 Starting Amps

150,000
 Kerosene or #1 fuel oil
 13.5
 1.1
 120V/60Hz
10

Motor RPM
 Hot Air Output (Approximate CFM)
 Air Pump Pressure (PSI)
 Shipping Weight (Approximate Pounds)
 Heater Weight Without Fuel (Approximate Pounds)

3450
 648
 5.0
 94
 77