

Issued: July, 1990

## GAS CONSTRUCTION HEATER

### *Illustrated Parts List*

**C155LP**  
**BLP155**  
**VLP155**  
**RLP155**

**IMPORTANT:** Do not use key numbers when ordering service parts. Always order components by part number and description. Include model and serial numbers.

Ref. No.	Part No.	Description	Qty.	Ref. No.	Part No.	Description	Qty.
1	098511-134	Upper Shell, Model C155LP	1	30	M12461-13	Screw, #8-32 x 1/4"	1
1	098511-114	Upper Shell, Model BLP155	1	31	M51104-01	Handle	1
1	098511-119	Upper Shell, Model VLP155	1	32	M11084-29	Screw, #10-16 x 3/4"	2
1	098511-116	Upper Shell, Model RLP155	1	33	097964-03AA	Fan Guard	1
2	M15823-27	Screw, #10-16 x 1/2"	8	34	098138-02	Motor & Relay Support Bracket Assy.	1
3	098512-28	Combustion Chamber Kit	1	35	M11143-1	Strain Relief Bushing	1
4	099138-01	Nozzle	1	36	098219-17	Power Cord	1
5	099133-01	Ignitor	1	37	M50631	Rubber Bumper	2
6	M11084-38	Screw, #8-18 x 3/8"	2	38	NTC-4C	Lock Nut	2
7	099334-01	Fuel Tube Kit	1	39	099157-01	Break Mandrell Rivet, 3/16"	1
8	097806-02	Ignitor Cable	1	40	099125-01	Terminal Board	1
9	M51108-01	Heat Shield	1	41	M12461-25	Screw, #10-32 x 1/4"	2
10	M51153-01	Fan	1	42	M9900-170	Wire Assembly	2
11	099131-01	Motor	1	43	M11271-8	Clip Nut	8
12	097776-01	Universal Bushing	1	<b>PARTS AVAILABLE—NOT SHOWN</b>			
13	078978-01	Sleeve Cap	1		099162-01	Owner's Manual	1
14	M51572-02	Male Connector	1		079231-01	Service Center List	1
15	099132-01	Solenoid Valve	1		097941-04	Tradename Decal, Model RLP155	2
16	097966-04AA	Base	1		079718-04	Tradename Decal, Model VLP155	2
17	M51605-02	DSI Control	1		097940-02	Tradename Decal, Model BLP155	2
18	*	Screw, #8-32 x 1"	2		079872-02	Tradename Decal, Model C155LP	1
19	NPC-2C	Hex Nut, #8-32	2		099160-01	General Information Decal	1
20	M11084-27	Screw, #10-16 x 1/2"	10		LPA3070	Regulator & Hose Assembly	1
21	M50104-05	Shorty Bushing	1		LPA1010	10' Hose Assembly	1
22	M50104-04	Shorty Bushing	1		LPA2100	Regulator	1
23	097952-03	Thermal Limit Switch Assembly	1		LPA4020	Fuel Gas Connector	1
24	097968-01	Screw, #4-40 x 1/4"	2		HA1210	Thermostat	1
25	NPC-00C	Hex Nut, #4-40	2				
26	098511-132	Lower Shell, Model C155LP	1				
26	098511-129	Lower Shell, Model BLP155	1				
26	098511-130	Lower Shell, Model VLP155	1				
26	098511-131	Lower Shell, Model RLP155	1				
27	097965-02AA	Side Cover	1				
28	098226-01	On/Off Switch	1				
29	098165-01	Relay	1				

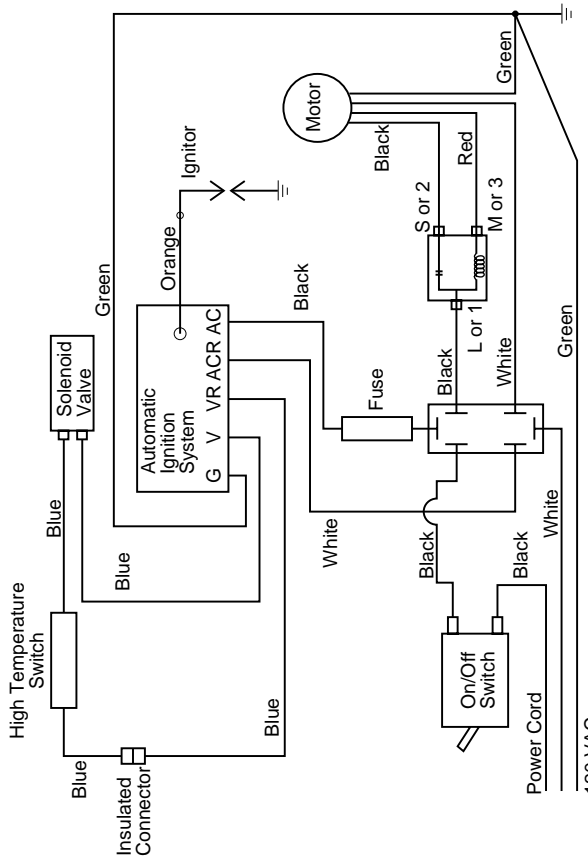
\* No Longer Available

### DESA International

2701 Industrial Drive, P.O. Box 90004  
 Bowling Green, KY 42102-9004  
 Technical Service Department 1-800-323-5190  
 Parts Department 1-800-972-7879

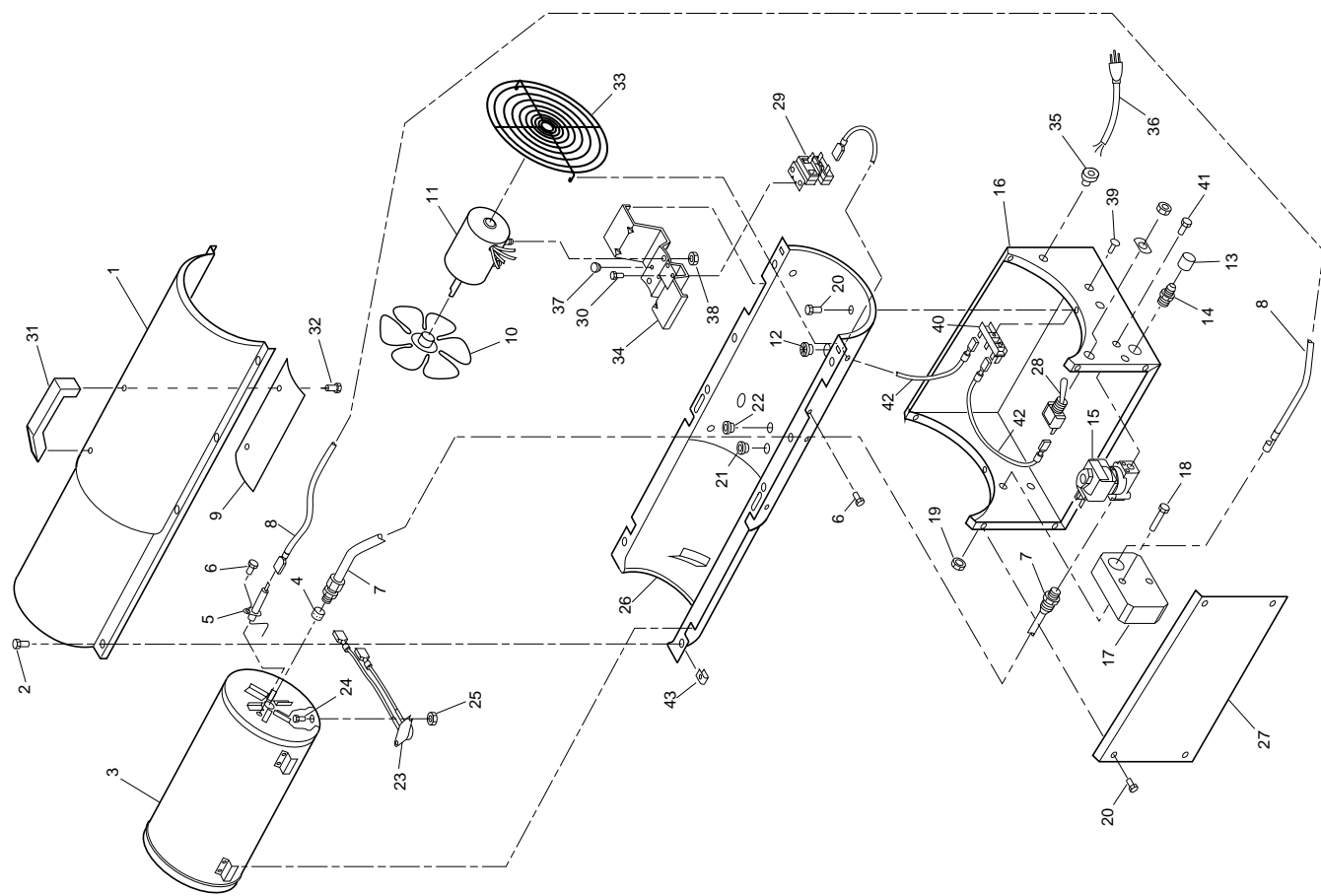
099309-01  
 REV. B  
 9/96

### WIRING DIAGRAM



### SPECIFICATIONS

Output Rating (BTU/Hr) .....	150,000
Fuel .....	Propane Vapor Only
Fuel Consumption Gallons/Hour .....	1.6
Pounds/Hour .....	7
Supply Pressure To Regulator Minimum (for input adjustment) .....	10 psi
Maximum .....	Tank Pressure
Regulator Outlet Pressure (Factory Preset) .....	12.5" W.C.
Manifold Pressure .....	9.8" W.C.
Hot Air Output (CFM Approx.) .....	550
Motor .....	3430 RPM, 1/8 H.P.
Electric Input .....	120V/60Hz
Amperage .....	2.2
Ignition.....	Direct Spark, Interrupted Type
Ignitor Gap (Inches) .....	.13/.15
Weight (Pounds) Heater .....	24
Shipping .....	35
Size - L x W x H (Inches) .....	36.25 x 14.5 x 20



Note: Screws are standard hardware items