

Issued: Sept., 1990

PORTABLE FORCED AIR HEATER

Illustrated Parts List

REDDY – R35B
DESA – C35B
REMINGTON –
REM35A

IMPORTANT: Do not use key numbers when ordering service parts. Always order components by part number and description. Include model and serial numbers.

KEY NO.	PART NUMBER	DESCRIPTION	QTY.	KEY NO.	PART NUMBER	DESCRIPTION	QTY.
1	M51104-01	Handle	1	18	M50631	Rubber Bumper	2
2	098511-36	Upper Shell (R35B)	1	19	M50899-03AA	Side Cover	1
	098511-70*	Upper Shell (C35B)	1	20	101205-01	Motor Bracket	1
	098511-67	Upper Shell (REM35A)	1	21	M30865-02	Bushing	2
3	M11084-29	Screw, #10-16 x 3/4"	2	22	M11271-8	Clip Nut	6
4	M11084-27	Screw, #10-16 x 1/2"	6	23	M50104-02	Bushing	1
5	098512-20	Combustion Chamber	1	24	M11084-26	Screw, #10-16 x 3/8"	6
6	M10908-2	Screw, #6-32 x 3/8"	2	25	M15823-37	Screw, #8-18 x 1/4"	1
7	M16660	Photocell Bracket	1	26	098511-18	Lower Shell (R35B)	1
8	HA3019	Photocell Assembly	1		098511-91	Lower Shell (C35B)	1
9	***	Burner Head Assembly	1		098511-81	Lower Shell (REM35A)	1
9-1	HA3006	Nozzle	1	27	M29652-04	Rubber Airline	1
9-2	HA3013	Spark Plug	1	28	102482-01	Ignitor Kit	1
9-3	079980-01	Nozzle Adapter	1	29	M11084-29	Screw, #10-16 x 3/4"	2
9-4	097125-01	Bracket	1	30	M29652-05	Fuel Line	1
9-5	M29824	Nut, 14mm	1	31	M50876-04	Fuel Filter (With Bushing)	1
10	M11084-26	Screw, #10-16 x 3/8"	2	32	M10990-3	Rubber Bushing	1
11	M30884	Fan	1	33	M16841-57	Wire Assembly (Red, 6")	1
12	***	Motor and Pump Assembly	1	34	099125-02	Terminal Board	1
12-1	102001-01	Motor	1	35	099157-01	Rivet	1
12-2	079975-02	Pump Body	1	36	HA3003	Safety Control	1
12-3	M22009**	Insert	1	37	097702-01	Fuel Cap (Includes Gasket)	1
12-4	M22456-1**	Rotor	1	38	098513-23	Fuel Tank	1
12-5	M29608	Pump End Cover	1	39	M51108-01	Heat-Shell Shield	1
12-6	M29632**	Lint Filter	1	PARTS AVAILABLE - NOT SHOWN			
12-7	M29633**	Intake Filter	1		097204-01	Tradenname Decal (R35B)	
12-8	M29609	Filter End Cover	1		079871-01	Tradenname Decal (C35B)	
12-9	M12461-31	Screw, #10-32 x 1"	3		097764-01	Tradenname Decal (REM35A)	
12-10	M27694**	Adjusting Screw	1		098493-01	General Information Decal	
12-11	M10993-1**	Pressure Relief Spring	1		099176-01	Owner's Manual	
12-12	M22997**	Plug	1	OPTIONAL ACCESSORIES			
12-13	M8940**	Steel Ball, 1/4" diameter	1		HA1210	Hang-up Thermostat	
12-14	M29612-01**	Output Filter	1		HA1202	Heavy Duty Wheels and Handle Kit	
12-15	M12461-31	Screw, #10-32 x 1"	6		HA1206	Standard Wheels and Handle Kit	
12-16	M50016	Elbow, 90°	1		HA1180	Air Gauge Kit	
12-17	M8643**	Blade	4		HA2210	Fuel Tank Filter Screen	
12-18	FHPF3-2C	Screw, #10-32 x 1/4"	2		HA3004	Rotor Kit (M22456-1, M22009, M8643)	
13	M51105-01	Fan Guard	1		HA3014	Filter Kit (M29632, M29633, M29612-01)	
14	098219-18	Power Cord	1		HA3020	Pump Kit (M27694, M10993-1, M22997, M8940)	
15	M11143-1	Strain Relief Bushing	1				
16	NTC-4C	Hex Lock Nut, 1/4-20	2				
17	M11084-26	Screw, #10-16 x 3/8"	2				

* No Longer Available

** See OPTIONAL ACCESSORIES

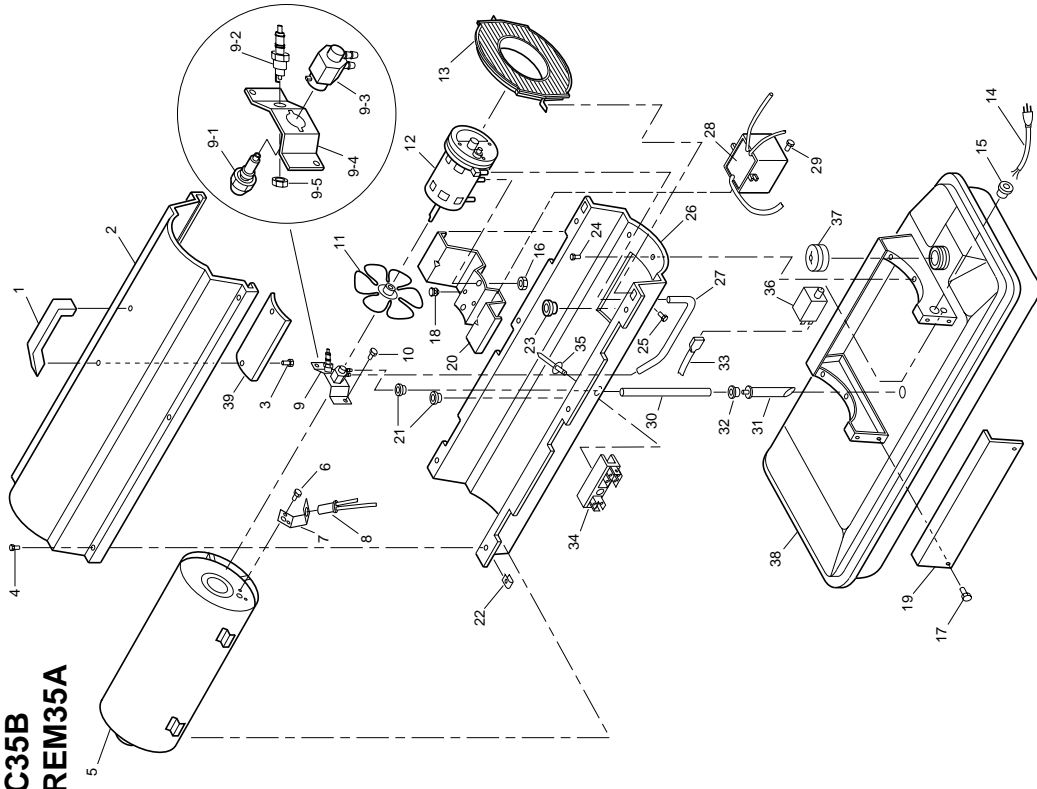
*** Not available as an assembly.

DESA International

2701 Industrial Drive, P.O. Box 90004
 Bowling Green, KY 42102-9004
 Technical Service Department 1-800-323-5190
 Parts Department 1-800-972-7879

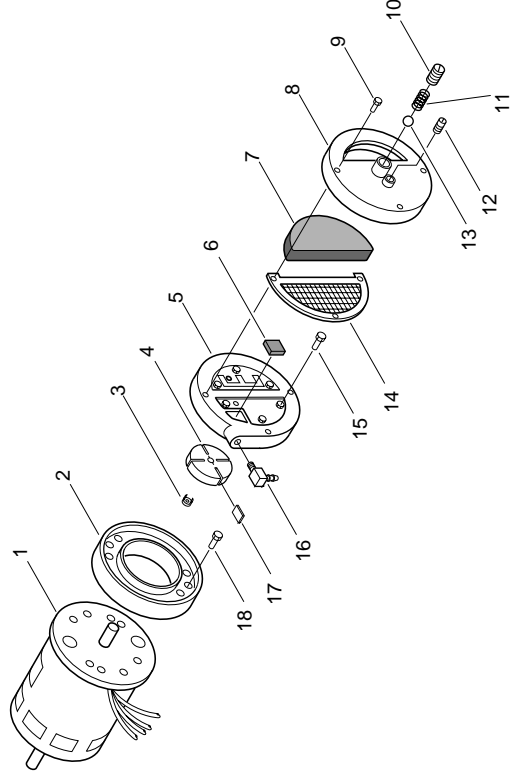
099349-01
 REV. B
 11/96

HEATER EXPLODED VIEW



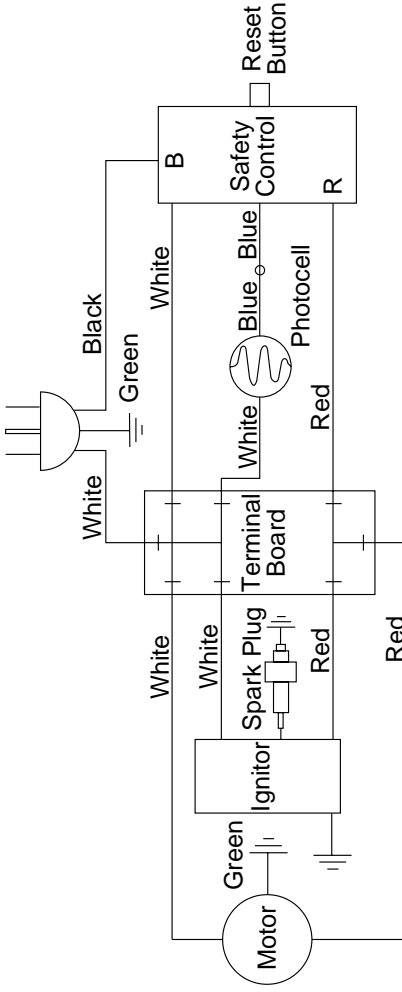
MOTOR PACKAGE ASSEMBLY

12



WIRING DIAGRAM

Power Plug
120V 60HZ



SPECIFICATIONS

Output Rating (BTU Per Hour)
Fuel
Fuel Tank Capacity (U. S. Gallons)
Fuel Consumption (Approximate U.S. Gallons Per Hour)
Electric Requirements
Amperage (During Normal Run)

35,000
Kerosene or #1 fuel oil
3
0.26
120V/60HZ
2.0

Motor RPM
Hot Air Output (Approximate CFM)
Air Pump Pressure (PSI)
Shipping Weight (Approximate Pounds)
Heater Weight Without Fuel (Approximate Pounds)

1725
165
3.0
34
29