

## PORTABLE FORCED AIR HEATER

### *Illustrated Parts List*

Issued: Sept., 1990

**MASTER – B50F**  
**REDDY – R50B**  
**DESA – C50F**  
**KNIPCO – F50G**  
**REMINGTON –**  
**REM50A**

**IMPORTANT:** Do not use key numbers when ordering service parts. Always order components by part number and description. Include model and serial numbers.

KEY NO.	PART NUMBER	DESCRIPTION	QTY.	KEY NO.	PART NUMBER	DESCRIPTION	QTY.
1	M51104-01	Handle	1	21	M30865-02	Bushing	2
2	098511-54	Upper Shell (B50F)	1	22	M11271-8	Clip Nut	6
	098511-36	Upper Shell (R50B)	1	23	M50104-02	Bushing	1
	098511-70*	Upper Shell (C50F)	1	24	M11084-26	Screw, #10-16 x 3/8"	6
	098511-73	Upper Shell (F50G)	1	25	M15823-37	Screw, #8-18 x 1/4"	1
	098511-67	Upper Shell (REM50A)	1	26	098511-12	Lower Shell (B50F)	1
3	M11084-29	Screw, #10-16 x 3/4"	2		098511-18	Lower Shell (R50B)	1
4	M11084-27	Screw, #10-16 x 1/2"	6		098511-91	Lower Shell (C50F)	1
5	098512-13	Combustion Chamber	1		098511-93	Lower Shell (F50G)	1
6	M10908-2	Screw, #6-32 x 3/8"	2		098511-81	Lower Shell (REM50A)	1
7	M16660	Photocell Bracket	1	27	M29652-04	Rubber Airline	1
8	HA3019	Photocell Assembly	1	28	102482-01	Ignitor Kit	1
9	***	Burner Head Assembly	1	29	M11084-29	Screw, #10-16 x 3/4"	2
9-1	HA3007	Nozzle	1	30	079973-01	Fuel Line	1
9-2	HA3013	Spark Plug	1	31	M50876-02	Fuel Filter (With Bushing)	1
9-3	079980-01	Nozzle Adapter	1	32	M10990-3	Rubber Bushing	1
9-4	097125-01	Bracket	1	33	M16841-57	Wire Assembly (Red, 6")	1
9-5	M29824	Nut, 14mm	1	34	099125-02	Terminal Board	1
10	M11084-26	Screw, #10-16 x 3/8"	2	35	099157-01	Rivet	1
11	M30884	Fan	1	36	HA3003	Safety Control	1
12	***	Motor and Pump Assembly	1	37	097702-01	Fuel Cap (Includes Gasket)	1
12-1	102001-01	Motor	1	38	098513-20	Fuel Tank	1
12-2	079975-02	Pump Body	1		098513-27	Fuel Tank (B50F Only)	1
12-3	M22009**	Insert	1	39	M51108-01	Heat-Shell Shield	1
12-4	M22456-1**	Rotor	1	40	M27417	Drain Plug (Includes "O" Ring)	1
12-5	M29608	Pump End Cover	1			(B50F Only)	1
12-6	M29632**	Lint Filter	1	41	M51017-01	Cushion Grommet (B50F Only)	3
12-7	M29633**	Intake Filter	1	<b>PARTS AVAILABLE - NOT SHOWN</b>			
12-8	M29609	Filter End Cover	1		097646-01	Tradename Decal (B50F)	
12-9	M12461-31	Screw, #10-32 x 1"	3		097204-02	Tradename Decal (R50B)	
12-10	M27694**	Adjusting Screw	1		079863-01	Tradename Decal (C50F)	
12-11	M10993-1**	Pressure Relief Spring	1		079514-01	Tradename Decal (F50G)	
12-12	M22997**	Plug	1		097764-02	Tradename Decal (REM50A)	
12-13	M8940**	Steel Ball, 1/4" diameter	1		098493-01	General Information Decal	
12-14	M29612-01**	Output Filter	1		099176-01	Owner's Manual	
12-15	M12461-31	Screw, #10-32 x 1"	6	<b>OPTIONAL ACCESSORIES</b>			
12-16	M50016	Elbow, 90°	1		HA1210	Hang-up Thermostat	
12-17	M8643**	Blade	4		HA1202	Heavy Duty Wheels and Handle Kit	
12-18	FHPF3-2C	Screw, #10-32 x 1/4"	2		HA1206	Standard Wheels and Handle Kit	
13	M51105-01	Fan Guard	1		HA1180	Air Gauge Kit	
14	098219-18	Power Cord	1		HA2210	Fuel Tank Filter Screen	
15	M11143-1	Strain Relief Bushing	1		HA3004	Rotor Kit (M22456-1, M22009, M8643)	
16	NTC-4C	Hex Lock Nut, 1/4-20	2		HA3014	Filter Kit (M29632, M29633, M29612-01)	
17	M11084-26	Screw, #10-16 x 3/8"	2		HA3020	Pump Kit (M27694, M10993-1, M22997, M8940)	
18	M50631	Rubber Bumper	2				
19	M50899-03AA	Side Cover	1				
20	101205-01	Motor Bracket	1				

\* No Longer Available

\*\* See OPTIONAL ACCESSORIES

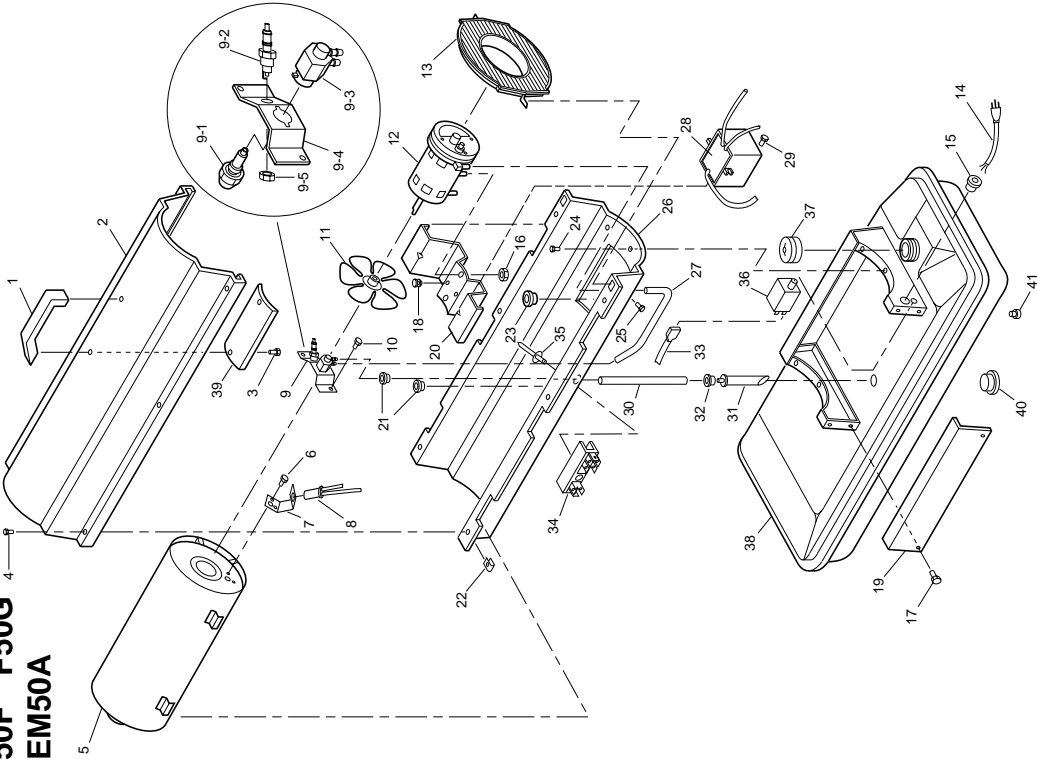
\*\*\* Not available as an assembly.

### DESA International

2701 Industrial Drive, P.O. Box 90004  
 Bowling Green, KY 42102-9004  
 Technical Service Department 1-800-323-5190  
 Parts Department 1-800-972-7879

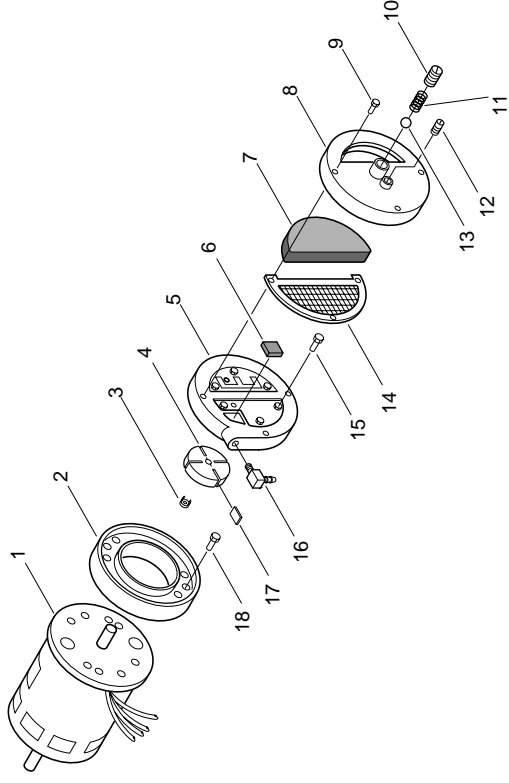
099350-01  
 REV. B  
 11/96

**B50F R50B HEATER EXPLODED VIEW**  
**C50F F50G**  
**REM50A**

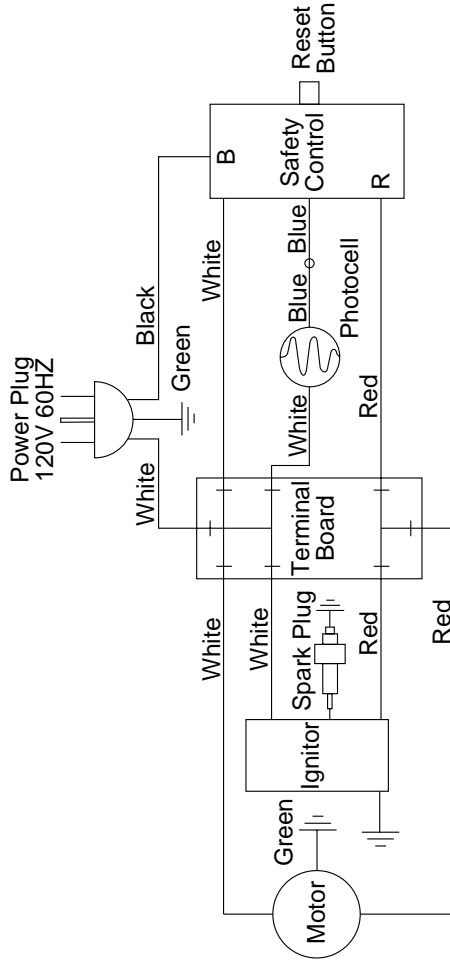


**MOTOR PACKAGE ASSEMBLY**

**12**



**WIRING DIAGRAM**



**SPECIFICATIONS**

Output Rating (BTU Per Hour)  
 Fuel  
 Fuel Tank Capacity ( U. S. Gallons)  
 Fuel Consumption ( Approximate U.S. Gallons Per Hour)  
 Electric Requirements  
 Amperage (During Normal Run)

50,000  
 Kerosene or #1 fuel oil  
 4  
 0.37  
 120V/60Hz  
 2.0

Motor RPM  
 Hot Air Output (Approximate CFM)  
 Air Pump Pressure (PSI)  
 Shipping Weight (Approximate Pounds)  
 Heater Weight Without Fuel (Approximate Pounds)

1725  
 165  
 3.6  
 35  
 30