

PORTABLE FORCED AIR HEATER

Illustrated Parts List

Issued: June, 1992

MASTER - B110
KNIPCO - F110H
REDDY - R110
REMINGTON -
REM110

IMPORTANT: Do not use key numbers when ordering service parts. Always order components by part number and description. Include model and serial numbers.

KEY NO.	PART NUMBER	DESCRIPTION	QTY.	KEY NO.	PART NUMBER	DESCRIPTION	QTY.
1	098511-138	Upper Shell (B110)	1	24	098511-140	Lower Shell (B110)	1
	098511-135	Upper Shell (F110H)	1		098511-137	Lower Shell (F110H & R110)	1
	098511-66	Upper Shell (REM110)	1		098511-82	Lower Shell (REM110)	1
	098511-135	Upper Shell (R110)	1	25	M30865-02	Bushing	3
2	100647-01	Screw, #10-16 x 1/2"	8	26	M50104-02	Bushing	1
3	098512-31	Combustion Chamber	1	27	M11084-27	Screw, #10-16 x 1/2"	6
4	M16660	Photocell Bracket	1	28	M11271-8	Clip Nut	8
5	M10908-2	Screw, #6-32 x 3/8"	2	29	M15823-37	Screw, #8-18 x 1/4"	1
6	HA3019	Photocell Assembly	1	30	098513-21	Fuel Tank	1
7	***	Burner Head Assembly	1	31	097702-01	Fuel Cap (Includes Gasket)	1
7-1	HA3022	Nozzle with Sleeve	1	32	HA3003	Flame-out Control	1
7-2	M10659-1	Nozzle Washer	2	33	M11143-1	Strain Relief Bushing	1
7-3	M10809-1	Nozzle Spring	1	34	098219-19	Power Cord	1
7-4	M8882	Nozzle Sleeve	1	35	M51077-01AA	Side Cover	1
7-5	M50924-03	Burner Head Body	1	36	M11084-27	Screw, #10-16 x 1/2"	4
7-6	M50820-02	Barb Fitting	2	37	099125-03	Terminal Board	1
7-7	HA3012	Spark Plug	1	38	099157-01	Rivet	1
8	M11084-27	Screw, #10-16 x 1/2"	3	39	079010-20	Wire Assembly (Red, 14 1/2")	1
9	097293-01	Fan	1	40	M16841-57	Wire Assembly (Red, 6")	1
10	***	Motor and Pump Assembly	1	41	M27417	Drain Plug (Includes "O" Ring)	1
10-1	097300-02	Motor (Split Phase)	1	42	099177-01	Hex Nut, 3/8 - 27	1
10-2	079975-02	Pump Body	1	43	099213-01	Bottom Plug	1
10-3	FHPF3-3C	Screw, #10-32 x 3/8"	2	PARTS AVAILABLE - NOT SHOWN			
10-4	M22009**	Rotor Insert	1		097896-04	Wheels (B110 & F110H)	2
10-5	M22456-1**	Pump Rotor	1		097896-01	Wheels (R110 & REM110)	2
10-6	M50545	Pump End Cover	1		M51015-01	Axle	1
10-7	M12179**	Intake Filter	1		M12342-3	Wheel Support Frame	1
10-8	M16545	Filter End Cover	1		HA2203	Handle	2
10-9	M8940**	Steel Ball, 1/4" diameter	1		M12345-33	Screw, #10-24 x 1 3/4"	8
10-10	M10993-1**	Relief Spring	1		M28526	Nut cap	2
10-11	M27694**	Adjusting Screw	1		NTC-3C	Hex Lock Nut, #10-24	8
10-12	M22997**	Plug	1		097644-02	Tradename Decal (B110)	
10-13	M12461-31	Screw, #10-32 x 1"	10		M29936	Tradename Decal (F110H)	
10-14	M12244-1**	Output Filter	1		097204-09	Tradename Decal (R110)	
10-15	M11637**	Lint Filter	1		097773-03	Tradename Decal (REM110)	
10-16	M50820-02	Barb Fitting	1		098493-01	General Information Decal	
10-17	M8643**	Blade	4		099176-01	Owner's Manual	
11	M50631	Rubber Bumper	2	OPTIONAL ACCESSORIES			
12	101206-01	Motor Mounting Bracket	1		HA1210	Hang-up Thermostat	
13	097061-01	Solid State Relay	1		HA1180	Air Gauge Kit	
14	M15823-39	Screw, #8-18 x 1/2"	2		HA2210	Fuel Tank Filter Screen	
15	NTC-4C	Hex Lock Nut, 1/4-20	2		HA3004	Rotor Kit (M22456-1, M22009, M8643)	
16	M51114-01	Fan Guard	1		HA3017	Filter Kit (M11637, M12179, M12244-1, M51150-01)	
17	102482-01	Ignitor Kit	1		HA3020	Pump Kit (M27694, M10993-1, M22997, M8940)	
18	M11084-29	Screw, #10-16 x 3/4"	2				
19	M51345-01	Fuel Line	1				
20	M51150-01**	Fuel Filter	1				
21	M51151-01	Fuel Line Tube	1				
22	M10990-3	Rubber Bushing	1				
23	M50814-03	Air Line	1				

** See OPTIONAL ACCESSORIES

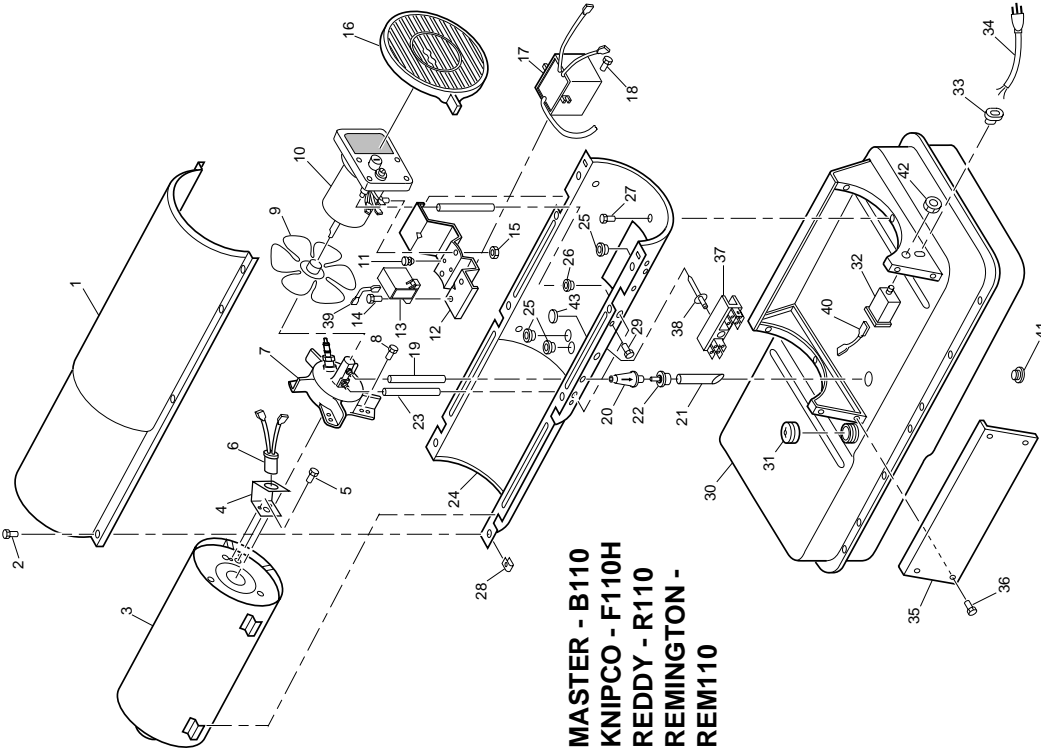
*** Not available as an assembly.

DESA International

2701 Industrial Drive, P.O. Box 90004
 Bowling Green, KY 42102-9004
 Technical Service Department 1-800-323-5190
 Parts Department 1-800-972-7879

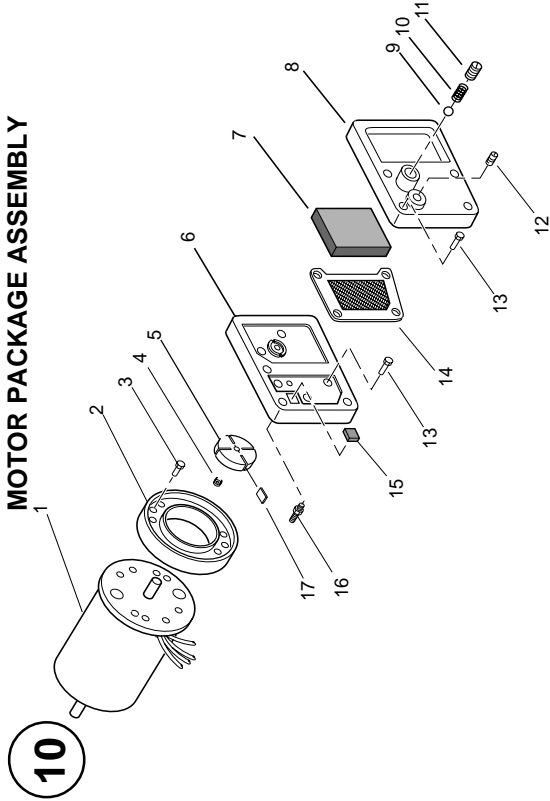
100296-01
 REV. D
 05/97

HEATER EXPLODED VIEW

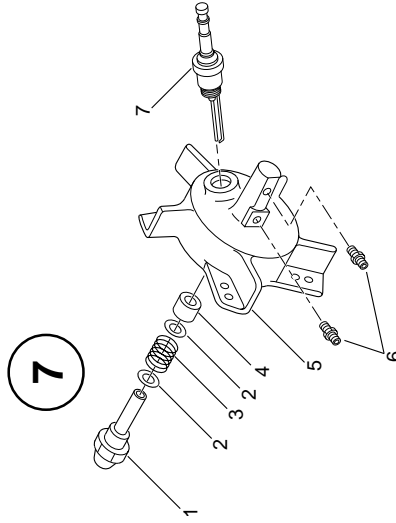


**MASTER - B110
KNIPCO - F110H
REDDY - R110
REMINGTON -
REM110**

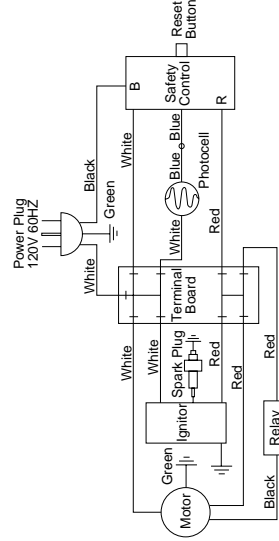
MOTOR PACKAGE ASSEMBLY



BURNER HEAD ASSEMBLY



WIRING DIAGRAM



SPECIFICATIONS

Output Rating (BTU Per Hour)
Fuel
Fuel Tank Capacity (U. S. Gallons)
Fuel Consumption (Approximate U.S. Gallons Per Hour)
Electric Requirements
Amperage (During Normal Run)
Starting Amps

110,000
Kerosene or #1 fuel oil
9
0.83
120V/60Hz
4.5
10

Motor RPM
Hot Air Output (Approximate CFM)
Air Pump Pressure (PSI)
Shipping Weight (Approximate Pounds)
Heater Weight Without Fuel (Approximate Pounds)

3450
480
4.5
56
47