

**GAS CONSTRUCTION HEATER**  
*Illustrated Parts List*

**IMPORTANT:** Do not use key numbers when ordering service parts. Always order components by part number and description. Include model and serial numbers.

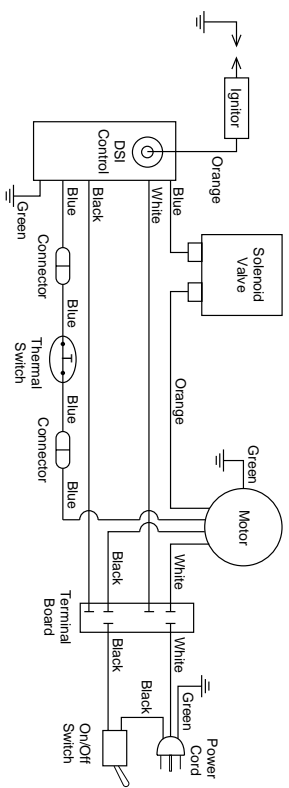
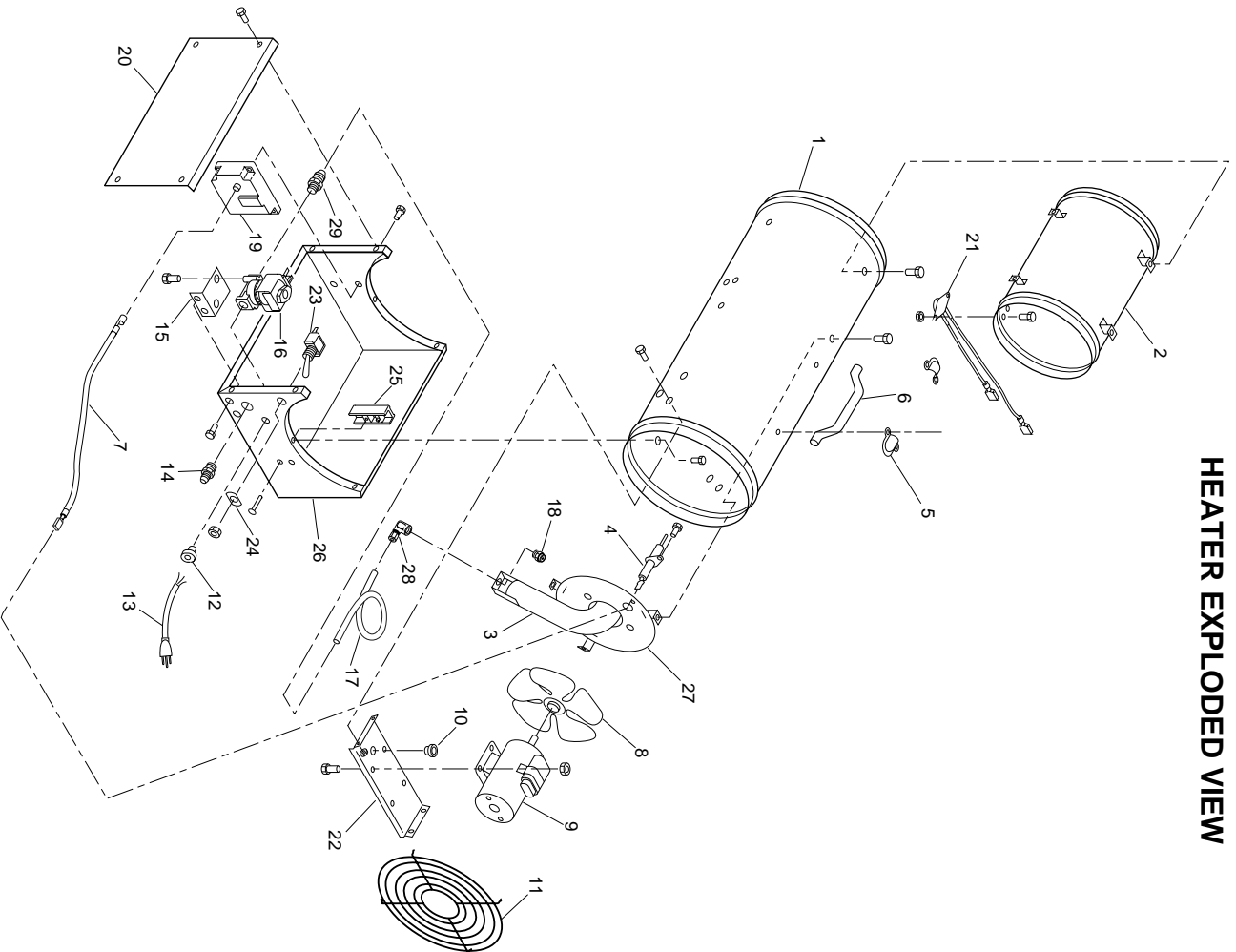
KEY NO.	PART NUMBER	DESCRIPTION	QTY.
1	100409-01	Outer Shell Assembly (BLP375A)	1
	100409-06	Outer Shell Assembly (RLP375A)	1
2	097847-01	Combustion Chamber Assembly	1
3	097849-01	Burner Assembly	1
4	097805-01	Ignitor	1
5	097918-01	Cleat	2
6	097917-01	Handle	1
7	097806-02	Ignitor Cable	1
8	097811-01	Fan	1
9	097802-01	Motor	1
10	M50104-02	Shorty Bushing	1
11	097964-01AA	Fan Guard	1
12	M11143-1	Strain Relief Bushing	1
13	099896-05	Cord Assembly	1
14	097809-01	Male Fitting	1
15	097828-01	Solenoid Bracket	1
16	098201-01	Solenoid Valve	1
17	100145-01	Fuel Tube	1
18	099679-01	Nozzle	1
19	M51605-02	D.S.I. Control	1
20	097965-01AA	Side Cover	1
21	101732-03	Thermal Switch Kit	1
22	097829-02	Motor Mount	1
23	098226-01	On/Off Switch	1
24	*	Indicator Plate	1
25	099125-01	Terminal Board	1
26	097966-09AA	Base	1
27	097848-01	Rear Plate Assembly	1
28	100146-01	Elbow Fitting	1
29	098827-01	Compression Fitting	1
<b>PARTS AVAILABLE - NOT SHOWN</b>			
	LPA3030	Regulator & Hose Assembly	1
	100416-01	Owner's Manual	1
	100407-01	Electrical Decal	1
	097815-05	General Information Decal	1
	097941-09	Tradename Decal (RLP375A)	1
	097895-05	Tradename Decal (BLP375A)	2
	097916-01	Baffle	1
	LPA1020	Hose	1
	LPA2020	Regulator	1
	LPA4020	Fuel Gas Connector	1

\* No Longer Available

**DESA International**

2701 Industrial Drive, P.O. Box 90004  
Bowling Green, KY 42102-9004  
Technical Service Department 1-800-323-5190  
Parts Department 1-800-972-7879

# HEATER EXPLODED VIEW



## CONNECTION DIAGRAM

### SPECIFICATIONS

Fuel	Propane Vapor
Fuel Rating (BTU/Hr)	225,000 to 375,000
Fuel Consumption Approximate Gallons Per Hour	2.5 Min./4.0 Max.
Pounds Per Hour	10.4 Min./17.4 Max.
Gas Supply Pressure For The Purpose Of Input Adjustment	
Minimum	25 psi
Maximum	Bottle Pressure
Regulator Outlet Pressure	7-20 psi
Hot Air Output Approximate (CFM)	1500
Motor (Thermally Protected)	1725 RPM, 1/5 hp
Electrical Input	120V, 60 Hz
Amperage	4.2
Ignition	Direct Spark
Weight Approximate (Lb.)	42
Shipping Weight Approximate (Lb.)	49
Size - Inches	
Length x Width x Height	34 x 13 x 19 1/2