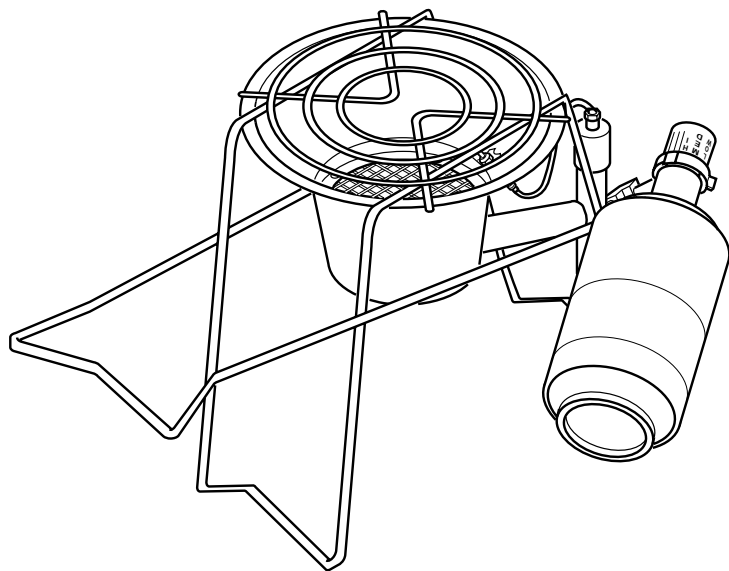


Infra-Red Tank Top Heater/Cooker Owner's Manual Model HD12CB



Heater Size: 8,000 – 12,000 Btu/Hr

Safety Information

Make certain you read and understand all warnings. Do not allow anyone who has not read this manual to operate the heater/cooker. Keep this manual for reference. It is your guide to safe and proper operation of this heater/cooker.

1. Read and understand this manual before assembling or using this heater/cooker. Improper use of this heater/cooker can cause serious injury.
2. For outdoor use only. Do not use inside house, camper, tent, vehicle, or any type of unvented or enclosed area.
3. Never operate heater/cooker while sleeping or unattended.
4. This heater produce carbon monoxide, which is listed by the state of California as a reproductive toxin under Proposition 65.
5. Keep children and animals away from heater.
6. Minimum heater/cooker clearances from combustibles:
Top, Front, and Sides: 3 Ft.
7. Only connect heater/cooker to 16.4 oz. propane bottle, unless special tank adaptor accessory is used (see *Accessory*, back panel of this manual).
8. Before connecting propane bottle to heater/cooker, make sure regulator knob is in the "OFF" position. Always connect and light heater/cooker in areas free of open flames.
9. Before each use, check heater for leaks. Never use an open flame to check for a leak. Apply a mixture of liquid soap and water to all joints. Bubbles forming show a leak. Correct all leaks at once.
10. Always use heater/cooker on a stable and level surface. Never operate heater/cooker on its side or tilted. Dangerous flare-ups or fire could result.
11. Keep children and animals away from heater/cooker.
12. Do not use heater/cooker below ground level. Propane is heavier than air. If a leak occurs, propane gas will sink to the lowest possible level. If you smell gas or suspect a leak, quickly turn regulator to "OFF" position and ventilate area. Do not strike match or create any flame or electric spark. Find and correct leak before attempting to light any appliance. If you cannot correct leak, do not tamper with heater/cooker. Return heater/cooker to nearest authorized service center or to address on back page of this manual, freight prepaid.
13. Do not move or handle a hot or operating heater/cooker. Do not attach or remove a propane bottle from a hot or operating heater/cooker. Severe burns may result.
14. Do not place foods directly on heater/cooker grill. Always use a proper cooking utensil, such as a pot or pan. Never use heater/cooker to heat combustible materials.
15. Do not place more than 25 pounds on cooker.
16. Always detach propane bottle from heater/cooker after each use. Follow manufacturer's guidelines for proper storage or disposal of propane bottle.

17. Keep all connections and fittings clean. Make sure the propane tank valve outlet is clean. Check the rubber washer on the heater/cooker inlet fuel connector for damage before each use. Replace if worn or damaged.
18. Check heater for damage before each use. Do not use a damaged heater. Do not alter heater. Keep heater in its original state. Do not use heater if altered.

Connecting Heater/Cooker To Propane Tank

Read and understand all safety information before connecting heater to propane bottle.

1. Make sure heater regulator knob is in the "OFF" position.
 2. Use only a 16.4 oz. propane bottle with heater/cooker, unless special tank adaptor accessory is used (see *Accessory*, back panel of this manual). With propane bottle in upward position, **HAND TIGHTEN** into regulator inlet (see Figure 1). Always make sure propane bottle points upward. Do not tilt propane bottle more than 30 degrees from vertical.
 3. Check all fittings for leaks. Apply a mixture of liquid soap and water to all joints. Bubbles forming show a leak. Correct all leaks at once.
- WARNING: Never use an open flame to check for a leak.**
4. Always remove propane bottle from heater/cooker after each use. Do not store heater while attached to propane bottle.

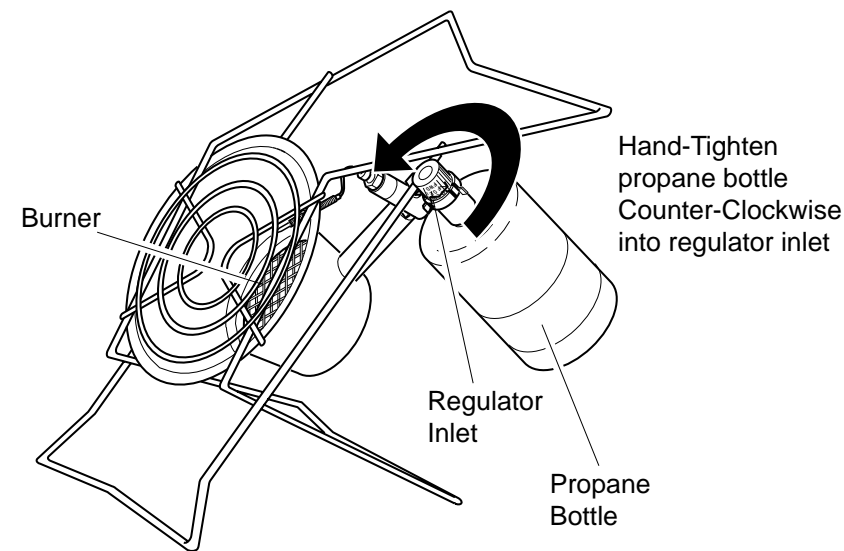


Figure 1 - Connecting Propane Bottle to Heater/Cooker

Continued

To Light Heater

Read and understand all safety information before operating heater.

1. Make sure there is no open flame in the area.
2. Turn regulator knob on propane bottle counterclockwise to the "HI" position (see Figure 2).
3. **WARNING: Stand to the side of unit while lighting. Do not stand or have any part of your body over or in front of heater/cooker while lighting.** Locate ignition hole in underside of burner (see Figure 2). Hold a lit match under ignition hole. **CAUTION: Do not insert match into air inlet holes in mixing tube.** Push in the safety shutoff valve plunger (see Figure 2). **WARNING: Do not push in safety shutoff valve plunger before inserting lit match.** Burner should light. Mesh screen on burner glows red when lit. After burner is lit, continue holding in safety shutoff valve plunger (about 10 to 30 seconds) until heater/cooker stays lit.
4. If the burner does not light within 30 seconds, turn regulator knob to the "OFF" position. Wait at least two minutes for the gas to dissipate before relighting.
5. If heater will not light after repeated tries, do not attempt to repair heater. Return heater to nearest authorized service center or to address on back panel of this manual, freight prepaid.
6. After burner lights, turn the heater regulator knob to the desired heat setting (LOW, MED, or HI).

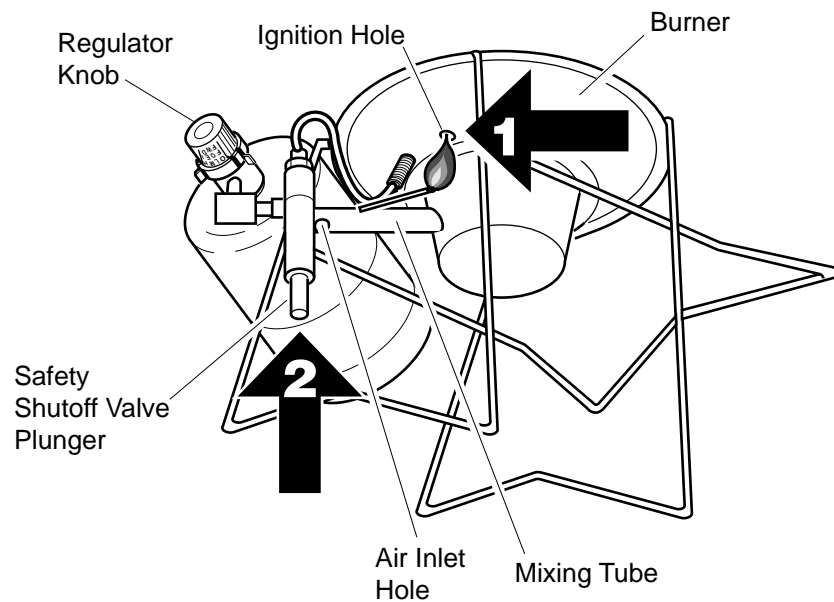


Figure 2 - Lighting Heater/Cooker

To Turn Off Heater

1. Turn regulator knob to the "OFF" position. Wait at least 15 minutes for the heater/cooker to cool before handling.
2. Always remove the heater from propane bottle after each use. Do not remove propane bottle until unit has cooled. Do not store heater/cooker while still attached to propane bottle. Remove propane bottle from heater/cooker by turning propane bottle counterclockwise. Always store propane bottle outdoors. Never store propane bottle in an enclosed area.

Technical Service and Replacement Parts

For assistance in servicing your heater and parts under warranty, contact the Technical Service Department at 1-800-323-5190 or visit our web site at www.desatech.com.

Parts Under Warranty: Contact authorized dealers of this product. If they can't supply original replacement parts, either contact your nearest authorized service center or call DESA International's Technical Service Department at 1-800-323-5190.

Parts Not Under Warranty: Contact authorized dealers of this product. If they can not supply these accessories or parts, either contact your nearest Parts Central or DESA International for referral information. Parts Centrals are listed in the Authorized Service Center booklet supplied with heater. Call DESA International's Parts Department at 1-800-972-7879 for referral information.

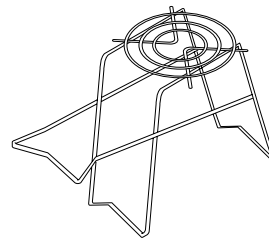
Accessory

P4122 Tank Adaptor

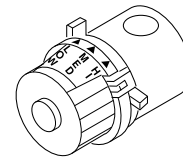
Adaptor hose (5') with fittings to connect heater/cooker to 20-pound propane tank.

Replacement Parts

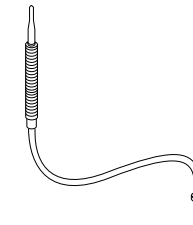
Item	Description	Part Number
1	Burner Guard/Stand	100928-01
2	Thermocouple	100886-01
3	Regulator	100910-02
4	Owner's Manual (not shown)	100927-01
5	Operation Tag (not shown)	101860-03
6	Burner Replacement Kit* (not shown)	LPA5050



Burner Guard/Stand



Regulator



Thermocouple

* Replaces burner screens that are worn, split or broken.

Heater Information

Btu Output

HI	12,000 Btu/Hr
MED	10,000 Btu/Hr
LOW	8,000 Btu/Hr

Length of Operation

1lb. Propane Bottle	1.8 hours
5 lb. Propane Tank	9 hours
11 lb. Propane Tank	20 hours
20 lb. Propane Tank	36 hours

Warranty Information

Propane Infra-Red Tank Top Heater/Cooker Limited Warranty

DESA International warrants this product and any parts thereof, to be free from defects in material and workmanship for one year from the date of first purchase, provided that the product has been properly installed, operated, and maintained in accordance with all applicable instructions. To make a claim under this warranty, the bill of sale or proof of purchase must be presented.

This warranty is extended only to the original retail purchaser. This warranty covers only the cost of parts required to restore this heater to proper operating condition. Warranty parts must be obtained through authorized dealers of this product and/or DESA International who will provide original factory replacement parts. Failure to use original factory replacement parts voids this warranty. The heater must be used in accordance with all local codes and instructions furnished with the unit.

This warranty does not apply to parts that are not in original condition because of normal wear and tear, or parts that fail or become damaged as a result of misuse, accidents, lack of proper maintenance, alteration, tampering, contaminated fuels, or defects caused by improper installation. Travel, transportation and incidental costs associated with warranty repair are not reimbursable under this warranty and are the responsibility of the owner.

TO THE FULL EXTENT ALLOWED BY THE LAW OF THE JURISDICTION THAT GOVERNS THE SALE OF THE PRODUCT: THIS EXPRESS WARRANTY EXCLUDES ANY AND ALL OTHER EXPRESSED WARRANTIES OF MERCHANTABILITY AND FITNESS FOR A PARTICULAR PURPOSE TO ONE YEAR FROM THE DATE OF FIRST PURCHASE; AND DESA INTERNATIONAL'S LIABILITY IS HEREBY LIMITED TO THE PURCHASE PRICE OF THE PRODUCT AND DESA INTERNATIONAL SHALL NOT BE LIABLE FOR ANY OTHER DAMAGES WHATSOEVER INCLUDING INDIRECT, INCIDENTAL OR CONSEQUENTIAL DAMAGES.

Some states do not allow a limitation on how long an implied warranty lasts or an exclusion or limitation of incidental or consequential damages, so the above limitation on implied warranties, or exclusion or limitation on damages may not apply to you.

This warranty provides the original retail purchaser with specific legal rights. For specific information regarding those rights, please consult the applicable state laws.

DESA
INTERNATIONAL

2701 Industrial Drive
P.O. Box 90004
Bowling Green, KY 42102-9004
www.desatech.com

100927-01
Rev. E
11/99