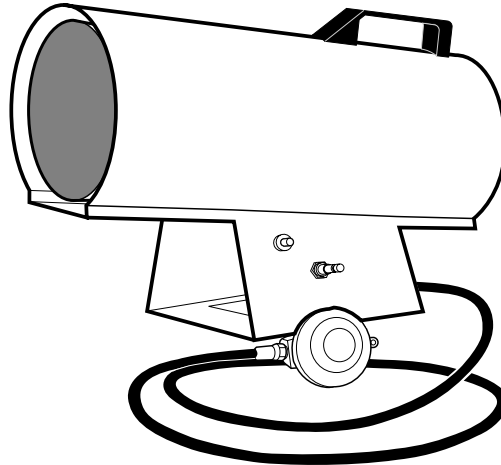


For more information, visit www.desatech.com

**30/35/40,000
Btu/Hr**



IMPORTANT: Read and understand this manual before assembling, starting or servicing heater. Improper use of heater can cause serious injury. Keep this manual for future reference.

⚠ GENERAL HAZARD WARNING:

FAILURE TO COMPLY WITH THE PRECAUTIONS AND INSTRUCTIONS PROVIDED WITH THIS HEATER, CAN RESULT IN DEATH, SERIOUS BODILY INJURY AND PROPERTY LOSS OR DAMAGE FROM HAZARDS OF FIRE, EXPLOSION, BURN, ASPHYXIATION, CARBON MONOXIDE POISONING, AND/OR ELECTRICAL SHOCK.

ONLY PERSONS WHO CAN UNDERSTAND AND FOLLOW THE INSTRUCTIONS SHOULD USE OR SERVICE THIS HEATER.

IF YOU NEED ASSISTANCE OR HEATER INFORMATION SUCH AS AN INSTRUCTIONS MANUAL, LABELS, ETC. CONTACT THE MANUFACTURER.

TABLE OF CONTENTS

SAFETY INFORMATION	2	MAINTENANCE	6
UNPACKING	3	SERVICE PROCEDURES	6
PRODUCT IDENTIFICATION	3	SPECIFICATIONS	8
THEORY OF OPERATION	3	TROUBLESHOOTING	9
ASSEMBLY	4	ILLUSTRATED PARTS BREAKDOWN AND PARTS LIST	10
PROPANE SUPPLY	4	ACCESSORIES	12
INSTALLATION	4	TECHNICAL SERVICE	12
VENTILATION	5	REPLACEMENT PARTS	12
OPERATION	5	OWNER'S REGISTRATION	13
STORAGE	6	WARRANTY AND REPAIR SERVICE	Back Cover

SAFETY INFORMATION

WARNINGS

⚠ WARNING: This product contains and/or generates chemicals known to the State of California to cause cancer or birth defects, or other reproductive harm.

⚠ WARNING: FIRE, BURN, INHALATION, AND EXPLOSION HAZARD. KEEP SOLID COMBUSTIBLES, SUCH AS BUILDING MATERIALS, PAPER OR CARDBOARD, A SAFE DISTANCE AWAY FROM THE HEATER AS RECOMMENDED BY THE INSTRUCTIONS. NEVER USE THE HEATER IN SPACES WHICH DO OR MAY CONTAIN VOLATILE OR AIRBORNE COMBUSTIBLES, OR PRODUCTS SUCH AS GASOLINE, SOLVENTS, PAINT THINNER, DUST PARTICLES OR UNKNOWN CHEMICALS.

⚠ WARNING: NOT FOR HOME OR RECREATIONAL VEHICLE USE.

The heater is designed for use as a construction heater in accordance with ANSI Z83.7•CGA2.14-2000. Other standards govern the use of fuel gases and heating products for specific uses. Your local authority can advise you about these. The primary purpose of construction heaters is to provide temporary heating of buildings under construction, alteration or repair. Properly used, the heater provides safe economical heating. Products of combustion are vented into the area being heated.

We cannot foresee every use which may be made of our heaters. Check with your local fire safety authority if you have questions about heater use.

Other standards govern the use of fuel gases and heat producing products for specific uses. Your local authorities can advise you about these.

Carbon Monoxide Poisoning: Some people are more affected by carbon monoxide than others. Early signs of carbon monoxide poisoning resemble the flu, with headaches, dizziness, and/or nausea. If you have these signs, the heater may not be working properly. Get fresh air at once! Check for proper ventilation and have heater serviced.

Propane Gas: Propane gas is odorless. An odor-making agent is added to propane gas. The odor helps you detect a propane gas leak. However, the odor added to propane gas can fade. Propane gas may be present even though no odor exists.

Make certain you read and understand all warnings. Keep this manual for reference. It is your guide to safe and proper operation of this heater.

- Install and use heater with care. Follow all local ordinances and codes. In the absence of local ordinances and codes, refer to the *Standard for Storage and Handling of Liquefied Petroleum Gas, ANSI/NFPA 58* and the *Propane Gas Installation Code, CAN/CGA B149.2*. This instructs on the safe storage and handling of propane gases.
- Use only the electrical voltage and frequency specified on model plate. The electrical connections and grounding of the heater shall follow the *National Electric Code, ANSI/NFPA 70* or the *Canadian Electrical Code, Part 1*.
- Electrical grounding instructions — This appliance is equipped with a three-prong (grounding) plug for your protection against shock hazard and should be plugged directly into a properly grounded three-prong receptacle or extension cord.
- This product has been approved for use in the Commonwealth of Massachusetts.
- Use only a three-prong, grounded extension cord.
- Use only the hose and factory preset regulator provided with the heater.
- Use only propane gas set up for vapor withdrawal.
- Provide adequate ventilation. Before using heater, provide at least a 1 1/2 square-foot (1400 cm²) opening of fresh, outside air.
- For indoor use only. Do not use heater outdoors.
- Do not use heater in occupied dwellings or in living or sleeping quarters.
- Do not use heater in basement or below ground level. Propane gas is heavier than air. If a leak occurs, propane gas will sink to the lowest possible level.
- Keep appliance area clear and free from combustible materials, gasoline, paint thinner, and other flammable vapors and liquids.
- Do not use heater in areas with high dust content. Dust is combustible.
- Minimum heater clearances from combustibles:
Outlet: 6 Ft. (1.83 m) Sides: 2 Ft. (0.61 m)
Top: 6 Ft. (1.83 m) Rear: 2 Ft. (0.61 m)
- Keep heater at least six feet from propane tank(s). Do not point heater at propane tank(s) within 20 feet.
- Keep propane tank(s) below 100° F. (37.8° C)
- Check heater for damage before each use. Do not use a damaged heater.
- Check hose before each use of heater. If highly worn or cut, replace with hose specified by manufacturer before using heater.
- Locate heater on stable and level surface if heater is hot or operating.
- Not intended for use on finished floors.

SAFETY INFORMATION

Continued

- Never block air inlet (rear) or air outlet (front) of heater.
- Keep heater away from strong drafts, water spray, rain, or dripping water.
- Do not leave heater unattended.
- Keep children and animals away from heater.
- Never move, handle, or service a hot, operating, or plugged-in heater. Severe burns may result. You must wait 15 minutes after turning heater off.
- To prevent injury, wear gloves when handling heater.
- Never attach duct work to front or rear of heater.
- Do not alter heater. Keep heater in its original state.
- Do not use heater if altered.
- Turn off propane supply and unplug heater when not in use.
- Use only original replacement parts. This heater must use design-specific parts. Do not substitute or use generic parts. Improper replacement parts could cause serious or fatal injuries.

UNPACKING

1. Remove all packing items applied to heater for shipment. Keep plastic cover caps (attached to inlet connector and hose/regulator assembly) for storage.
2. Remove all items from carton.
3. Check all items for shipping damage. If heater is damaged, promptly inform dealer where you bought heater.

PRODUCT IDENTIFICATION

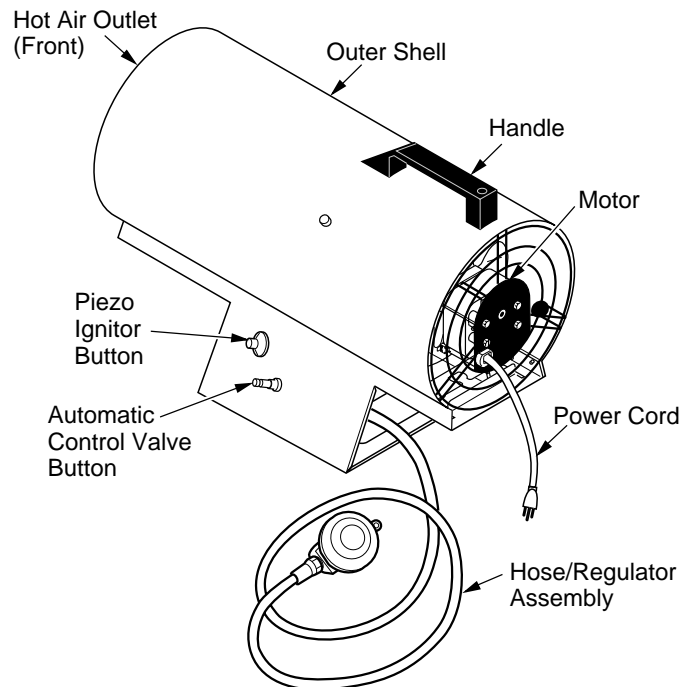


Figure 1 - 30,000 Btu/Hr Model Shown

THEORY OF OPERATION

The Fuel System: The hose/regulator assembly attaches to the propane gas supply. This provides fuel to the heater.

The Air System: The motor turns the fan. The fan pushes air into and around the combustion chamber. This air is heated and provides a stream of clean, hot air.

The Ignition System: The piezo ignitor lights the burner.

The Automatic Control System: This system causes the heater to shut down if the flame goes out.

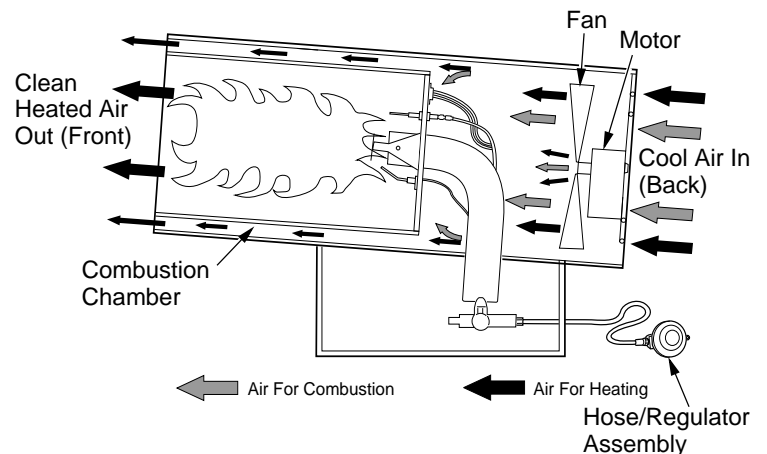


Figure 2 - Cross Section Operational View

ASSEMBLY

1. Remove screw from top of fan guard (see Figure 3). Discard screw.
2. Insert nut clip (provided with handle) with flat side facing up through slot in top of shell. Align holes in nut clip with screw hole behind slot in top of shell. (see Figure 4).
3. Place handle over hole and clip. Insert two screws (provided with handle) through handle and tighten into shell (see Figure 3). Make sure rear screw goes through shell and into fan guard. Tighten screws firmly.

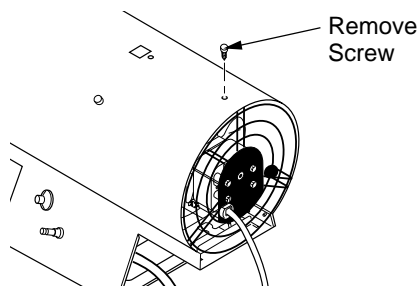


Figure 3 - Removing Screw from Top of Fan Guard

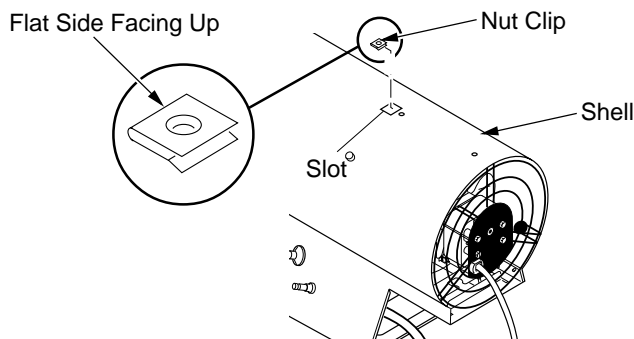


Figure 4 - Installing Nut Clip

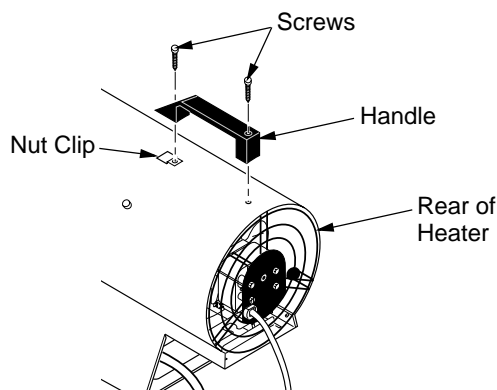


Figure 5 - Attaching Handle

PROPANE SUPPLY

Propane gas and propane tank(s) are to be furnished by the user.

Use this heater only with a propane vapor withdrawal supply system. See Chapter 5 of the *Standard for Storage and Handling of Liquefied Petroleum Gas, ANSI/NFPA 58 and/or CAN/CGA B149.2*. Your local library or fire department will have this booklet.

The amount of propane gas ready for use from propane tanks varies. Two factors decide this amount:

1. The amount of propane gas in tank(s)
2. The temperature of tank(s)

This heater is designed to operate with a minimum 20-pound (9 kg) propane tank. You may need two or more tanks or one larger tank in colder weather. Use a 100-pound (45 kg) tank for longer operation or in very cold weather. Less gas is vaporized at lower temperatures. Your local propane gas dealer will help you select the proper supply system. The minimum surrounding air temperature rating for each heater is -20°F (-29°C).

Average Temp °F (°C) At Tank Location	No. Of Tanks 100-pound (45 kg)
40°(4°)	1
32°(0°)	1
20°(-7°)	1
10°(-12°)	1
0°(-18°)	1
-10°(-23°)	2
-20°(-29°)	2

INSTALLATION

⚠ WARNING: Review and understand the warnings in the *Safety Information* section, page 2. They are needed to safely operate this heater. Follow all local codes when using this heater.

⚠ WARNING: Test all gas piping and connections for leaks after installation or servicing. Never use an open flame to check for a leak. Apply a mixture of liquid soap and water to all joints. Bubbles forming show a leak. Correct all leaks at once.

1. Provide propane supply system (see *Propane Supply*).
2. Connect POL fitting on hose/regulator assembly to propane tank(s). Turn POL fitting counterclockwise into threads on tank. Tighten firmly using wrench. **IMPORTANT:** Position regulator so that hose leaving the regulator is in a horizontal position (see Figure 6, page 5). This places the regulator vent in the proper position to protect it from the weather.

INSTALLATION

Continued

- Connect hose to valve inlet (see Figure 7). Tighten firmly using a wrench.

IMPORTANT: Use extra hose or piping if needed. Install extra hose or piping between hose/regulator assembly and propane tank. You must use the regulator supplied with heater.

- Open propane supply valve on propane tank(s) slowly. *Note:* If not opened slowly, excess-flow check valve on propane tank will stop gas flow. You may hear a click from the excess-flow check valve closing. If this happens, reset the excess-flow check valve by closing propane supply valve and open again slowly.
- Check all connections for leaks. Apply mixture of liquid soap and water to gas joints. Bubbles forming show a leak that must be corrected.
- Close propane supply valve.

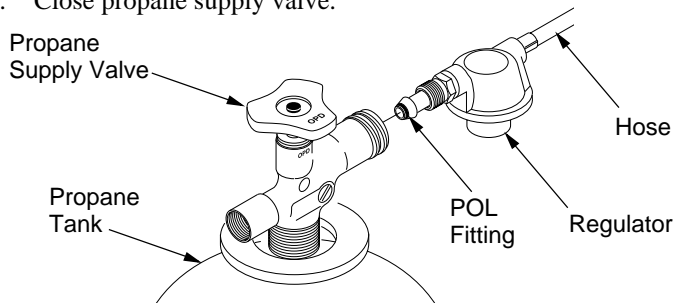


Figure 6 - Regulator Position

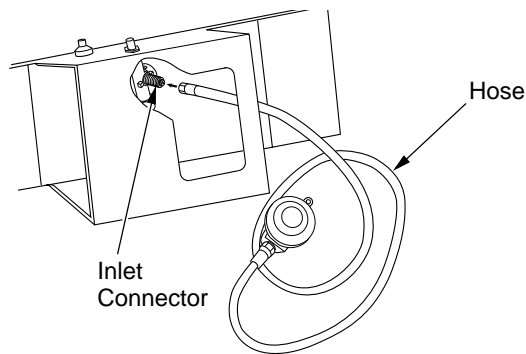


Figure 7 - Hose and Inlet Connector

VENTILATION

WARNING: Provide at least a 1 1/2 square foot (1400 cm²) opening of fresh, outside air while running heater. If proper fresh, outside air ventilation is not provided, carbon monoxide poisoning can occur. Provide proper fresh, outside air ventilation before running heater.

OPERATION

WARNING: Review and understand the warnings in the *Safety Information* section, page 2. They are needed to safely operate this heater. Follow all local codes when using this heater.

TO START HEATER

- Follow all installation, ventilation, and safety information.
- Locate heater on stable and level surface. Make sure strong drafts do not blow into front or rear of heater.
- Plug power cord of heater into a three-prong, grounded extension cord. Extension cord must be at least six feet long. Extension cord must be UL listed.

Extension Cord Wire Size Requirements

- Up to 50 ft (15.24 m) long, use 18 AWG rated cord.
 - 51 to 100 ft (15.54 to 30.48 m) long, use 16 AWG rated cord.
 - 101 to 200 ft (30.78 to 60.96 m) long, use 14 AWG rated cord.
- Plug extension cord into a 120 volt/60 hertz, 3-hole, grounded outlet. Motor will start. Fan will turn, forcing air out front of heater.
 - Open propane supply valve on propane tank(s) slowly. *Note:* If not opened slowly, excess-flow check valve on propane tank will stop gas flow. You may hear a click from the excess-flow check valve closing. If this happens, reset the excess-flow check valve by closing propane supply valve and open again slowly.

WARNING: Be sure motor and fan are running before pushing in automatic control valve button. Flames could flash outside heater if motor and fan are not running.

- Push in and hold automatic control valve button (see Figure 8). Push piezo ignitor button (see Figure 8). Keep pushing ignitor button until the burner lights. When burner lights, keep automatic control valve button pushed in. Release button after 30 seconds. This activates the automatic control system.

Note: If heater fails to ignite, hose may have air in it. If so, keep automatic control valve button pressed and wait 20 seconds. Release automatic control valve button and wait 20 seconds for unburned fuel to exit heater. Repeat this step.

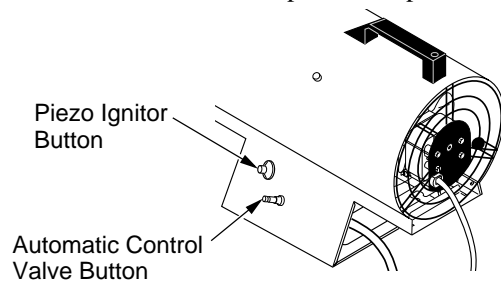


Figure 8 - Automatic Control Valve Button and Piezo Ignitor Button

OPERATION

Continued

NOTICE: If heater is unplugged or power outage occurs while heater is running, the thermal limit device will stop fuel flow. A few seconds occur before the thermal limit device activates. During this short time, flames may appear outside the heater. This is normal. The flames will go out when thermal limit device activates.

TO STOP HEATER

1. Tightly close propane supply valve on propane tank(s).
2. Wait a few seconds. Heater will burn gas left in supply hose.
3. Unplug heater.

TO RESTART HEATER

1. Wait five minutes after stopping heater.
2. Repeat steps under *To Start Heater*, page 5.

STORAGE

CAUTION: Disconnect heater from propane supply tank(s).

1. Store propane tank(s) in safe manner. See Chapter 5 of *Standard for Storage and Handling of Liquefied Petroleum Gases, ANSI/NFPA 58*. Follow all local codes. Always store propane tanks outdoors.
2. Place plastic cover caps over brass fittings on inlet connector and hose/regulator assembly.
3. Store in dry, clean, and safe place. Do not store hose/regulator assembly inside heater combustion chamber.
4. When taking heater out of storage, always check inside of heater. Insects and small animals may place foreign objects in heater. Remove motor and other internal parts if needed to remove foreign objects (see *Service Procedures*).

MAINTENANCE

WARNINGS

- Never service heater while it is plugged in, connected to propane supply, operating, or hot. Severe burns and electrical shock can occur.
- Keep heater clear and free from combustible materials, gasoline, and other flammable vapors and liquids.
- Do not block the flow of combustion or ventilation air.

1. Keep heater clean. Clean heater annually or as needed to remove dust and debris. If heater is dirty or dusty, clean heater with a damp cloth. Use household cleaners on difficult spots.
2. Inspect heater before each use. Check connections for leaks. Apply mixture of liquid soap and water to connections. Bubbles forming show a leak. Correct all leaks at once.
3. Inspect hose/regulator assembly before each use. If hose is highly worn or cut, replace with hose specified by manufacturer.
4. Have heater inspected yearly by a qualified service agency.
5. Keep inside of heater free from combustible and foreign objects. Remove motor and other internal parts if needed to clean inside of heater (see *Service Procedures*).
6. Clean fan blades each season or as needed (see *Fan*, page 7).

SERVICE PROCEDURES

WARNING: Never service heater while it is plugged in, connected to propane supply, operating, or hot. Severe burns and electrical shock can occur.

ELECTRICAL SYSTEM

The entire electrical system for this heater is contained within the motor. If any part of the electrical system is damaged, you must replace motor.

MOTOR

1. Remove three screws that attach fan guard to heater shell.
2. Remove motor and fan guard from heater shell (see Figure 9).
3. Use hex wrench to loosen set screw which holds fan to motor shaft (see Figure 10, page 7). Remove fan. Be careful not to damage the fan blade pitch.
4. Remove two nuts and two screws that attach fan guard to motor using nut-driver. Remove fan guard from motor (see Figure 11, page 7).

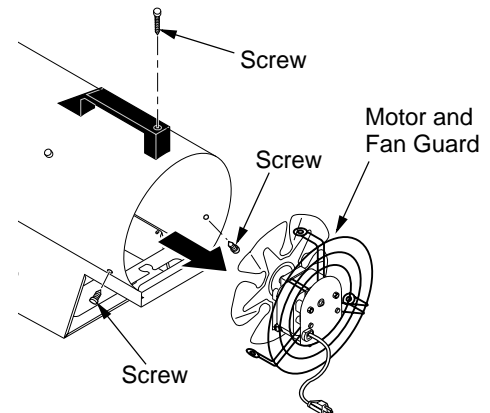


Figure 9 - Removing Motor and Fan Guard from Heater

SERVICE PROCEDURES

Continued

5. Disconnect the green power cord wire from motor and remove black and white wire terminals.
6. Discard old motor.
7. Attach green power cord wire to motor.
8. Attach fan guard to new motor with two nuts and two screws.
9. Replace black and white terminals.
10. Place fan onto motor shaft of new motor. Make sure set screw contacts flat surface on motor shaft. Tighten set screw firmly (40-50 inch-pounds [46.08-57.60 kilogram-centimeters]).
11. Place motor and fan guard into rear of heater shell. Make sure power cord is properly located (see Figure 12).
12. Insert three screws through heater shell and into fan guard (see Figure 12). Tighten screws firmly.

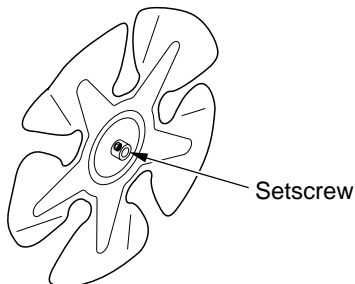


Figure 10 - Setscrew Location

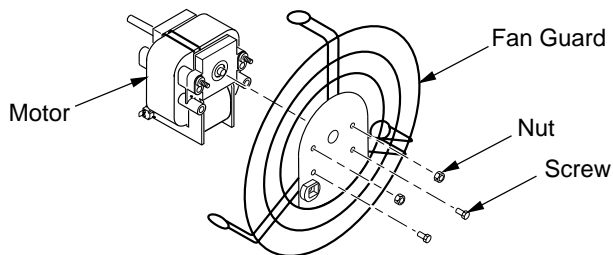


Figure 11 - Removing or Attaching Fan Guard from Motor

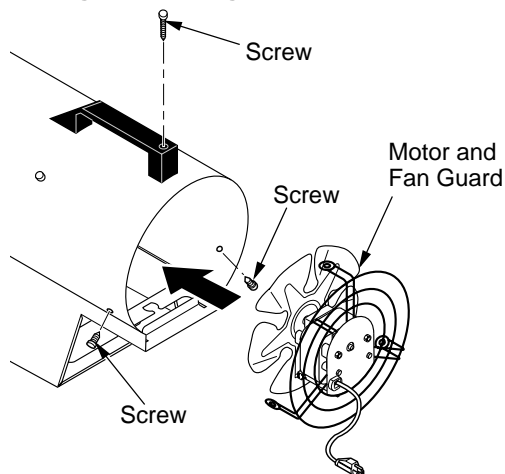


Figure 12 - Replacing Motor and Fan Guard Into Heater

FAN

1. Remove three screws that attach fan guard to heater shell.
2. Remove motor and fan guard from heater shell (see Figure 9, page 6).
3. Use hex wrench to loosen set screw that holds fan to motor shaft (see Figure 10).
4. Remove fan. Be careful not to damage the fan blade pitch.
- 5a. If replacing fan, remove old fan and discard. Go to step 7 below.
- 5b. If cleaning fan, use soft cloth moistened with kerosene or solvent.
6. Dry fan thoroughly.
7. Place fan onto motor shaft. Make sure set screw contacts flat surface on motor shaft. Tighten set screw firmly (40-50 inch-pounds [46.08-57.60 kilogram-centimeters]).
8. Place motor and fan guard into rear of heater shell. Make sure power cord is properly located (see Figure 12).
9. Insert three screws through heater shell and into fan guard. Tighten screws firmly.

IGNITOR

1. Remove motor and fan guard from heater (see *Motor*, page 6, steps 1 and 2).
2. Remove black ignitor wire from piezo ignitor. Access ignitor wire through underside of heater base (see Figure 13). Push wire up through notch in filler panel.
3. Remove ignitor mounting screw from rear head using nut-driver or standard screwdriver (see Figure 14).
4. Remove ignitor from rear head.

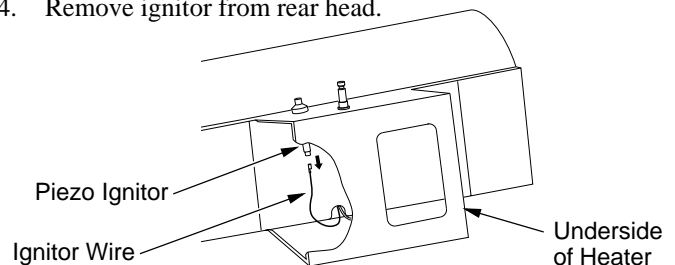


Figure 13 - Removing Ignitor Wire from Piezo Ignitor

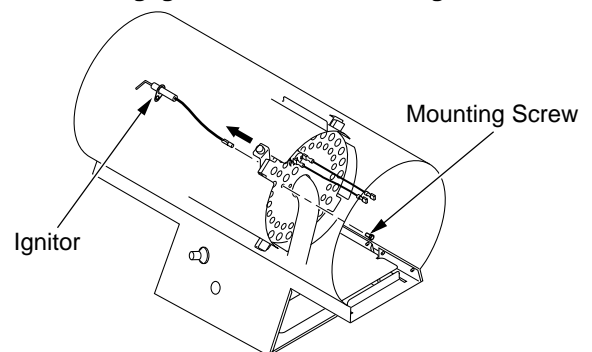


Figure 14 - Removing Ignitor Mounting Screw and Ignitor

SERVICE PROCEDURES

Continued

5. Install new ignitor. Attach ignitor to rear head with ignitor mounting screw.
6. Run ignitor wire from new ignitor through notch in filler panel. Attach ignitor wire to piezo ignitor.
7. Set gap between ignitor electrode and target plate to .17" (43.18 cm) (see Figure 15).

⚠ WARNING: Make sure heater is disconnected from propane supply. Heater could ignite causing severe burns.

8. Test for spark. Push piezo ignitor button and watch for spark between ignitor electrode and target plate.
9. Place motor and fan guard into rear of heater shell (see *Motor*, page 7, steps 9 and 10).

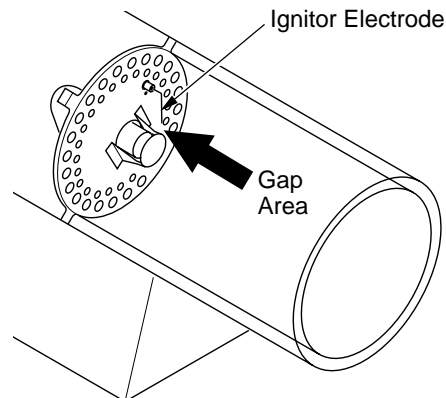


Figure 15 - Clearance Between Ignitor Electrode and Target Plate

SPECIFICATIONS

Output Rating (BTU/Hr)	30,000	35,000	40,000
Fuel	Propane Vapor Only	Propane Vapor Only	Propane Vapor Only
Fuel Consumption			
Gallons (liters)/Hour	.33 (1.25)	.38 (1.44)	.44 (1.65)
Pounds (kg)/Hour	1.4 (0.63)	1.62 (0.74)	1.86 (0.84)
Supply Pressure To Regulator			
Minimum (for purposes of input adjustment)	20 psi	20 psi	20 psi
Maximum	Tank Pressure or 200 psi	Tank Pressure or 200 psi	Tank Pressure or 200 psi
Regulator Outlet Pressure	10 PSI	10 PSI	10 PSI
Manifold Pressure	10.1 PSI	9.7 PSI	9.7 PSI
Hot Air Output (CFM Approx)	175	175	175
Motor	3045 RPM, 1/40 HP	3045 RPM, 1/40 HP	3045 RPM, 1/40 HP
Electric Input	120 volt/60 hertz	120 volt/60 hertz	120 volt/60 hertz
Amperage	.6	.6	.6
Ignition	Manual, Piezo	Manual, Piezo	Manual, Piezo
Temperature Range for Heater Operation	-20° F to 85° F * (-29° C to 29.4° C)*	-20° F to 85° F * (-29° C to 29.4° C)*	-20° F to 85° F * (-29° C to 29.4° C)*
Weight			
Heater	11 lbs. (4.98 kg)	11 lbs. (4.98 kg)	11 lbs. (4.98 kg)
Shipping	13 lbs. (5.89 kg)	13 lbs. (5.89 kg)	13 lbs. (5.89 kg)
Size - L x W x H			
Carton	19.4" x 9.75" x 14.75" (49.27 x 24.76 x 37.46 cm)	19.4" x 9.75" x 14.75" (49.27 x 24.76 x 37.46 cm)	19.4" x 9.75" x 14.75" (49.27 x 24.76 x 37.46 cm)
Heater	18.5" x 7.7" x 12.8" (46.99 x 19.55 x 32.51 cm)	18.5" x 7.7" x 12.8" (46.99 x 19.55 x 32.51 cm)	18.5" x 7.7" x 12.8" (46.99 x 19.55 x 32.51 cm)

* When running heater in temperatures above 85° F (29.44° C), high internal temperatures may cause thermal limit device to shut down heater.

For more information, visit www.desatech.com

TROUBLESHOOTING

Note: For additional help, visit DESA Heating Products' Technical Service web site at www.desatech.com.

⚠ WARNING: Never service heater while it is plugged in, connected to propane supply, operating, or hot. Severe burns and electrical shock can occur.

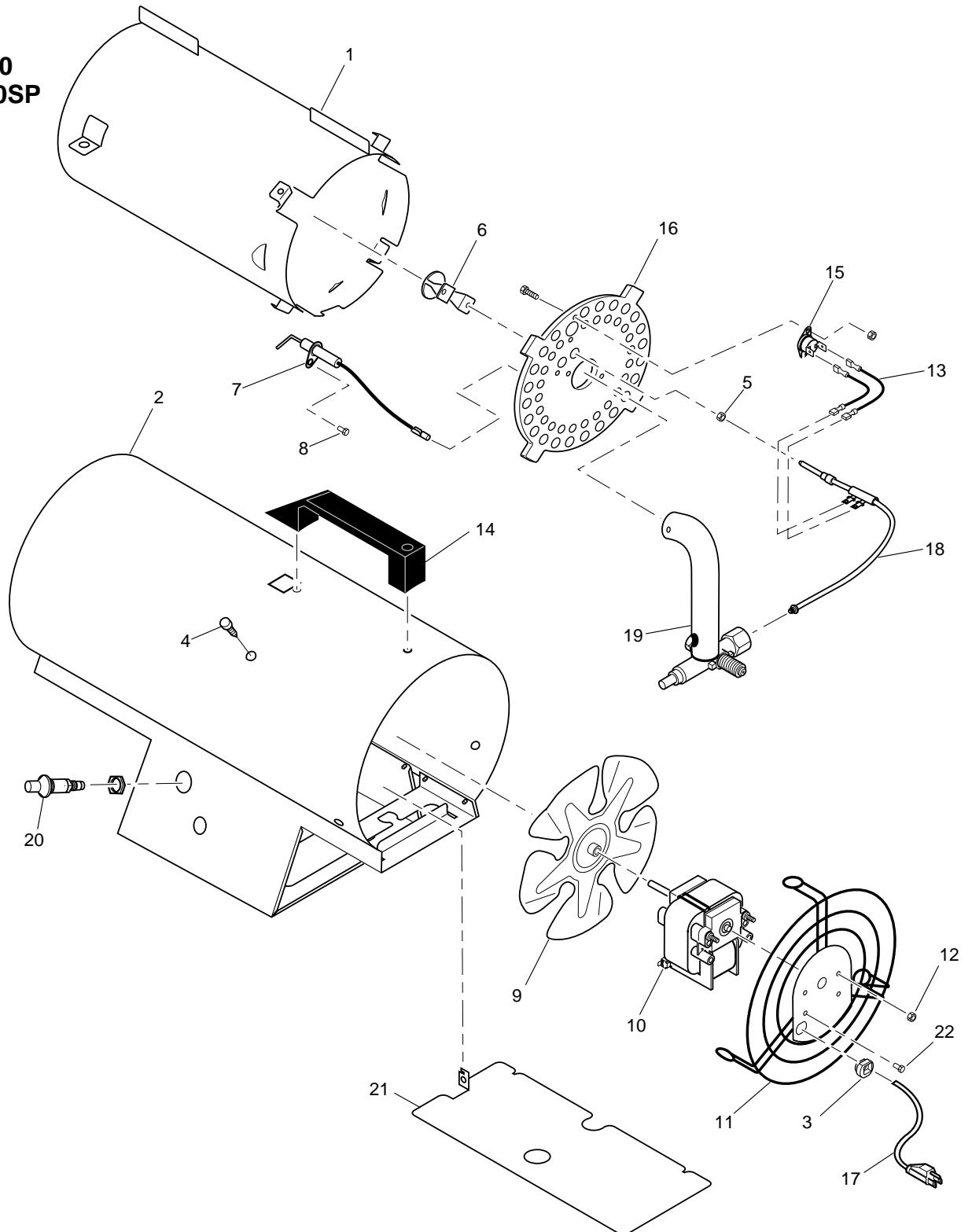
OBSERVED FAULT	POSSIBLE CAUSE	REMEDY
Fan does not turn when heater is plugged in.	<ol style="list-style-type: none"> 1. No electrical power to heater 2. Fan hitting inside of heater shell 3. Fan blades bent 4. Defective motor 	<ol style="list-style-type: none"> 1. Check voltage to electrical outlet. If voltage is good, check heater power cord for breaks 2. Adjust motor/fan guard to keep fan from hitting inside of heater shell. Bend fan guard if necessary 3. Replace fan. See <i>Fan</i>, page 7 4. Replace motor. See <i>Motor</i>, page 6
Heater will not ignite.	<ol style="list-style-type: none"> 1. User did not follow installation or operation instructions properly 2. No spark at ignitor. To test for spark, follow step 8 under <i>Ignitor</i>, page 9. If you see spark at ignitor, have heater serviced by qualified service person. If no spark seen: <ol style="list-style-type: none"> A) Loose or disconnected ignitor wire B) Wrong spark gap C) Piezo ignitor loose D) Bad ignitor electrode 	<ol style="list-style-type: none"> 1. Repeat installation and operation instructions. See <i>Installation</i>, page 4 and <i>Operation</i>, page 5 2. A) Check ignitor wire. Tighten or reattach loose ignitor wire. See Figure 14, page 7 for ignitor wire location B) Set gap between ignitor electrode and target plate to .17" (43.18 cm) C) Tighten nut holding piezo ignitor to base of heater D) Replace ignitor electrode. See <i>Ignitor</i>, page 7
Heater shuts down while running.	<ol style="list-style-type: none"> 1. High surrounding air temperature causing thermal limit device to shut down heater 2. Restricted air flow 3. Damaged fan 4. Excessive dust or debris in surrounding area 	<ol style="list-style-type: none"> 1. This can happen when running heater in temperatures above 85°F (29.44° C). Run heater in cooler temperatures 2. Check heater inlet and outlet. Remove any obstructions 3. Replace fan. See <i>Fan</i>, page 7 4. Clean heater. See <i>Maintenance</i>, page 6

⚠ WARNING: Use only in areas free of high dust content.

ILLUSTRATED PARTS BREAKDOWN

MODELS

RLLP35, RLP30
RM40LP, RM40SP



PARTS LIST

This list contains replaceable parts used in your heater. When ordering parts, follow the instructions listed under *Replacement Parts* on page 12 of this manual.

KEY NO.	PART NUMBER			DESCRIPTION	QTY.
	RLP30	RLLP35	RM40LP RM40SP		
1	**	**	**	Combustion Chamber	1
2	**	**	**	Unichassis	1
3	M11143-1	M11143-1	M11143-1	Bushing, Strain Relief	1
4	M11084-27	M11084-27	M11084-27	Screw	5
5	099237-01	099237-01	099237-01	Thermocouple Nut	2
6	103894-01	103894-01	103894-01	Target Bracket Kit	1
7	104784-01	104784-01	104784-01	Electrode Ignitor	1
8	M11084-38	M11084-38	M11084-38	Hex Tap Screw, #8-18 x 3/8"	1
9	101478-02	101478-02	101478-02	Fan	1
10	104156-01	104156-01	104156-01	Motor Assembly	1
11	103863-01	103863-01	103863-01	Fan Guard	1
12	097384-02	097384-02	097384-02	Captive Washer Nut	2
13	101480-12	101480-12	101480-12	Wire Assembly	1
14	104786-01	104786-01	104786-01	Handle Assembly	1
15	101732-06	101732-05	101732-05	Thermal Switch Kit	1
16	103895-01	103895-01	103895-01	Rear Head Kit	1
17	098219-17	098219-17	098219-17	Cord, Power Supply	1
18	104146-01	104146-01	104146-01	Thermocouple	1
19	104144-01	104144-02	104144-03	Valve/Orifice/Burner Tube Assembly	1
20	102445-01	102445-01	102445-01	Piezo Ignitor Kit	1
21	**	**	**	Filler Panel	1
22	M12461-14	M12461-14	M12461-14	Hex Screw, 8-32 x 3/8	4
PARTS AVAILABLE - NOT SHOWN					
	109111-02	109111-02	110396-02	Tradename Decal	2
	104161-04	104161-04	104161-04	General Information Decal	1
	104160-03	104160-03	104160-03	Operation Decal	1
	111632-01	111632-02	111632-03	Model Data Decal	1

** Not a field replaceable part.

ACCESSORIES

Purchase accessories and parts from your nearest dealer or service center. If they can not supply an accessory or part, either contact your nearest Parts Central (listed in the separate Authorized Service Center booklet) or contact DESA Heating Products for referral information.

DESA Heating Products

P.O. Box 90004
Bowling Green, KY
42102-9004
1-866-672-6040

Part Number	Description
LPA1020	10' (3.04 m) Rubber Hose with Brass Fitting U.L. listed.
LPA2170	Propane Gas Regulator U.L. listed.
LPA3120	Hose/Regulator Assembly U.L. listed.
LPA4020	Fuel Gas Connector Connects regulator to all standard propane tanks. U.L. and A.G.A. listed.

TECHNICAL SERVICE

You may have further questions about this heater. If so, contact DESA Heating Products' Technical Service Department at 1-866-672-6040. When calling, please have your model and serial numbers of your heater ready.

You can also visit DESA Heating Products' Technical Service web site at www.desatech.com.

REPLACEMENT PARTS

⚠ WARNING: Use only original replacement parts. This heater must use design-specific parts. Do not substitute or use generic parts. Improper replacement parts could cause serious or fatal injuries. This will also protect your warranty coverage for parts replaced under warranty.

Parts Under Warranty

Contact authorized dealers of this product. If they can't supply original replacement part(s), either contact your nearest Parts Central or call DESA Heating Products' Technical Service Department at 1-866-672-6040.

When calling DESA Heating Products, have ready

- your name
- your address
- model number of your heater
- how heater was malfunctioning
- purchase date

Parts Not Under Warranty

Contact authorized dealers of this product. If they can't supply original replacement part(s), either contact your nearest Parts Central (listed in Authorized Service Center booklet) or call DESA Heating Products at 1-866-672-6040 for referral information.

When calling DESA Heating Products, have ready

- model number of your heater
- the replacement part number

OWNER'S REGISTRATION FORM

Complete registration form and mail or complete on-line registration at www.desatech.com within 30 days after purchase.

Brand: _____ (Reddy Heater, Master, Remington, etc.)
 Model: _____ (R60, HD15, etc.)
 Date Purchased: _____ Note: Keep receipt for warranty verification.
 Serial Number: _____ 7 or 9 digit number located on product or identification tag.
 First Name: _____ Last Name: _____
 Address: _____
 City: _____ State: _____ Zip: _____ Country: _____
 Phone: (____) _____ - _____ E-Mail: _____

Please answer the following questions to register your product with DESA Heating Products:

1. Who will heater be used by? Individual Business
2. Will you use your heater in more than one location? Yes No
3. Where will the product be used? (You may select more than one.) Workshop Barn Residential Construction
 Commercial Construction Garage Factory Recreation Warehouse Utility Shed/Outbuilding
 Other _____ (Specify)
4. Cost of product (excluding sales tax)? \$ _____
5. Maintenance/service work will be performed by: Self Service Center Other _____
6. If you bought this product yourself, did you plan to purchase this type of product before going into the store? Yes No
7. Type of store where product was purchased? Hardware Propane Dealer Natural Gas/Utility Co. Home Center or Builder's Supply
 Farm/Ag. Supply Auto Parts Warehouse Club Industrial/Contractor Supply Rental Store
 Discount Store HVAC Dealer Other _____
8. What is your primary source of heat? Propane (LP Gas) Natural Gas Kerosene Diesel Electric Other _____
9. What motivated you to buy this product? Sudden Cold Weather Replace Older Model D.I.Y. Home Project Emergency Back-Up Heat
 Heater on Sale Construction Project Hard to Heat Location Other _____
10. How did you learn about this product brand? Advertisement Relative or Friend Co-Worker Store Representative
 Store Display Previously Owned a Heater Other _____ (Specify)
11. What other brands did you consider? None Master Remington All-Pro Dayton Universal Mr. Heater L.B. White Tradesman
 John Deere Dyna-Glo Dura-Heat Paulin Coleman Vogelzang American Other _____
12. Who selected the product? Male Female Both
13. Level of Education of Purchaser: High School Vocation/Technical School Some College Completed College Graduate School
14. Age of Purchaser: Under 20 20 - 29 30 - 39 40 - 49 50 - 59 60 or Over
15. Buyer's total annual household income: Under \$19,999 \$20,000 to \$34,999 \$35,000 to \$49,999
 \$50,000 to \$74,999 \$75,000 to \$99,999 \$100,000 and Over
16. What is the population of your area? Under 10,000 10,000 to 25,000 25,000 to 50,000 50,000 to 100,000
 100,000 to 250,000 Over 250,000
17. Store where product was purchased:
 Name: _____ City: _____ State: _____
18. In choosing this product, how important were the following:

	Not	Somewhat	Very		Not	Somewhat	Very
Availability	<input type="radio"/>	<input type="radio"/>	<input type="radio"/>	Size	<input type="radio"/>	<input type="radio"/>	<input type="radio"/>
Price	<input type="radio"/>	<input type="radio"/>	<input type="radio"/>	Prior Brand Experience	<input type="radio"/>	<input type="radio"/>	<input type="radio"/>
Brand Name	<input type="radio"/>	<input type="radio"/>	<input type="radio"/>	Built-In Thermostat	<input type="radio"/>	<input type="radio"/>	<input type="radio"/>
Overall Quality	<input type="radio"/>	<input type="radio"/>	<input type="radio"/>	Ease of Operation	<input type="radio"/>	<input type="radio"/>	<input type="radio"/>
Heat Output (Btu/Hr Rating)	<input type="radio"/>	<input type="radio"/>	<input type="radio"/>	Special Features	<input type="radio"/>	<input type="radio"/>	<input type="radio"/>
Variable Heat Output (Btu/Hr)	<input type="radio"/>	<input type="radio"/>	<input type="radio"/>	Salesperson's Recommendation	<input type="radio"/>	<input type="radio"/>	<input type="radio"/>
Made in USA	<input type="radio"/>	<input type="radio"/>	<input type="radio"/>	Friend/Relative's Recommendation	<input type="radio"/>	<input type="radio"/>	<input type="radio"/>
Warranty	<input type="radio"/>	<input type="radio"/>	<input type="radio"/>	Portability	<input type="radio"/>	<input type="radio"/>	<input type="radio"/>
Local Service	<input type="radio"/>	<input type="radio"/>	<input type="radio"/>	Quiet Operation	<input type="radio"/>	<input type="radio"/>	<input type="radio"/>
Value for Price	<input type="radio"/>	<input type="radio"/>	<input type="radio"/>				
19. This question will allow us to better understand the demographic profile of our customers. Which of the following best describes you? (not required)
 African American Asian American Mexican Puerto Rican Cuban Other Hispanic White Other _____

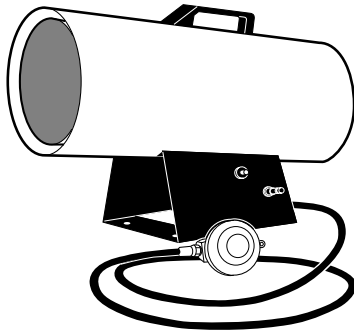
TAPE

Postage
Required

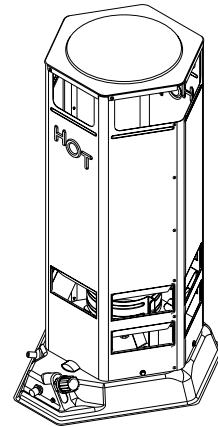
DESATM
HEATING PRODUCTS
2701 Industrial Drive
P.O. Box 90004
Bowling Green, KY 42102-9004

TAPE

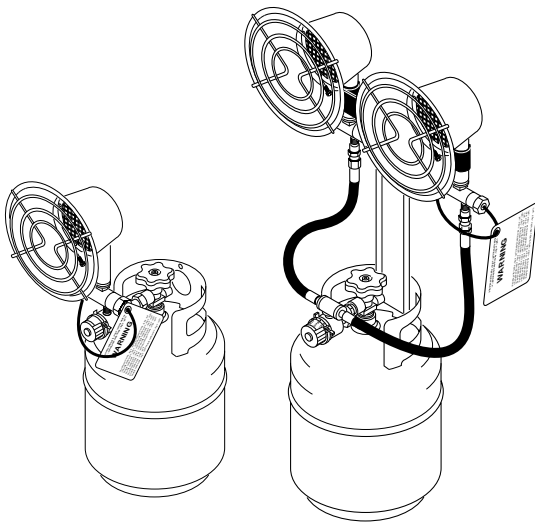
OTHER OUTDOOR HEATING PRODUCTS



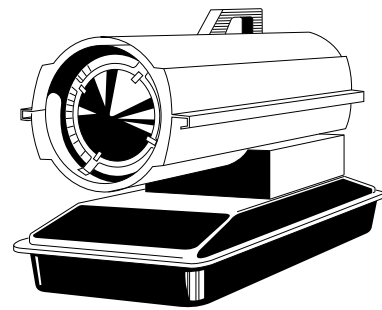
PROPANE/LP FORCED AIR HEATERS



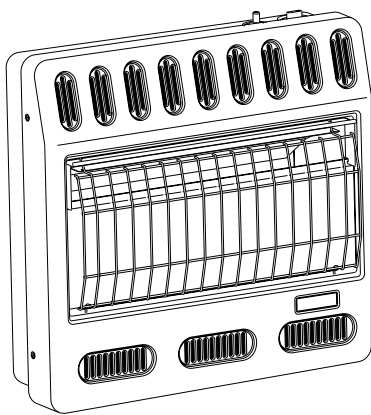
PROPANE/LP CONVECTION HEATERS



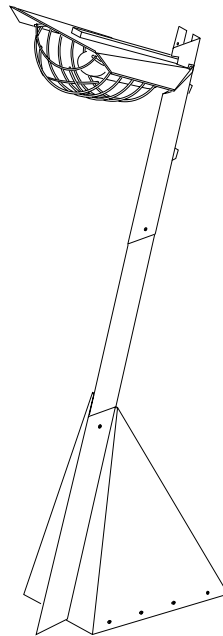
PROPANE/LP TANK TOP HEATERS



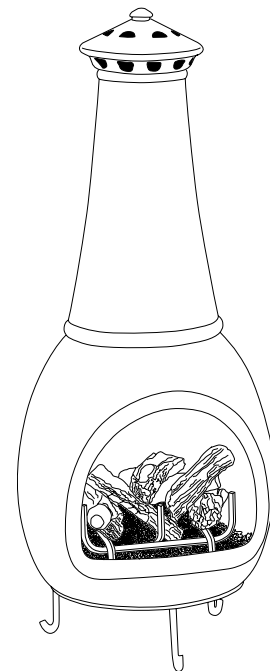
PORTABLE KEROSENE/DIESEL FORCED AIR HEATERS



PROPANE/LP AND NATURAL GAS GARAGE HEATERS



PROPANE/LP PATIO HEATERS



PROPANE/LP AND NATURAL GAS CHIMENEAS

WARRANTY AND REPAIR SERVICE

KEEP THIS WARRANTY

Model _____

Serial No. _____

Date of Purchase _____

LIMITED WARRANTY

DESA Heating Products warrants this product and any parts thereof, to be free from defects in materials and workmanship for one (1) year from the date of first purchase when operated and maintained in accordance with instructions. This warranty is extended only to the original retail purchaser, when proof of purchase is provided.

This warranty covers only the cost of parts and labor required to restore the product to proper operating condition. Transportation and incidental costs associated with warranty repairs are not reimbursable under this warranty.

Warranty service is available only through authorized dealers and service centers.

This warranty does not cover defects resulting from misuse, abuse, negligence, accidents, lack of proper maintenance, normal wear, alteration, modification, tampering, contaminated fuels, repair using improper parts, or repair by anyone other than an authorized dealer or service center. Routine maintenance is the responsibility of the owner.

THIS EXPRESS WARRANTY IS GIVEN IN LIEU OF ANY OTHER WARRANTY EITHER EXPRESSED OR IMPLIED, INCLUDING WARRANTIES OF MERCHANTABILITY AND FITNESS FOR A PARTICULAR PURPOSE.

DESA Heating Products assumes no responsibility for indirect, incidental or consequential damages. Some states do not allow the exclusion or limitation of incidental or consequential damages, or limitations or exclusions may not apply to you. This Limited Warranty gives you specific legal rights and you may also have other rights which vary from state to state.

We reserve the right to amend these specifications at any time without notice. The only warranty applicable is our standard written warranty. We make no other warranty, expressed or implied.

WARRANTY SERVICE

Should your heater require service, return it to your nearest authorized service center. Proof of purchase must be presented with the heater. The heater will be inspected. A defect may be caused by faulty materials or workmanship. If so, DESA Heating Products will repair or replace the heater without charge.

REPAIR SERVICE

Return your heater to your nearest authorized service center. Repairs not covered by the warranty will be billed at standard prices. Each Service Center is independently owned and operated. We reserve the right to amend these specifications at any time without notice.

When writing for information regarding your heater, be sure to include the model number and serial number as shown on the model plate.

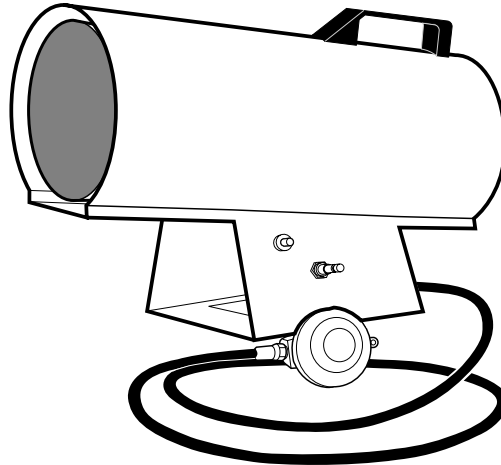
For more information about this warranty, write:



2701 Industrial Drive
P.O. Box 90004
Bowling Green, KY 42102-9004
ATTN: Customer Service Department

Para obtener más información, visite www.desatech.com

30/35/40.000
Btu/h



IMPORTANTE: Lea y comprenda este manual antes de ensamblar, encender o dar servicio al calentador. El uso inadecuado del calentador puede causar lesiones serias. Conserve este manual para referencia futura.

⚠ ADVERTENCIA GENERAL DE PELIGRO:

NO CUMPLIR CON LAS PRECAUCIONES E INSTRUCCIONES PROPORCIONADAS CON ESTE CALENTADOR PUEDE CAUSAR LA MUERTE, LESIONES FÍSICAS SERIAS Y PÉRDIDAS O DAÑOS A LA PROPIEDAD DEBIDO AL PELIGRO DE INCENDIO, EXPLOSIÓN, QUEMADURAS, ASFIXIA, INTOXICACIÓN CON MONÓXIDO DE CARBONO Y ELECTROCUCIÓN.

ÚNICAMENTE LAS PERSONAS QUE PUEDAN ENTENDER Y SEGUIR LAS INSTRUCCIONES DEBERÁN USAR O DAR SERVICIO A ESTE CALENTADOR.

SI NECESITA AYUDA O INFORMACIÓN SOBRE EL CALENTADOR, COMO MANUALES DE INSTRUCCIONES, ETIQUETAS, ETC., COMUNÍQUESE CON EL FABRICANTE.

TABLA DE CONTENIDO

INFORMACIÓN DE SEGURIDAD	2	MANTENIMIENTO	6
DESEMPAQUE	3	PROCEDIMIENTOS DE SERVICIO	7
IDENTIFICACIÓN DEL PRODUCTO	3	ESPECIFICACIONES	9
TEORÍA DEL FUNCIONAMIENTO	3	SOLUCIÓN DE PROBLEMAS	10
ENSAMBLAJE	4	ACCESORIOS	11
SUMINISTRO DE PROPANO	4	SERVICIO TÉCNICO	11
INSTALACIÓN	4	PIEZAS DE REPUESTO	11
VENTILACIÓN	5	CLASIFICACIÓN ILUSTRADA DE PARTES Y LISTA DE PIEZAS ...	12
FUNCIONAMIENTO	5	FORMULARIO DE REGISTRO DEL PROPIETARIO	15
ALMACENAMIENTO	6	GARANTÍA Y SERVICIO DE REPARACIÓN	18

INFORMACIÓN DE SEGURIDAD

ADVERTENCIAS

⚠ ADVERTENCIA: Este producto contiene y/o genera químicos que el Estado de California reconoce que causan cáncer, defectos de nacimiento u otros daños relacionados con la reproducción.

⚠ ADVERTENCIA: PELIGRO DE INCENDIO, QUEMADURAS, INHALACIÓN Y EXPLOSIÓN. MANTENGA LOS COMBUSTIBLES SÓLIDOS, COMO MATERIALES DE CONSTRUCCIÓN, PAPEL O CARTÓN A UNA DISTANCIA SEGURA DEL CALENTADOR SEGÚN SE RECOMIENDA EN LAS INSTRUCCIONES. NUNCA USE EL CALENTADOR EN ESPACIOS QUE CONTENGAN O QUE PUEDAN CONTENER COMBUSTIBLES VOLÁTILES O TRANSPORTADOS POR AIRE O PRODUCTOS COMO GASOLINA, SOLVENTES, DILUYENTE DE PINTURA, PARTÍCULAS DE POLVO O QUÍMICOS DESCONOCIDOS.

⚠ ADVERTENCIA: NO USAR EN RESIDENCIAS O VEHÍCULOS RECREATIVOS.

El calentador está diseñado para usarse como calentador para construcción en cumplimiento con ANSI Z83.7•CGA2.14-2000. Otros estándares rigen el uso de gases combustibles y productos de calefacción para usos específicos. Su autoridad local puede informarle sobre éstos. El propósito principal de los calentadores para construcción es proporcionar calefacción temporal a edificios en construcción, alteración o reparación. Cuando se usa correctamente, el calentador proporciona calefacción económica y segura. Los productos de combustión se ventilan dentro del área que se está calentando.

No podemos prever todos los usos que se les pueden dar a nuestros calentadores. Verifique con la autoridad local de seguridad contra incendios si tiene preguntas acerca del uso de calentadores.

Otros estándares rigen el uso de gases combustibles y productos que producen calor para usos específicos. Las autoridades locales pueden informarle sobre éstos.

Intoxicación con monóxido de carbono: Algunas personas sufren mayores efectos del monóxido de carbono que otras. Los signos iniciales de la intoxicación con monóxido de carbono se parecen a los de la gripa, con dolores de cabeza, mareos y/o náusea. Si usted presenta estos signos, es posible que el calentador no esté funcionando correctamente. **¡Respire aire fresco inmediatamente!** Revise que haya ventilación apropiada y dé servicio al calentador.

Gas propano: El gas propano es inodoro. Al gas propano se le agrega un agente oloroso. El olor le ayuda a detectar fugas de gas propano. Sin embargo, el olor que se añade al gas propano puede menguar. Es posible que haya gas propano presente aunque no haya ningún olor.

Asegúrese de leer y comprender todas las advertencias. Conserve este manual para referencia. Es su guía para la operación segura y correcta de este calentador.

- Instale y use el calentador cuidadosamente. Siga las ordenanzas y los códigos locales. A falta de decretos o códigos locales, consulte la *Norma de almacenamiento y manejo de gases licuados de petróleo, ANSI/NFPA 58* y el *Código de instalación de gas propano, CAN/CGA B149.2*. Éste le instruye sobre cómo almacenar y usar el gas propano de forma segura.
- Use solamente el voltaje eléctrico y la frecuencia especificados en la placa del modelo. Las conexiones eléctricas y a tierra del calentador deberán conformarse al *Código nacional de eléctrica, ANSI/NFPA 70* o del *Código canadiense de eléctrica, parte 1*.
- Instrucciones para conexión eléctrica a tierra — Este aparato está equipado con un enchufe de tres clavijas (para conexión a tierra) para protegerle del peligro de shock y debe conectarse directamente a un receptáculo o cable de extensión de tres clavijas correctamente conectado a tierra.
- Este producto ha sido aprobado para su uso en Commonwealth of Massachusetts.
- Use solamente un cable de extensión con conexión a tierra de tres clavijas.
- Use sólo la manguera y el regulador preestablecido en la fábrica que se proporcionan con el calentador.
- Use solamente el montaje del gas propano para la extracción de vapores.
- Proporcione ventilación adecuada. Antes de usar este calentador, proporcione una abertura de aire fresco del exterior de al menos 1400 cm² (1 1/2 pie cuadrado).
- Para uso en exteriores solamente. No use el calentador en el exterior.
- No use el calentador en residencias ocupadas o en habitaciones para vivir o dormir.
- No use el calentador en un sótano o debajo del nivel del suelo. El gas propano es más pesado que el aire. Si se produce una fuga, el gas propano se asentará en el nivel más bajo posible.
- Mantenga el área cerca del aparato despejada y libre de materiales combustibles, diluyentes para pintura y otros vapores y líquidos inflamables.
- No use el calentador en áreas con alto contenido de polvo. El polvo es combustible.
- Distancias mínimas entre el calentador y combustibles:
Salida: 1,83 m (6 pies) Laterales: 0,61 m (2 pies)
Parte superior: 1,83 m (6 pies) Parte posterior: 0,61 m (2 pies) (2 pies)
- Mantenga el calentador alejado del (de los) tanque(s) de propano a una distancia de al menos 1,83 m (6 pies). No apunte el calentador hacia el(los) tanque(s) de propano dentro de un área de 6 m (20 pies).

INFORMACIÓN DE SEGURIDAD

Continuación

- Mantenga el(los) tanque(s) de propano a menos de 37.8° C (100° F).
- Antes de cada uso, verifique si el calentador ha sufrido algún daño. No use un calentador dañado.
- Verifique la manguera antes de cada uso del calentador. Si la manguera está muy desgastada o con roturas, reemplácela con una manguera especificada por el fabricante antes de usar el calentador.
- Sitúe el calentador en una superficie estable y nivelada si el calentador está caliente o si está funcionando.
- No está diseñado para uso en pisos con acabado.
- Nunca bloquee la entrada de aire (posterior) o la salida de aire (anterior) del calentador.
- Mantenga el calentador alejado de corrientes fuertes de aire, brisas húmedas, lluvia o goteos de agua.
- Nunca deje funcionando el calentador desatendido.
- Evite que los niños y los animales se acerquen al calentador.
- Nunca mueva, maneje, o dé servicio a un calentador en funcionamiento, caliente o conectado. Pueden producirse quemaduras serias. Debe esperar 15 minutos después de apagar el calentador.
- Para evitar lesiones, use guantes cuando maneje el calentador.
- Nunca conecte conductos a la parte anterior o posterior del calentador.
- No altere el calentador. Manténgalo en su estado original.
- No use el calentador si ha sido alterado.
- Cierre el suministro de gas propano y desenchufe el calentador cuando no se esté usando.
- Use sólo piezas de repuesto originales. Este calentador debe usar piezas diseñadas específicamente. No las sustituya ni use piezas genéricas. El uso de piezas de repuesto inadecuadas puede ocasionar lesiones serias o fatales.

DESEMPAQUE

1. Retire todos los elementos de empaque aplicados al calentador para su envío. Mantenga los tapones de plástico (fijados al ensamblaje de la manguera/regulador y al conector de entrada) puestos cuando se guarde.
2. Retire todos los elementos de la caja.
3. Revise todos los elementos para ver si hay daños debidos al transporte. Si el calentador está dañado, informe de inmediato al distribuidor a quien lo compró.

IDENTIFICACIÓN DEL PRODUCTO

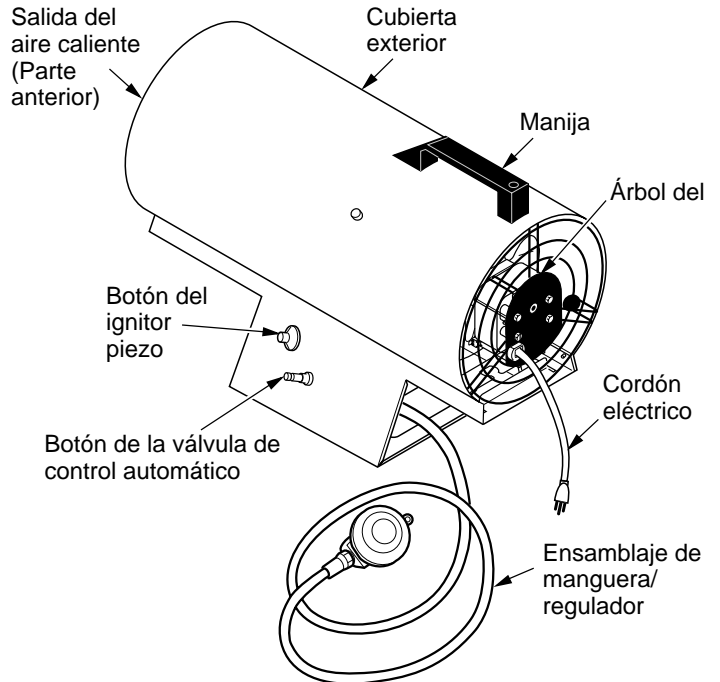


Figura 1 - 30.000 BTU/h en el modelo mostrado

TEORÍA DEL FUNCIONAMIENTO

El sistema de combustible: El ensamblaje de la manguera/regulador se fija al suministro del gas propano. Esto proporciona combustible al calentador.

El sistema de aire: El motor hace girar al ventilador. El ventilador empuja aire dentro y alrededor de la cámara de combustión. Este aire se calienta y proporciona una corriente de aire limpio y caliente.

El sistema de ignición: El ignitor piezo enciende el quemador.

El sistema de control automático: Este sistema ocasiona que el calentador se apague si se extingue la llama.

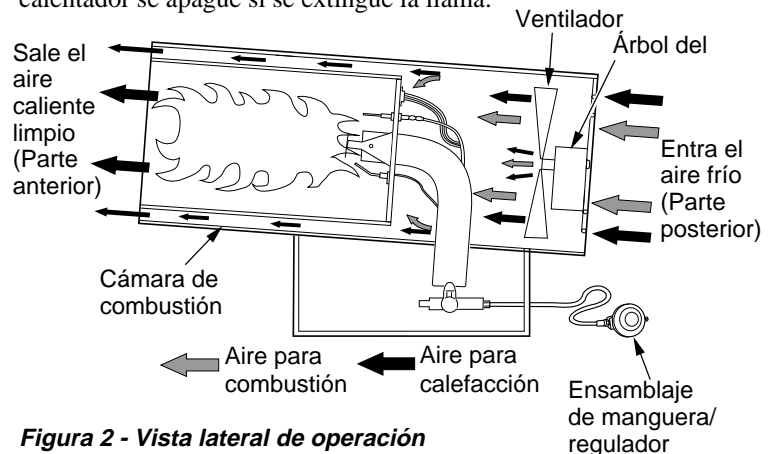


Figura 2 - Vista lateral de operación

ENSAMBLAJE

1. Extraiga el tornillo de la parte superior del resguardo del ventilador (consulte la figura 3). Deseche el tornillo.
2. Inserte el clip de la tuerca (incluido con la manija) con el lado plano volteado hacia arriba a través de la ranura de la parte superior de la cubierta. Alinee los orificios del clip de la tuerca con el orificio del tornillo detrás de la ranura en la parte superior de la cubierta. (consulte la figura 4).
3. Coloque la manija sobre el orificio y el clip. Inserte dos tornillos (incluidos con la manija) a través de la manija y apriételes a la cubierta (consulte la figura 3). Asegúrese de que el tornillo posterior atraviese la cubierta y el resguardo del ventilador. Apriete firmemente los tornillos.

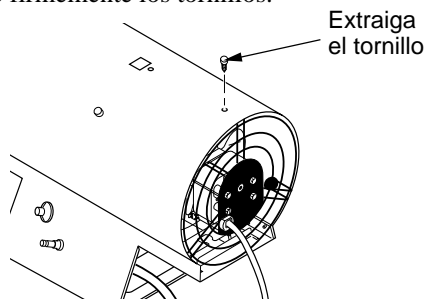


Figura 3 - Extracción del tornillo de la parte superior del resguardo del ventilador

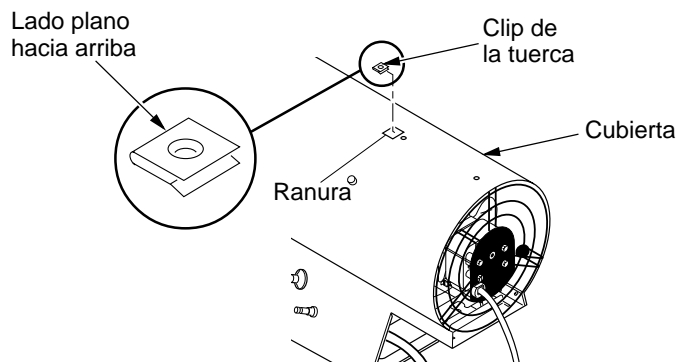


Figura 4 - Instalación del clip de la tuerca

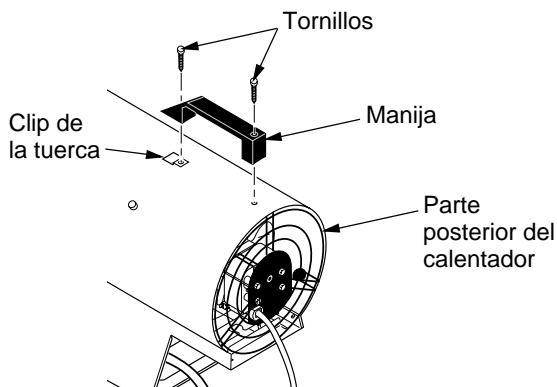


Figura 5 - Cómo fijar la manija

SUMINISTRO DE PROPANO

El gas propano y el(los) tanque(s) de propano los debe aprovisionar el usuario.

Use el calentador solamente con un sistema de suministro con extracción de vapores de propano. Consulte el capítulo 5 de la *Norma de almacenamiento y manejo de gases licuados de petróleo, ANSI/NFPA 58 y/o CAN/CGA B149.2*. La biblioteca o departamento de bomberos de su localidad tiene este folleto.

La cantidad de gas propano lista para usarse de los tanques de propano varía. Dos factores determinan esta cantidad:

1. La cantidad de gas propano en el(los) tanque(s)
2. La temperatura del(de los) tanque(s)

El calentador está diseñado para funcionar con un tanque de propano de 9 kg (20 libras) como mínimo. Es posible que necesite dos o más tanques o un tanque de mayor tamaño durante clima frío. Use un tanque de 45 kg (100 libras) para operar durante un tiempo más prolongado o en clima muy frío. A temperaturas más bajas se vaporiza menos gas. El surtidor de gas de su localidad le ayudará a seleccionar el sistema de suministro apropiado. La potencia nominal mínima de la temperatura del aire circundante para cada calentador es de -29° C (-20° F).

Temperatura promedio °C (°F) en la ubicación del tanque	No. de tanques 45 kg (100 libras)
4°(40°)	1
0°(32°)	1
-7°(20°)	1
-12°(10°)	1
-18°(0°)	1
-23°(-10°)	2
-29°(-20°)	2

INSTALACIÓN

⚠ ADVERTENCIA: Revise y comprenda las advertencias en la sección *Información de seguridad*, página 2. Son necesarias para operar seguramente este calentador. Siga todas los códigos locales al utilizar este calentador.

⚠ ADVERTENCIA: Pruebe todas las tuberías de gas y sus conexiones para saber si hay fugas después de instalar o dar servicio. Nunca use una llama al aire libre para verificar una fuga. Aplique una mezcla de jabón líquido y agua en todas las uniones. La formación de burbujas indica una fuga. Corrija todas las fugas inmediatamente.

1. Proporcione un sistema de suministro de propano (consulte *Suministro de propano*).
2. Conecte el adaptador POL en el ensamblaje de la manguera/regulador al(a los) tanque(s) de propano. Gire el adaptador POL en el sentido contrario al de las manecillas del reloj en las ros-cas del tanque. Apriete firmemente usando una llave.

INSTALACIÓN

Continuación

IMPORTANTE: Posicione el regulador de manera que la manguera que sale del mismo esté en posición horizontal (consulte la figura 6). Esto pone la ventila del regulador en la posición correcta para protegerlo del clima.

3. Conecte la manguera a la entrada de la válvula (consulte la figura 7). Apriete firmemente usando una llave.

IMPORTANTE: Use una manguera o tubería adicional si es necesario. Instale la manguera o tubería adicional entre el ensamblaje de la manguera/regulador y el tanque de propano. Se debe usar el regulador que se incluyó con el calentador.

4. Abra lentamente la válvula del suministro de propano en el(los) tanque(s) de propano. *Nota:* Si no se abre lentamente, la válvula de exceso de flujo del tanque de propano detendrá el flujo del gas. Es posible que escuche un chasquido al cerrarse la válvula de exceso de flujo. Si esto sucede, restablezca la válvula de exceso de flujo cerrando la válvula del suministro de propano y abriéndola de nuevo lentamente.
5. Revise todas las conexiones en busca de fugas. Aplique una mezcla de jabón líquido y agua a todas las uniones de la línea de gas. La formación de burbujas indica una fuga que se debe corregir.
6. Cierre la válvula del suministro de propano.

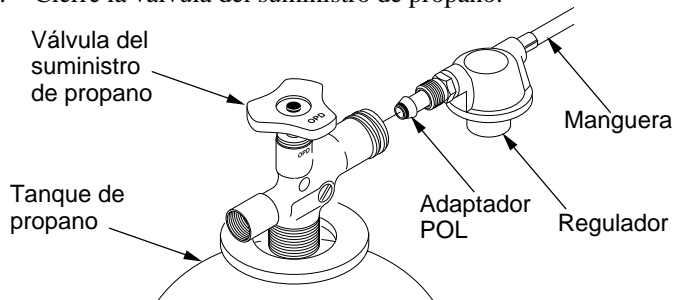


Figura 6 - Posición del regulador

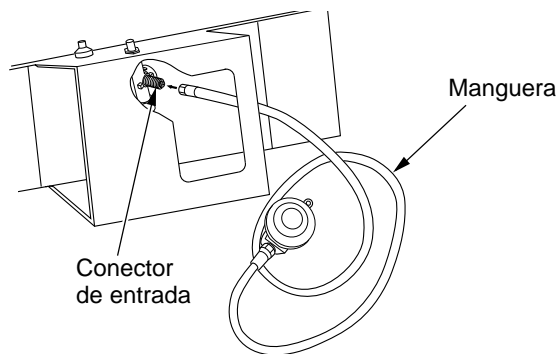


Figura 7 - Manguera y conector de entrada

VENTILACIÓN

⚠ ADVERTENCIA: Procure una abertura de aire fresco del exterior de al menos 1400 cm² (1 1/2 pie cuadrado) mientras está encendido el calentador. Si no se procura ventilación de aire fresco del exterior, puede haber una intoxicación con monóxido de carbono. Procure una abertura de aire fresco del exterior antes de encender el calentador.

FUNCIONAMIENTO

⚠ ADVERTENCIA: Revise y comprenda las advertencias en la sección *Información de seguridad*, página 2. Son necesarias para operar seguramente este calentador. Siga todas los códigos locales al utilizar este calentador.

PARA ENCENDER EL CALENTADOR

1. Siga toda la información de instalación, ventilación y seguridad.
2. Sitúe el calentador sobre una superficie estable y nivelada. Asegúrese de que no haya corrientes fuertes de aire entrando por la parte anterior o posterior del calentador.
3. Conecte el cordón eléctrico del calentador a un cable de extensión con conexión a tierra de tres clavijas. El cable de extensión debe tener cuando menos 1,83 metros (6 pies) de longitud. El cable de extensión debe estar en la lista UL.

Requerimientos del tamaño del cable de la extensión

- Hasta 15,24 m (50 pies) de longitud, use un cable de clasificación 18 AWG.
 - de 15,54 m (51 pies) a 30,48 m (100 pies) de longitud, use un cable de clasificación 16 AWG.
 - de 30,78 m (101 pies) a 60,96 m (200 pies) de longitud, use un cable de clasificación 14 AWG.
4. Conecte el cable de extensión a un enchufe con conexión a tierra de tres orificios de 120 voltios/60 hercios. El motor se encenderá. El ventilador girará, forzando la salida del aire por la parte anterior del calentador.
 5. Abra lentamente la válvula del suministro de propano en el(los) tanque(s) de propano. *Nota:* Si no se abre lentamente, la válvula de exceso de flujo del tanque de propano detendrá el flujo del gas. Es posible que escuche un chasquido al cerrarse la válvula de exceso de flujo. Si esto sucede, reinicie la válvula de exceso de flujo cerrando la válvula del suministro de propano y abriéndola de nuevo lentamente.

⚠ ADVERTENCIA: Asegúrese de que el motor y el ventilador estén funcionando antes de presionar el botón de la válvula de control automático. Las llamas pueden chispear al exterior del calentador si el motor y el ventilador no están funcionando.

FUNCIONAMIENTO

Continuación

- Presione y mantenga presionado el botón de la válvula de control automático (consulte la figura 8). Presione el botón del ignitor piezo (consulte la figura 8). Continúe presionando el botón del ignitor hasta que se encienda el quemador. Cuando se encienda el quemador, mantenga presionado el botón de la válvula de control. Suelte el botón después de 30 segundos. Esto activa el sistema de control automático.

Nota: Si no arde el calentador, es posible que la manguera tenga aire dentro. Si es así, mantenga presionado el botón de la válvula de control automático y espere 20 segundos. Suelte el botón de la válvula de control automático y espere 20 segundos a que el combustible que no se ha quemado salga del calentador. Repita este paso.

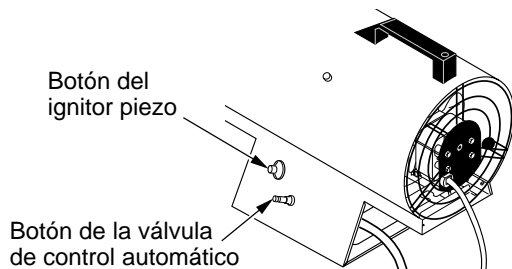


Figura 8 - Botón de la válvula de control automático y botón del ignitor piezo

AVISO: Si el calentador se desconecta o si ocurre una interrupción de la energía eléctrica mientras está funcionando el calentador, el dispositivo límite térmico detendrá el flujo del combustible. Transcurren unos segundos antes de que el dispositivo límite térmico se active. Durante este corto tiempo, es posible que aparezcan llamas en el exterior del calentador. Esto es normal. Las llamas se extinguirán cuando el dispositivo límite térmico se active.

PARA APAGAR EL CALENTADOR

- Cierre firmemente la válvula del suministro de propano en el(los) tanque(s) de propano.
- Espere unos segundos. El calentador quemará el gas que haya quedado en la manguera de suministro.
- Desconecte el calentador.

PARA VOLVER A ENCENDER EL CALENTADOR

- Espere cinco minutos después de detener el calentador.
- Repita los pasos que se describen en *Cómo encender el calentador*, página 5.

ALMACENAMIENTO

⚠ PRECAUCIÓN: Desconecte el calentador del(de los) tanque(s) de suministro de propano.

- Guarde el(los) tanque(s) de propano de forma segura. Consulte el capítulo 5 de la *Norma de almacenamiento y manejo de gases licuados de petróleo, ANSI/NFPA 58*. Siga todos los códigos locales. Guarde siempre los tanques de propano en el exterior.
- Ponga los tapones de plástico en los adaptadores de latón en el conector de entrada y el ensamblaje de la manguera/regulador.
- Guárdelo en un lugar seco, limpio y seguro. No guarde el ensamblaje de la manguera/regulador dentro de la cámara de combustión del calentador.
- Al sacar el calentador de donde se tiene guardado, se debe revisar siempre el interior del mismo. Es posible que insectos u otros animales pequeños pongan cuerpos extraños en el calentador. Si es necesario, extraiga el motor y otras partes internas para extraer los cuerpos extraños (consulte *Procedimientos de servicio*, página 7).

MANTENIMIENTO

⚠ ADVERTENCIAS

- Nunca dé servicio a un calentador mientras esté enchufado, conectado al suministro de propano, funcionando o caliente. Pueden ocurrir serias quemaduras y choques eléctricos.**
- Mantenga el calentador despejado y libre de materiales combustibles, gasolina y otros vapores y líquidos inflamables.**
- No bloquee el flujo del aire para ventilación o combustión.**

- Mantenga el calentador limpio. Limpie el calentador anualmente o según sea necesario para extraer polvo y basura. Si el calentador está sucio o polvoriento, límpielo con un paño húmedo. Use limpiadores domésticos en las manchas difíciles.
- Inspeccione al calentador antes de cada uso. Revise las conexiones en busca de fugas. Aplique una mezcla de jabón líquido y agua en todas las conexiones. La formación de burbujas indica una fuga. Corrija todas las fugas inmediatamente.
- Inspeccione el ensamblaje de manguera/regulador antes de cada uso. Si la manguera está muy desgastada o con roturas, reemplácela con una manguera especificada por el fabricante.
- Haga que una agencia de servicio calificada inspeccione el calentador anualmente.
- Mantenga el interior del calentador libre de combustible y cuerpos extraños. Si es necesario, extraiga el motor y otras partes internas para limpiar el interior del calentador (consulte *Procedimientos de servicio*, página 7).
- Limpie las aspas del ventilador cada temporada o según sea necesario (consulte *Ventilador*, página 7).

PROCEDIMIENTOS DE SERVICIO

⚠ ADVERTENCIA: Nunca dé servicio a un calentador mientras está enchufado, conectado al suministro de propano, funcionando o caliente. Pueden ocurrir serias quemaduras y choques eléctricos.

SISTEMA ELÉCTRICO

Todo el sistema eléctrico del calentador está contenido dentro del motor. Si se daña cualquier parte del sistema eléctrico, debe reemplazar el motor.

ÁRBOL DEL

1. Extraiga tres tornillos que fijen el resguardo del ventilador a la cubierta del calentador.
2. Extraiga el motor y el resguardo del ventilador de la cubierta del calentador (consulte la figura 9).
3. Use una llave hexagonal para aflojar el tornillo fijo que sujeta el ventilador al eje del motor (consulte la figura 10). Extraiga el ventilador. Tenga cuidado de no dañar la inclinación del asa del ventilador.
4. Usando un destornillador para tuercas, extraiga dos tuercas y dos tornillos que fijan el resguardo del ventilador al motor. Extraiga del motor el resguardo del ventilador (consulte la figura 11).
5. Desconecte del motor el cable verde del cordón eléctrico y extraiga las terminales de los cables negro y blanco.
6. Deseche el motor viejo.
7. Fije el cable verde del cordón eléctrico al motor.
8. Fije el resguardo del ventilador al motor nuevo con dos tuercas y dos tornillos.
9. Vuelva a poner las terminales negra y blanca.
10. Ponga el ventilador en el eje del motor del motor nuevo. Asegúrese de que el tornillo fijo esté en contacto con la superficie plana del eje del motor. Apriete firmemente el tornillo fijo (de 46,08 a 57,60 kgf-cm o de 40 a 50 pulgadas-libra).
11. Ponga el motor y el resguardo del ventilador en la parte posterior de la cubierta del calentador. Asegúrese de que el cordón eléctrico esté situado correctamente (consulte la figura 12).

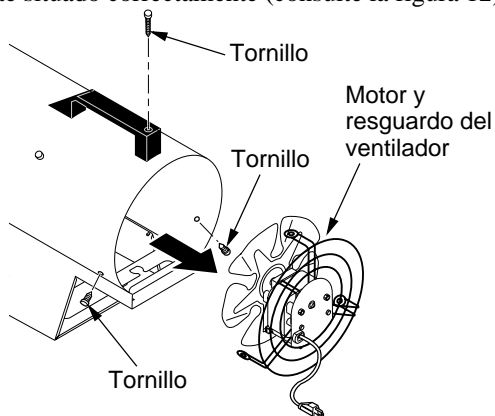


Figura 9 - Extracción del motor y el resguardo del ventilador del calentador

12. Inserte tres tornillos a través de la cubierta del calentador hacia adentro del resguardo del ventilador (consulte la figura 12). Apriete firmemente los tornillos.

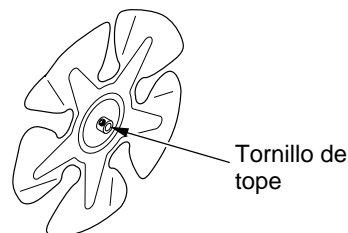


Figura 10 - Ubicación del tornillo de fijación

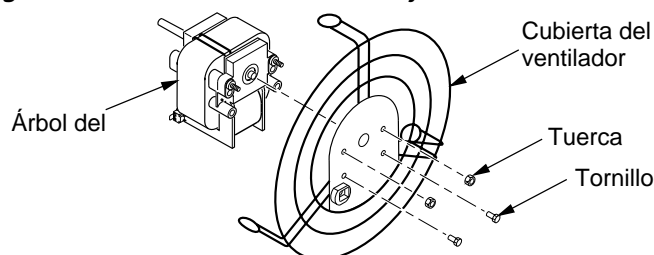


Figura 11 - Extracción o fijación del resguardo del ventilador al motor

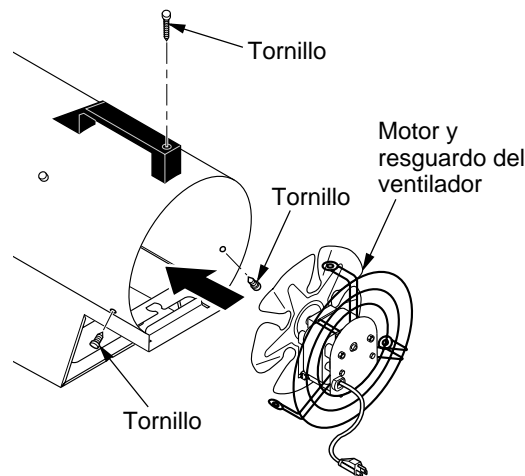


Figura 12 - Reemplazo del motor y el resguardo del ventilador en el calentador

VENTILADOR

1. Extraiga tres tornillos que fijen el resguardo del ventilador a la cubierta del calentador.
2. Extraiga el motor y el resguardo del ventilador de la cubierta del calentador (consulte la figura 9).
3. Use una llave hexagonal para aflojar el tornillo fijo que sujeta el ventilador al eje del motor (consulte la figura 10).
4. Extraiga el ventilador. Tenga cuidado de no dañar la inclinación del asa del ventilador.

PROCEDIMIENTOS DE SERVICIO

Continuación

- 5a. Si va a reemplazar el ventilador, quite el ventilador viejo y deséchelo. Siga con el paso 7 descrito a continuación.
- 5b. Si va a limpiar el ventilador, utilice un paño suave humedecido con keroseno o solvente.
6. Seque completamente el ventilador.
7. Ponga el ventilador en el eje del motor. Asegúrese de que el tornillo fijo esté en contacto con la superficie plana del eje del motor. Apriete firmemente el tornillo fijo (de 46,08 a 57,60 kgf-cm ó de 40 a 50 pulgadas-libra).
8. Ponga el motor y el resguardo del ventilador en la parte posterior de la cubierta del calentador. Asegúrese de que el cordón eléctrico esté situado correctamente (consulte la figura 12).
9. Inserte tres tornillos a través de la cubierta del calentador hacia adentro del resguardo del ventilador. Apriete firmemente los tornillos.

IGNITOR

1. Extraiga del calentador el motor y el resguardo del ventilador (consulte *Motor*, página 6, pasos 1 y 2).
2. Extraiga el cable negro del ignitor del ignitor piezo. Acceda al cable del ignitor a través del fondo de la base del calentador (consulte la figura 13). Presione el cable hacia arriba a través de la muesca en el panel de relleno.
3. Extraiga el tornillo de montaje del ignitor de la cabeza posterior usando un destornillador para tuercas o un destornillador estándar (consulte la figura 14).
4. Extraiga el ignitor de la cabeza posterior.
5. Instale el nuevo ignitor. Fije el ignitor a la cabeza posterior con el tornillo de montaje.
6. Atraviese el cable del nuevo ignitor por la muesca del panel de relleno. Fije el cable del ignitor al ignitor piezo.
7. Deje una cavidad de 43,18 cm (17 pulgadas) entre el electrodo del ignitor y la placa de fijación (consulte la figura 15).

⚠ ADVERTENCIA: Asegúrese de que el calentador esté desconectado del suministro de propano. El calentador podría arder y causar quemaduras graves.

8. Pruebe a ver si se produce una chispa. Presione el botón del ignitor piezo y observe si se produce una chispa entre el electrodo del ignitor y la placa de fijación.
9. Coloque el motor y el resguardo del ventilador en la parte trasera de la cubierta del calentador (consulte *Motor*, página 7, pasos 9 y 10).

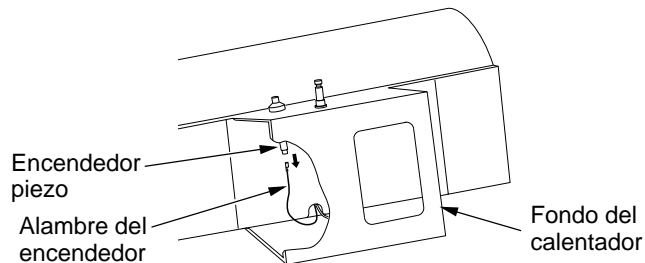


Figura 13 - Extracción del cable del ignitor del ignitor piezo

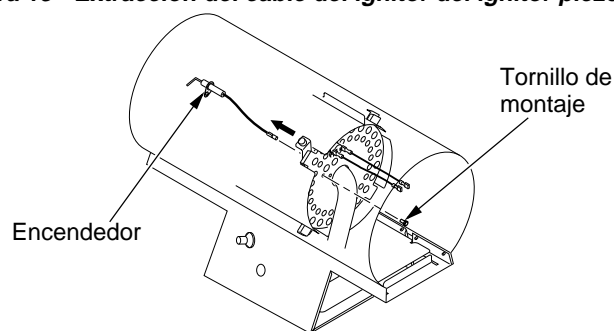


Figura 14 - Extracción del tornillo de montaje del ignitor y el ignitor

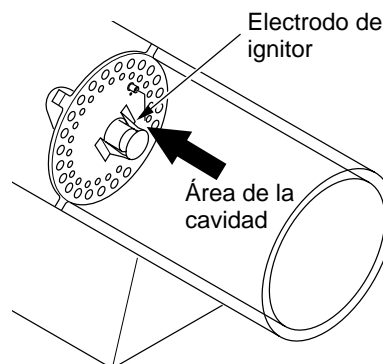


Figura 15 - Distancia mínima entre el electrodo del ignitor y la placa de fijación

ESPECIFICACIONES

Potencia nominal de salida (BTU/h)	30.000	35.000	40.000
Combustible	Sólo vapor de propano	Sólo vapor de propano	Sólo vapor de propano
Consumo de combustible			
Litros/hora (Galones/hora)	1.25 (.33)	1.44 (.38)	1.65 (.44)
Kilogramos/hora (Libras/hora)	0,63 (1.4)	0,74 (1.62)	0,84 (1.86)
Proporcione presión al regulador			
Mínima (para ajuste de entrada)	20 psi	20 psi	20 psi
Máximo	Presión del tanque o 200 psi	Presión del tanque o 200 psi	Presión del tanque o 200 psi
Presión del regulador de salida	10 psi	10 psi	10 psi
Presión del tubo múltiple	10.1 psi	9.7 psi	9.7 psi
Salida del aire caliente (CFM aprox.)	175	175	175
Motor	3045 rpm, 1/40 hp	3045 rpm, 1/40 hp	3045 rpm, 1/40 hp
Entrada de electricidad	120 voltios/60 hercios	120 voltios/60 hercios	120 voltios/60 hercios
Amperaje	.6	.6	.6
Ignición	Manual, Piezo	Manual, Piezo	Manual, Piezo
Rango de temperatura para el funcionamiento del calentador	-29° C a 29,44° C* (-20° F a 85° F*)	-29° C a 29,44° C* (-20° F a 85° F*)	-29° C a 29,44° C* (-20° F a 85° F*)
Peso			
Calentador	4,98 kg (11 libras)	4,98 kg (11 libras)	4,98 kg (11 libras)
Envío	5,89 kg (13 libras)	5,89 kg (13 libras)	5,89 kg (13 libras)
Tamaño - largo x ancho x altura			
Caja	49,27 x 24,76 x 37,46 cm (19,4 x 9,75 x 14,75 pulgadas)	49,27 x 24,76 x 37,46 cm (19,4 x 9,75 x 14,75 pulgadas)	49,27 x 24,76 x 37,46 cm (19,4 x 9,75 x 14,75 pulgadas)
Calentador	46,99 x 19,55 x 32,51 cm (18,5 x 7,7 x 12,8 pulgadas)	46,99 x 19,55 x 32,51 cm (18,5 x 7,7 x 12,8 pulgadas)	46,99 x 19,55 x 32,51 cm (18,5 x 7,7 x 12,8 pulgadas)

* Cuando se haga funcionar el calentador en temperaturas por encima de los 29,44° C (85° F), las altas temperaturas internas pueden causar que el dispositivo límite térmico apague el calentador.

SOLUCIÓN DE PROBLEMAS

Nota: Para obtener ayuda adicional, visite el sitio web de Servicio técnico de DESA Heating Products en www.desatech.com.

⚠ ADVERTENCIA: Nunca dé servicio a un calentador mientras está enchufado, conectado al suministro de propano, funcionando o caliente. Pueden ocurrir serias quemaduras y choques eléctricos.

FALLA OBSERVADA	POSIBLE CAUSA	REMEDIO
El ventilador no gira cuando se conecta el calentador.	<ol style="list-style-type: none"> 1. No llega la energía eléctrica al calentador. 2. El ventilador golpea la cubierta del calentador 3. Las aspas del ventilador están dobladas 4. Motor defectuoso. 	<ol style="list-style-type: none"> 1. Revisar el voltaje del enchufe eléctrico. Si el voltaje es el correcto, revise que el cordón eléctrico no esté roto 2. Ajuste el resguardo del ventilador/motor para evitar que el ventilador golpee el interior de la cubierta del calentador. De ser necesario, doble el resguardo del ventilador 3. Reemplace el ventilador. Consulte <i>Ventilador</i>, páginas 7 y 8. 4. Reemplace el motor. Consulte <i>Motor</i>, página 7.
El calentador no arde.	<ol style="list-style-type: none"> 1. El usuario no siguió correctamente las instrucciones de instalación o de operación 2. No se produce la chispa en el ignitor. Para probar que se produzca la chispa, siga el paso 8 en <i>Ignitor</i>, página 9. Si ve que se produce la chispa en el ignitor, procure que una persona calificada le dé servicio al calentador. Si no se produce la chispa: <ol style="list-style-type: none"> A) Cable del ignitor flojo o desconectado B) Tamaño de la cavidad de la chispa incorrecto C) Ignitor piezo flojo D) Electrodo del ignitor defectuoso 	<ol style="list-style-type: none"> 1. Repita las instrucciones de instalación y operación. Consulte <i>Instalación</i>, página 4 y <i>Operación</i>, página 5 2. A) Revise el cable del ignitor Apriete o vuelva a fijar el cable del ignitor que está flojo. Consulte la figura 14, página 8 para ver la ubicación del cable del ignitor B) Deje una cavidad de 43,18 cm (17 pulgadas) entre el electrodo del ignitor y la placa de fijación C) Apriete la tuerca que sostiene el ignitor piezo a la base del calentador D) Reemplace el electrodo del ignitor. Consulte <i>Ignitor</i>, página 8.
El calentador se apaga mientras está encendido.	<ol style="list-style-type: none"> 1. Temperatura alta del aire circundante está causando que el dispositivo límite térmico apague el calentador 2. Flujo restringido del aire 3. Ventilador dañado 4. Polvo o basura excesivos en el área circundante 	<ol style="list-style-type: none"> 1. Esto puede suceder cuando se hace funcionar el calentador en temperaturas por encima de los 29,44° C (85°F). Opere el calentador en temperaturas más frías 2. Revise la entrada y la salida del calentador. Extraiga cualquier obstrucción 3. Reemplace el ventilador. Consulte <i>Ventilador</i>, página 7. 4. Limpie el calentador. Consulte <i>Mantenimiento</i>, página 6.

⚠ ADVERTENCIA: Para uso solamente en áreas libres de alto contenido de polvo.

ACCESORIOS

Adquiera accesorios y partes mediante su distribuidor o centro de servicio más cercano. Si no pueden proporcionarle las piezas originales de repuesto, comuníquese con su distribuidor de piezas más cercano (listado en el libro de Centro de servicio autorizado que viene por separado) o comuníquese con DESA Heating Products para obtener información de referencia.

DESA Heating Products
P.O. Box 90004
Bowling Green, KY
42102-9004
1-866-672-6040

Número de pieza	Descripción
LPA1020	Manguera de hule de 3,04 m (10 pies) con adaptador de latón En la lista U.L.
LPA2170	Regulador de gas propano En la lista U.L.
LPA3120	Ensamblaje de manguera/regulador En la lista U.L.
LPA4020	Conector de gas combustible Conecta el regulador a todos los tanques de propano estándar. Listados en UL y AGA

SERVICIO TÉCNICO

Es posible que tenga preguntas adicionales acerca de este calentador. Si es así, comuníquese con el Departamento de servicio técnico de DESA Heating Products al 1-866-672-6040. Al llamar, tenga listos los números de modelo y serie de su calentador.

También puede visitar el sitio web de servicio técnico de DESA Heating Products en www.desatech.com.

PIEZAS DE REPUESTO

⚠ ADVERTENCIA: Use sólo piezas de repuesto originales. Este calentador debe usar piezas diseñadas específicamente. No las sustituya ni use piezas genéricas. El uso de piezas de repuesto inadecuadas puede ocasionar lesiones serias o fatales. Esto también protegerá la cobertura de su garantía para piezas reemplazadas con garantía.

Piezas con garantía

Comuníquese con los distribuidores autorizados de este producto. Si no pueden suministrar piezas de repuesto originales, comuníquese con la Central de piezas más cercana o llame al Departamento de servicio técnico de DESA Heating Products al 1-866-672-6040.

Cuando llame a DESA Heating Products, tenga listo

- su nombre
- su dirección
- el número de modelo de su calentador
- la falla del calentador
- la fecha de compra

Piezas sin garantía

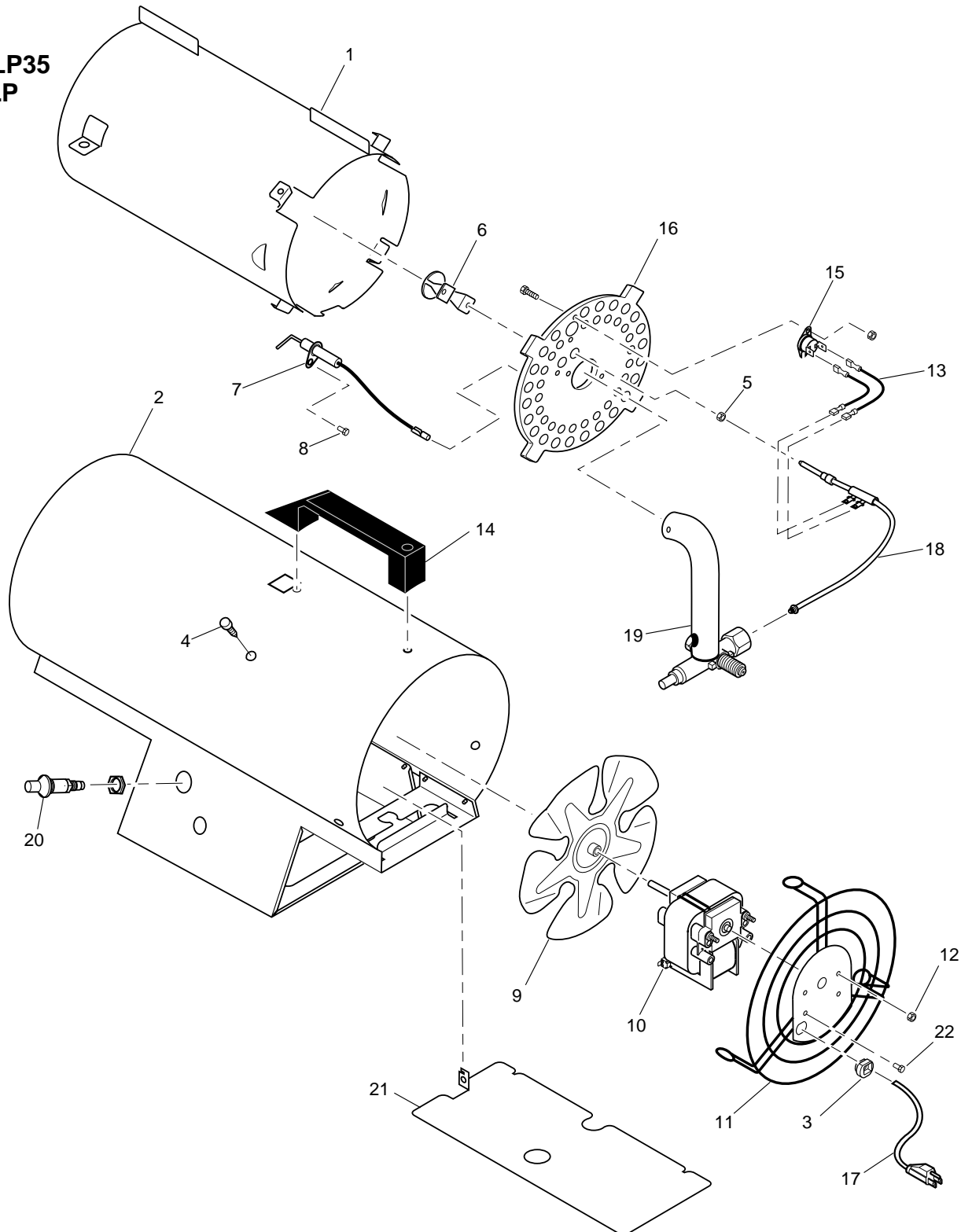
Comuníquese con los distribuidores autorizados de este producto. Si no pueden suministrar piezas de repuesto originales, comuníquese con la Central de piezas más cercana (listada en el folleto de Centros de servicio autorizados) o llame a DESA Heating Products al 1-866-672-6040 para obtener información de referencia.

Cuando llame a DESA Heating Products, tenga listo

- el número de modelo de su calentador
- el número de la pieza de repuesto

CLASIFICACIÓN ILUSTRADA DE PARTES

MODELOS
REM30LP, RLLP35
RLP30, RM40LP
RM40SP



LISTA DE PIEZAS

Esta lista contiene las partes reemplazables utilizadas en el calentador. Al hacer un pedido de piezas, siga las instrucciones listadas en *Piezas de repuesto* en la página 11 de este manual.

CLAVE No.	NÚMERO DE PIEZA			DESCRIPCIÓN	CANTIDAD
	RLP30	RLLP35	RM40LP RM40SP		
1	**	**	**	Cámara de combustión	1
2	**	**	**	Monochasis	1
3	M11143-1	M11143-1	M11143-1	Buje, atenuación de deformaciones	1
4	M11084-27	M11084-27	M11084-27	Tornillo	5
5	099237-01	099237-01	099237-01	Tuerca del termopar	2
6	103894-01	103894-01	103894-01	Juego del soporte de fijación	1
7	104784-01	104784-01	104784-01	Electrodo del ignitor	1
8	M11084-38	M11084-38	M11084-38	Tornillo hexagonal para mecha, #8-18 x 3/8"	1
9	101478-02	101478-02	101478-02	Ventilador	1
10	104156-01	104156-01	104156-01	Ensamblaje del motor	1
11	103863-01	103863-01	103863-01	Resguardo del ventilador	1
12	097384-02	097384-02	097384-02	Tuerca de arandela cautiva	2
13	101480-12	101480-12	101480-12	Ensamblaje de los alambres	1
14	104786-01	104786-01	104786-01	Ensamblaje de la manija	1
15	101732-06	101732-05	101732-05	Juego del conmutador térmico	1
16	103895-01	103895-01	103895-01	Juego de la cabeza posterior	1
17	098219-17	098219-17	098219-17	Cable, suministro de electricidad	1
18	104146-01	104146-01	104146-01	Termopar	1
19	104144-01	104144-02	104144-03	Ensamblaje del tubo de la válvula/orificio/quemador	1
20	102445-01	102445-01	102445-01	Juego del ignitor piezo	1
21	**	**	**	Panel de relleno	1
22	M12461-14	M12461-14	M12461-14	Tornillo de cabeza hexagonal, 8-32 x 3/8	4
PIEZAS DISPONIBLES (NO MOSTRADAS)					
	109111-02	109111-02	110396-02	Etiqueta adhesiva de la marca	2
	104161-04	104161-04	104161-04	Etiqueta adhesiva de información general	1
	104160-03	104160-03	104160-03	Etiqueta adhesiva de operación	1
	111632-01	111632-02	111632-03	Etiqueta adhesiva de los datos del modelo	1

** No es una pieza reemplazable por el usuario o por un técnico.

FORMULARIO DE REGISTRO DEL PROPIETARIO

Complete el formulario de registro y envíelo, o bien complete el registro en línea en www.desatech.com dentro de los primeros 30 días después de la compra.

Marca: _____ (Reddy Heater, Master, Remington, etc.)
 Modelo: _____ (R60, HD15, etc.)
 Fecha de compra: _____ Nota: Guarde el recibo para verificación de la garantía.
 Número de serie: _____ número de 7 ó 9 dígitos ubicado en el producto o en la etiqueta de identificación.
 Nombre: _____ Apellido: _____
 Dirección: _____
 Ciudad: _____ Estado: _____ Código postal: _____ País: _____
 Teléfono: (____) _____ - _____ Correo electrónico: _____

Por favor conteste las siguientes preguntas para registrar su producto con DESA Heating Products:

- ¿Quién utilizará el calentador? Individuo Empresa
- ¿Utilizará el calentador en más de un lugar? Sí No
- ¿Dónde se utilizará el producto? (Puede seleccionar más de uno). Taller Granero Construcción residencial
 Construcción comercial Cochera Fábrica Recreación Almacén Cobertizo para herramientas/almacenaje
 Otro _____ (especifique)
- Costo del producto (excluyendo los impuestos): \$ _____
- El mantenimiento/trabajo de servicio lo proporcionará: Usted mismo Centro de servicio Otro _____
- Si compró este producto usted mismo, ¿había planeado adquirir este tipo de producto antes de ir a la tienda? Sí No
- Tipo de tienda donde adquirió el producto: Ferretería Distribuidor de propano Compañía de gas natural/electricidad
 Centro para el hogar o proveedora para la construcción Distribuidor para granjas/agricultura Tienda de partes para automóvil
 Almacén club Distribuidor industrial/para contratista Tienda de arrendamientos Tienda de descuento Proveedor de HVAC
 Otro _____
- ¿Cuál es su fuente principal de calefacción? Propano (Gas LP) Gas Natural Keroseno Diesel Electricidad Otro _____
- ¿Qué lo motivó a comprar este producto? Clima frío repentino Reemplazo de un modelo antiguo
 Proyecto en el hogar emprendido por usted Calefacción de respaldo para emergencias Calentador en oferta Proyecto de construcción
 Lugar difícil de calentar Otro _____
- ¿Cómo conoció esta marca de productos? Anuncio Pariente o amigo Compañero de trabajo Representante de la tienda
 Muestra en la tienda Posesión previa de un calentador Otro _____ (especifique)
- ¿Qué otras marcas consideró? Ninguna Master Remington All-Pro Dayton Universal Mr. Heater L.B. White Tradesman
 John Deere Dyna-Glo Dura-Heat Paulin Coleman Vogelzang American Otra _____
- ¿Quién seleccionó el producto? Hombre Mujer Ambos
- Nivel de educación del comprador: Preparatoria Escuela vocacional/técnica Algo de universidad Universidad completa Postgrado
- Edad del comprador: Menos de 20 20 - 29 30 - 39 40 - 49 50 - 59 60 o más
- Total de ingresos anuales del hogar del comprador: Menos de \$19.999 \$20.000 a \$34.999 \$35.000 a \$49.999
 \$50.000 a \$74.999 \$75.000 a \$99.999 \$100.000 o más
- ¿Cuántos habitantes hay en su área? Menos de 10.000 10.000 a 25.000 25.000 a 50.000 50.000 a 100.000
 100.000 a 250.000 Más de 250.000
- Tienda donde compró el producto:
 Nombre: _____ Ciudad: _____ Estado: _____
- Al escoger este producto, qué tan importante fue lo siguiente:

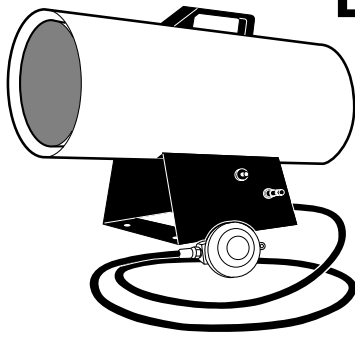
	No	Algo	Bastante		No	Algo	Bastante
Disponibilidad	<input type="radio"/>	<input type="radio"/>	<input type="radio"/>	Tamaño	<input type="radio"/>	<input type="radio"/>	<input type="radio"/>
Precio	<input type="radio"/>	<input type="radio"/>	<input type="radio"/>	Experiencia previa con la marca	<input type="radio"/>	<input type="radio"/>	<input type="radio"/>
Marca	<input type="radio"/>	<input type="radio"/>	<input type="radio"/>	Termostato integrado	<input type="radio"/>	<input type="radio"/>	<input type="radio"/>
Calidad en general	<input type="radio"/>	<input type="radio"/>	<input type="radio"/>	Facilidad de operación	<input type="radio"/>	<input type="radio"/>	<input type="radio"/>
Emisión de calor (valor de Btu/h)	<input type="radio"/>	<input type="radio"/>	<input type="radio"/>	Características especiales	<input type="radio"/>	<input type="radio"/>	<input type="radio"/>
Emisión de calor variable (Btu/h)	<input type="radio"/>	<input type="radio"/>	<input type="radio"/>	Recomendación del vendedor	<input type="radio"/>	<input type="radio"/>	<input type="radio"/>
Hecho en los EE.UU.	<input type="radio"/>	<input type="radio"/>	<input type="radio"/>	Recomendación de familiares/amigos	<input type="radio"/>	<input type="radio"/>	<input type="radio"/>
Garantía	<input type="radio"/>	<input type="radio"/>	<input type="radio"/>	Portabilidad	<input type="radio"/>	<input type="radio"/>	<input type="radio"/>
Servicio local	<input type="radio"/>	<input type="radio"/>	<input type="radio"/>	Funcionamiento silencioso	<input type="radio"/>	<input type="radio"/>	<input type="radio"/>
Buena adquisición por el precio	<input type="radio"/>	<input type="radio"/>	<input type="radio"/>				
- Esta pregunta nos ayudará a comprender de mejor manera el perfil demográfico de nuestros clientes. ¿Cuál de lo siguiente lo describe mejor? (no se requiere) Afroamericano Asiático Americano Mexicano Puertorriqueño Cubano Otro Hispano Anglosajón
 Otro _____

Se
necesita
porte
postal

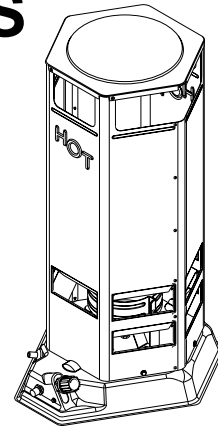


2701 Industrial Drive
P.O. Box 90004
Bowling Green, KY 42102-9004, EE.UU.

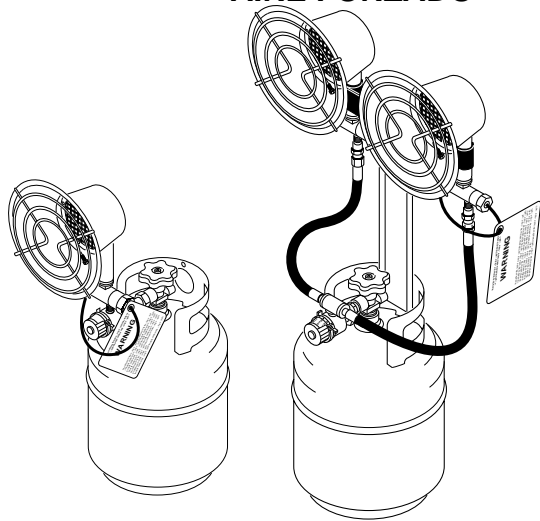
OTROS PRODUCTOS PARA CALEFACCIÓN EN EXTERIORES



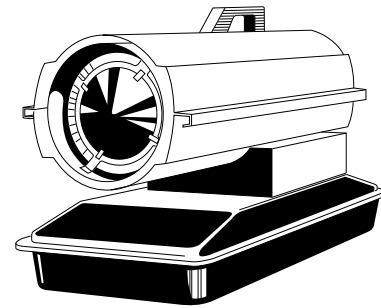
**CALENTADORES DE PROPANO/GAS LP DE
AIRE FORZADO**



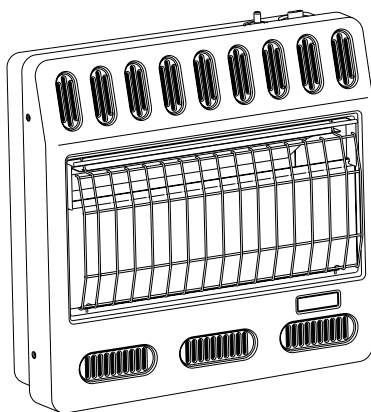
**CALENTADORES DE PROPANO/GAS LP DE
CONVECCIÓN**



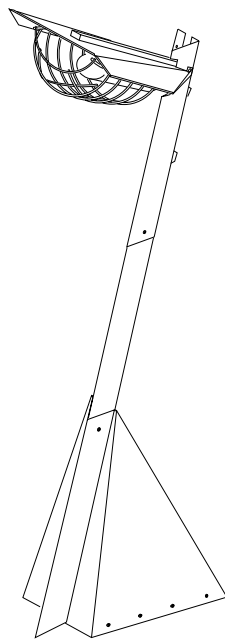
**CALENTADORES DE SUPERFICIE
DE TANQUE DE PROPANO/GAS LP**



**CALENTADORES PORTÁTILES DE
AIRE FORZADO DE KEROSENO/DIESEL**



**CALENTADORES PARA
COCHERAS DE PROPANO/GAS
LP Y GAS NATURAL**



**CALENTADORES
DE PROPANO/GAS
LP PARA PATIOS**



**CHIMENEAS DE PROPANO/
GAS LP Y GAS NATURAL**

GARANTÍA Y SERVICIO DE REPARACIÓN

GUARDE ESTA GARANTÍA

Modelo _____

Nº de serie _____

Fecha de compra _____

GARANTÍA LIMITADA

DESA Heating Products (productos de calefacción de DESA) garantiza que este producto y todas sus partes están libres de defectos en los materiales y la mano de obra durante un (1) año a partir de la primera compra, siempre que se hayan operado y mantenido de acuerdo con las instrucciones. Esta garantía se extiende solamente al comprador al por menor, cuando se proporciona una prueba de compra.

Esta garantía sólo cubre el costo de las piezas y de la mano de obra requeridos para restablecer el producto a su condición de operación adecuada. Los costos de transporte e incidentales asociados con reparaciones de garantía no son reembolsables bajo esta garantía.

El servicio de garantía está disponible sólo a través de distribuidores y centros de servicio autorizados.

Esta garantía no cubre defectos ocasionados por mal uso, abuso, negligencia, accidentes, falta de mantenimiento adecuado, desgaste normal, alteración, modificación, manipulación, combustibles contaminados, reparación usando piezas inadecuadas o reparación realizada por cualquiera que no sea un distribuidor o centro de servicio autorizado. El mantenimiento de rutina es responsabilidad del propietario.

ESTA GARANTÍA EXPRESA SE OTORGA EN LUGAR DE CUALQUIER OTRA GARANTÍA, YA SEA EXPRESA O IMPLÍCITA, INCLUYENDO GARANTÍAS DE APROVECHAMIENTO Y APTITUD PARA UN PROPÓSITO EN PARTICULAR.

DESA Heating Products no asume ninguna responsabilidad por daños indirectos, incidentales o perjuicios. Algunos estados no permiten la exclusión o limitación de daños incidentales o perjuicios, o es posible que las exclusiones no sean aplicables a usted. Esta Garantía limitada le otorga derechos legales específicos y usted podría tener también otros derechos que varían de un estado a otro.

Nos reservamos el derecho de modificar estas especificaciones en cualquier momento sin previo aviso. La única garantía aplicable es nuestra garantía por escrito regular. No otorgamos ninguna otra garantía, expresa o implícita.

SERVICIO DE GARANTÍA

Si su calentador requiere servicio, regrese al centro de servicio autorizado más cercano. Se debe presentar una prueba de compra con el calentador. El calentador será inspeccionado. Un defecto puede ser ocasionado por materiales o mano de obra defectuosos. Si es así, DESA Heating Products reparará o reemplazará el calentador sin ningún cargo.

SERVICIO DE REPARACIÓN

Regrese su calentador al centro de servicio autorizado más cercano. Las reparaciones no cubiertas por la garantía se cobrarán a los precios regulares. Cada Centro de servicio tiene un propietario y una operación independientes. Nos reservamos el derecho de modificar estas especificaciones en cualquier momento sin previo aviso.

Al escribir para solicitar información acerca de su calentador, asegúrese de incluir el número de modelo y serie según se muestran en la placa del modelo.

Para obtener más información sobre esta garantía, escriba a:

DESA
HEATING PRODUCTS™

2701 Industrial Drive

P.O. Box 90004

Bowling Green, KY 42102-9004, EE.UU.

ATTN: Customer Service Department



111656 01

NO ES UN UPC
NOT A UPC

111656-01
Rev. B
07/03

For more information, visit www.desatech.com