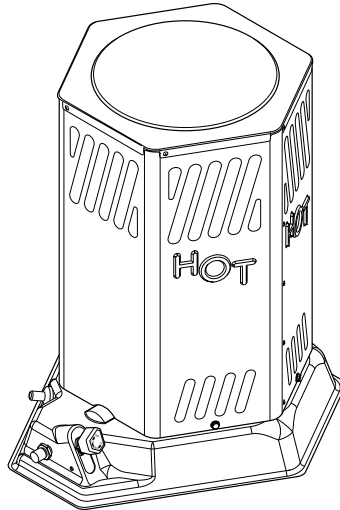


For more information, visit [www.desatech.com](http://www.desatech.com)

**Variable  
40-60-80,000 Btu/Hr  
Model**



**IMPORTANT:** Read and understand this manual before assembling, starting, or servicing heater. Improper use of heater can cause serious injury. Keep this manual for future reference.

**⚠ GENERAL HAZARD WARNING:**

**FAILURE TO COMPLY WITH THE PRECAUTIONS AND INSTRUCTIONS PROVIDED WITH THIS HEATER, CAN RESULT IN DEATH, SERIOUS BODILY INJURY AND PROPERTY LOSS OR DAMAGE FROM HAZARDS OF FIRE, EXPLOSION, BURN, ASPHYXIATION, CARBON MONOXIDE POISONING, AND/OR ELECTRICAL SHOCK.**

**ONLY PERSONS WHO CAN UNDERSTAND AND FOLLOW THE INSTRUCTIONS SHOULD USE OR SERVICE THIS HEATER.**

**IF YOU NEED ASSISTANCE OR HEATER INFORMATION SUCH AS AN INSTRUCTIONS MANUAL, LABELS, ETC. CONTACT THE MANUFACTURER.**

**TABLE OF CONTENTS**

SAFETY INFORMATION .....	2	STORAGE .....	5
PRODUCT IDENTIFICATION .....	3	MAINTENANCE .....	6
UNPACKING .....	3	SPECIFICATIONS .....	6
THEORY OF OPERATION .....	3	REPLACEMENT PARTS .....	6
PROPANE SUPPLY .....	3	TROUBLESHOOTING .....	7
VENTILATION .....	3	ACCESSORIES .....	7
INSTALLATION .....	4	ILLUSTRATED PARTS BREAKDOWN AND PARTS LIST .....	8
OPERATION .....	4	WARRANTY INFORMATION .....	Back Cover

## SAFETY INFORMATION

### WARNINGS

**⚠ WARNING:** This product contains and/or generates chemicals known to the State of California to cause cancer or birth defects, or other reproductive harm.

**⚠ WARNING:** FIRE, BURN, INHALATION, AND EXPLOSION HAZARD. KEEP SOLID COMBUSTIBLES, SUCH AS BUILDING MATERIALS, PAPER OR CARDBOARD, A SAFE DISTANCE AWAY FROM THE HEATER AS RECOMMENDED BY THE INSTRUCTIONS. NEVER USE THE HEATER IN SPACES WHICH DO OR MAY CONTAIN VOLATILE OR AIRBORNE COMBUSTIBLES, OR PRODUCTS SUCH AS GASOLINE, SOLVENTS, PAINT THINNER, DUST PARTICLES OR UNKNOWN CHEMICALS.

**⚠ WARNING:** NOT FOR HOME OR RECREATIONAL VEHICLE USE.

The heater is designed for use as a construction heater in accordance with ANSI Z83.7/CGA 2.14. Other standards govern the use of fuel gases and heating products for specific uses. Your local authority can advise you about these. The primary purpose of construction heaters is to provide temporary heating of buildings under construction, alteration or repair. Properly used, the heater provides safe economical heating. Products of combustion are vented into the area being heated.

We cannot foresee every use which may be made of our heaters. **CHECK WITH YOUR LOCAL FIRE SAFETY AUTHORITY IF YOU HAVE QUESTIONS ABOUT HEATER USE.**

Other standards govern the use of fuel gases and heat producing products for specific uses. Your local authorities can advise you about these.

**Carbon Monoxide Poisoning:** Some people are more affected by carbon monoxide than others. Early signs of carbon monoxide poisoning resemble the flu, with headaches, dizziness, and/or nausea. If you have these signs, the heater may not be working properly. **Get fresh air at once!** Check for proper ventilation and have heater serviced.

**Propane Gas:** Propane gas is odorless. An odor-making agent is added to propane gas. The odor helps you detect a propane gas leak. However, the odor added to propane gas may fade. Propane gas may be present even though no odor exists.

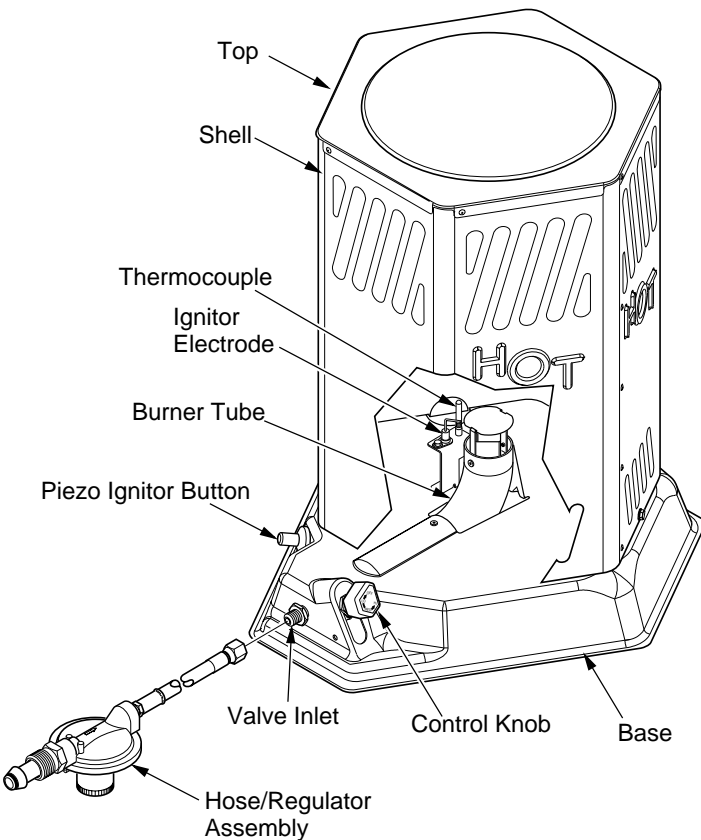
Make certain you read and understand all warnings. Keep this manual for reference. It is your guide to safe and proper operation of this heater.

- Install and use heater with care. Follow all local ordinances and codes. In the absence of local ordinances and codes, refer to the *Standard for Storage and Handling of Liquefied Petroleum Gas*,

*ANSI/NFPA 58* and the *Natural Gas Installation Code, CAN/CGA B149.2*. This instructs on the safe storage and handling of propane gases.

- This product has been approved for use in the Commonwealth of Massachusetts.
- Use only propane gas set up for vapor withdrawal.
- Provide adequate ventilation. Before using heater, provide at least a 2.5 square foot (76 cm) opening of fresh, outside air.
- For indoor use only. Do not use heater outdoors.
- Keep heater away from strong drafts, wind, water spray, rain, or dripping water.
- Do not use heater in occupied dwellings or in living or sleeping quarters.
- Do not use heater in a basement or below ground level. Propane gas is heavier than air. If a leak occurs, propane gas may sink to the lowest possible level.
- Keep appliance area clear and free from combustible materials, gasoline, paint thinner, and other flammable vapors and liquids. Dust is combustible. Do not use heater in areas with high dust content.
- Minimum heater clearances from combustibles:  
Sides: 3 feet (91 cm)                      Top: 6 feet (1,83 m)
- Keep heater at least six feet (1,83 m) from propane tank(s).
- Keep propane tank(s) below 100° F (37,8°C).
- Use only the hose and factory preset regulator provided with the heater.
- Check heater for damage before each use. Do not use a damaged heater.
- Check hose before each use of heater. If highly worn or cut, replace with hose specified by manufacturer before using heater.
- Do not alter heater. Keep heater in its original state.
- Do not use heater if altered.
- Locate heater on stable and level surface if heater is hot or operating.
- Not intended for use on finished floors.
- Never block air inlet (bottom of shell) or air outlet (around top of shell) of heater.
- Do not leave heater unattended.
- Keep children and animals away from heater.
- Never move, handle, or service a hot or operating heater. Severe burns may result. You must wait 15 minutes after turning heater off.
- To prevent injury, wear gloves when handling heater.
- Never attach duct work to heater.
- Turn off propane supply to heater when not in use.
- Use only original replacement parts. This heater must use design-specific parts. Do not substitute or use generic parts. Improper replacement parts could cause serious or fatal injuries.

## PRODUCT IDENTIFICATION



**Figure 1 - Product Identification**

## UNPACKING

1. Remove all packing items applied to heater for shipment. Keep plastic cover caps (attached to valve inlet and hose/regulator assembly) for storage.
2. Remove all items from carton.
3. Check all items for shipping damage. If heater is damaged, promptly inform dealer where you bought heater.

## THEORY OF OPERATION

**The Fuel System:** The hose/regulator assembly attaches to the propane gas supply. This provides fuel to the heater.

**The Ignition System:** The piezo ignitor lights main burner.

**The Automatic Control System:** This system causes the heater to shut down if the flame goes out.

## PROPANE SUPPLY

You must provide propane gas and propane tank(s).

Use this heater only with a propane vapor withdrawal supply system. See Chapter 5 of the *Standard for Storage and Handling of Liquefied Petroleum Gas, ANSI/NFPA 58* and/or *CAN/CGA B149.2*. Your local library or fire department will have this booklet.

This heater will operate with a 20-pound (9,07 kg) propane tank. However, you can only operate it in the LOW position during mildly cool weather. At higher heat settings or during colder weather, you must use larger tanks.

The amount of propane gas ready for use from propane tanks varies. Two factors decide this amount.

1. The amount of propane gas in tank(s)
2. The temperature of tank(s)

The chart below shows the minimum number of 100-pound (45 kg) tanks needed to run the heater. Connect tanks together with a manifold.

Average Temperature (°F[°C]) At Tank Location	Number Of Tanks
60° (15,6°)	1
40° (4,4°)	1
32° (0°)	1
20° (-6,7°)	1
10° (-12,2°)	2
0° (-17,8)	2

Less gas is vaporized at lower temperatures. Your local propane gas dealer will help you select the proper supply system.

## VENTILATION

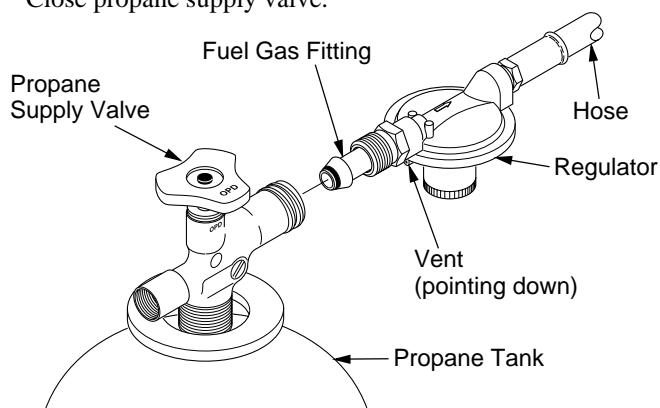
**⚠ WARNING: Provide at least a 2.5 square foot (76 cm) opening of fresh, outside air while running heater. If proper fresh, outside air ventilation is not provided, carbon monoxide poisoning can occur. Provide proper fresh, outside air ventilation before running heater.**

## INSTALLATION

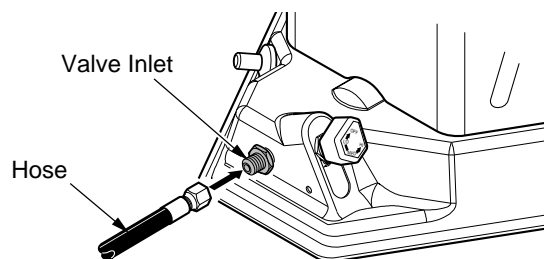
**⚠ WARNING:** Review and understand the warnings in the *Safety Information* section, page 2. They are needed to safely operate this heater. Follow all local codes when using this heater.

**⚠ WARNING:** Test all gas piping and connections for leaks after installation or servicing. Never use an open flame to check for a leak. Apply a mixture of liquid soap and water to all joints. Bubbles forming show a leak. Correct all leaks at once.

1. Provide propane supply system (see *Propane Supply*, page 3).
2. Connect fuel gas fitting on hose/regulator assembly to propane tank(s). Turn fuel gas fitting counterclockwise into threads on tank. Tighten firmly using a wrench. **IMPORTANT:** Tighten regulator with vent pointing down. Pointing vent down protects regulator from weather damage.
3. Connect hose to the valve inlet. Tighten firmly using a wrench. You must use the regulator supplied with heater even if propane tank has one.
4. Open propane supply valve on propane tank(s) slowly. **Note:** If not opened slowly, excess-flow check valve on propane tank may stop gas flow. If this happens, you may hear a click inside the regulator assembly, this is the check valve closing. To reset the excess flow check valve, close propane supply valve and open again slowly.
5. Check all connections for leaks. Apply mixture of liquid soap and water to gas joints. Bubbles forming show a leak that must be corrected.
6. Close propane supply valve.



**Figure 2 - Regulator With Vent Pointing Down**



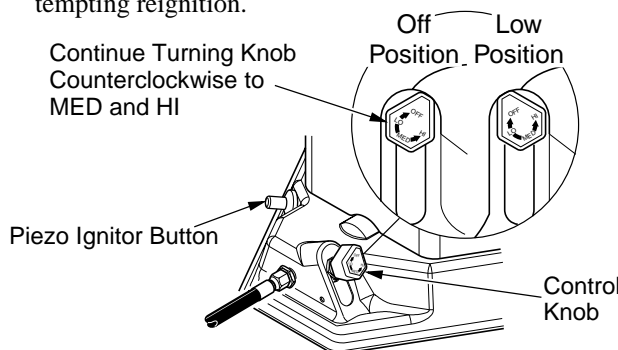
**Figure 3 - Hose and Valve Inlet**

## OPERATION

**⚠ WARNING:** Review and understand the warnings in the *Safety Information* section, page 2. They are needed to safely operate this heater. Follow all local codes when using this heater.

### TO START HEATER

1. Follow all installation, ventilation, and safety information.
2. Locate heater on stable and level surface. Make sure strong drafts do not blow on heater.
3. Make sure unit is turned off by slightly depressing and turning control knob fully clockwise to OFF.
4. Open propane supply valve on propane tank(s) slowly. **Note:** If not opened slowly, excess-flow check valve on propane tank may stop gas flow. If this happens, you may hear a click inside the regulator assembly, this is the check valve closing. To reset the excess flow check valve, close propane supply valve and open again slowly.
5. Slightly depress and turn control knob counterclockwise to the LOW position (see Figure 4).
6. With the control knob pushed all the way in, press and release the piezo ignitor button. Keep pressing piezo ignitor button until the burner lights. Hold control knob down for a maximum of 15 seconds while attempting ignition. If heater does not ignite, release control knob and wait 3 minutes before attempting reignition.



**Figure 4 - Control Knob and Piezo Ignitor Button Locations**

## OPERATION

### Continued

- After ignition, hold control knob down for about 30 seconds. This activates the automatic control system.
- When burner remains lit, set heater at the desired heat level by slightly depressing the control knob and turning it counterclockwise to the MED or HIGH settings (see Figure 4, page 4).
- If burner goes out, turn off gas. Slightly depress and turn control knob fully clockwise to OFF. Check fuel supply. If adequate fuel is available, restart heater beginning at step #1, page 4.

### FLAME PATTERNS

Figure 5 shows a correct flame pattern. The burner flame is mostly blue with a slight yellow coloring on the ends.

Figure 6 shows an incorrect flame pattern. The flame is mostly yellow. The incorrect flame pattern results from low gas pressure or from flashback.

**CAUTION:** Running heater below specified input rating may cause flashback. During flashback, the burner flame is mostly yellow. The flame will burn inside the burner tube, causing a roaring noise. If flashback occurs, turn heater off. After burner tube cools, restart the heater.

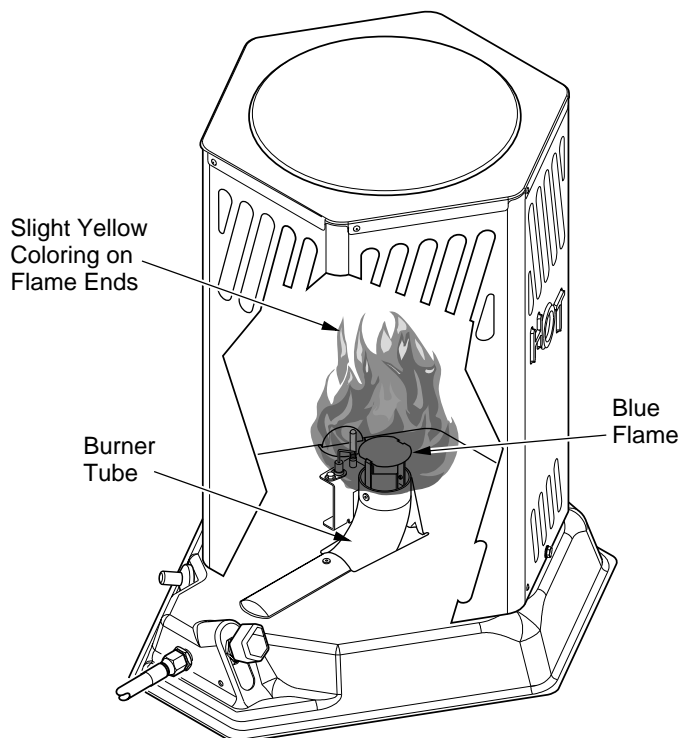


Figure 5 - Correct Flame Pattern at High Position

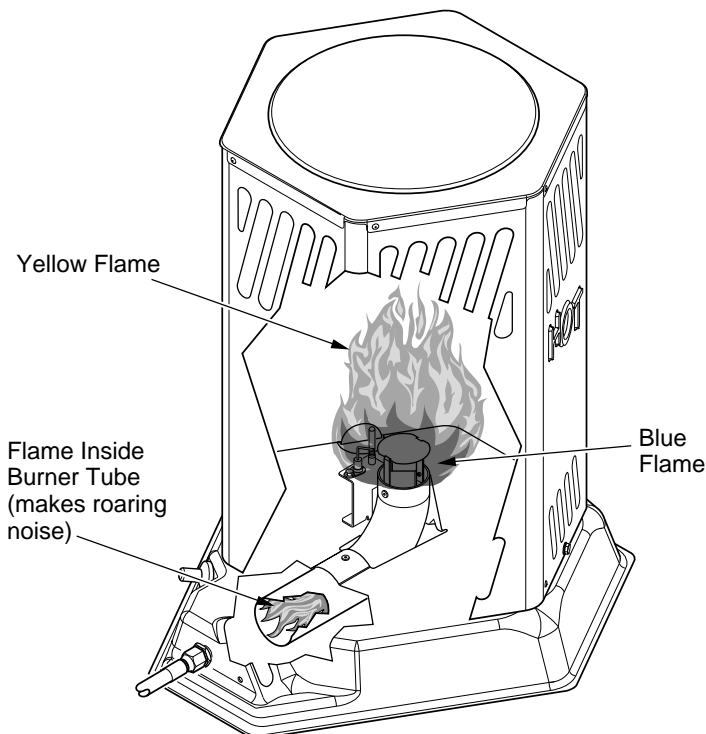


Figure 6 - Incorrect Flame Pattern During Flashback

### TO STOP HEATER

- Tightly close propane supply valve on propane tank(s). Allow heater to burn remaining fuel in hose.
- Shut off burner. Do this by pushing in the control knob and turning clockwise to the OFF position.

### TO RESTART HEATER

- Wait five minutes after stopping heater.
- Restart heater by following steps under *To Start Heater*, page 4.

## STORAGE

**CAUTION:** Disconnect heater from propane supply tank(s).

- Store propane tank(s) in safe manner. Refer to Chapter 5 of *Standard for Storage and Handling of Liquefied Petroleum Gases, ANSI/NFPA 58* and/or *CAN/CGA B149.2*. Follow all local codes. Always store propane tanks outdoors.
- Place plastic cover caps over brass fittings on inlet connector and hose/regulator assembly.
- Store in a dry, clean, and safe place.

## MAINTENANCE

**⚠ WARNING: Never attempt to service heater while it is connected to propane supply, operating, or hot. Severe burns can occur.**

1. Keep heater clean.
2. Inspect heater before each use. Check connections for leaks. Apply mixture of liquid soap and water to connections. Bubbles forming show a leak that must be corrected. Correct all leaks at once.
3. Inspect hose/regulator assembly before each use. If hose is highly worn or cut, replace.
4. Have heater inspected yearly by a qualified service person.

## SPECIFICATIONS

### Rating (Btu/Hr)

High .....	80,000
Medium .....	60,000
Low .....	40,000

Fuel ..... Propane Vapor Only

### Fuel Consumption

Gallons(Liters)/Hour .....	High 0.87 (3,29)
	Low 0.44 (1,66)
Pounds(Kg)/Hour .....	High 3.71 (1,68)
	Low 1.86 (0,84)

### Supply Pressure (To Regulator)

Maximum .....	200 psi (1.379 Kpa)
Minimum, for input adjustment .....	20 psi (137,9 Kpa)

### Manifold Pressure (inches/cm of water column)

High .....	18" (45,72)
Low .....	23.8" (60,45)

Ignitor Gap..... 0.195" (49,53)

Minimum Temperature ..... -20°F (-29°C) Surrounding  
Air Temperature

### Size - L x W x H (Inches/cm)

Heater .....	15 x 16 x 20 (38,1 x 40,64 x 50,8)
Carton .....	18 x 18.75 x 20.75 (45,72 x 47,62 x 52,70)

### Weight (Pounds/Kg)

Heater .....	13 lbs./5,90 kg
Carton .....	17 lbs./7,71 kg

## REPLACEMENT PARTS

**⚠ WARNING: Use only original replacement parts. This heater must use design-specific parts. Do not substitute or use generic parts. Improper replacement parts could cause serious or fatal injuries. This will also protect your warranty coverage for parts replaced under warranty.**

### PARTS UNDER WARRANTY

Contact authorized dealers of this product. If they can't supply original replacement part(s), either contact your nearest Parts Central or call DESA Heating Products' Technical Service Department at 1-866-672-6040.

When calling DESA Heating Products, have ready

- your name
- your address
- model and serial numbers of your heater
- how heater was malfunctioning
- purchase date

In most cases, we will ask you to return the part to the factory.

### PARTS NOT UNDER WARRANTY

Contact authorized dealers of this product. If they can't supply original replacement part(s), either contact your nearest Parts Central or call DESA Heating Products at 1-866-672-6040 for referral information.

When calling DESA Heating Products, have ready

- model number of your heater
- the replacement part number

## TROUBLESHOOTING

*Note:* For additional help, visit DESA Heating Products' technical service website at [www.desatech.com](http://www.desatech.com).

**⚠ WARNING: Never attempt to service heater while it is connected to propane supply, operating, or hot. Severe burns can occur.**

SYMPTOM	POSSIBLE CAUSE	REMEDY
Burner fails to light	<ol style="list-style-type: none"> <li>1. Propane supply valve closed on propane tank(s)</li> <li>2. Excess flow check valve closed</li> <li>3. Blockage in burner orifice</li> <li>4. Piezo ignition system not sparking</li> </ol>	<ol style="list-style-type: none"> <li>1. Open propane supply valve slowly</li> <li>2. Close propane supply valve on propane tank and reopen slowly</li> <li>3. Replace burner orifice</li> <li>4. Check to assure ignitor electrode gap is .195" Check wire lead for damage. Replace piezo ignitor and/or ignitor electrode as necessary</li> </ol>
Burner lights but goes out when automatic control valve button is released	<ol style="list-style-type: none"> <li>1. Not enough warm up time</li> <li>2. Low gas pressure</li> <li>3. Thermocouple loose or needs to be replaced</li> <li>4. Automatic control valve needs to be replaced</li> </ol>	<ol style="list-style-type: none"> <li>1. Relight, hold automatic control valve button in 45 seconds</li> <li>2. Check propane tank(s) for proper gas supply</li> <li>3. Tighten connection or replace thermocouple</li> <li>4. Replace automatic control valve</li> </ol>
Burn rate is low	<ol style="list-style-type: none"> <li>1. Control valve is on LOW</li> <li>2. Plugged gas orifice</li> <li>3. Low gas pressure</li> <li>4. Low fuel supply</li> </ol>	<ol style="list-style-type: none"> <li>1. Push and turn valve counter clockwise to MED or HIGH</li> <li>2. Replace gas orifice</li> <li>3. Check gas supply; check regulator output</li> <li>4. Consult propane gas supplier</li> </ol>

## ACCESSORIES

Purchase these heater accessories and parts from your nearest dealer or service center. If they can not supply an accessory or part, either contact your nearest Parts Central (listed in the separate Authorized Service Center booklet) or call DESA Heating Products' at 1-866-672-6040. You can also write to the address listed on the back page of this manual.

Part Number	Description
LPA4020	<b>Fuel Gas Connector</b> Connects regulator to all standard propane tanks. U.L. and AGA listed.
LPA1000	<b>10 Foot Hose</b>
LPA2160	<b>Regulator</b>
LPA3110	<b>Hose and Regulator Assembly</b>

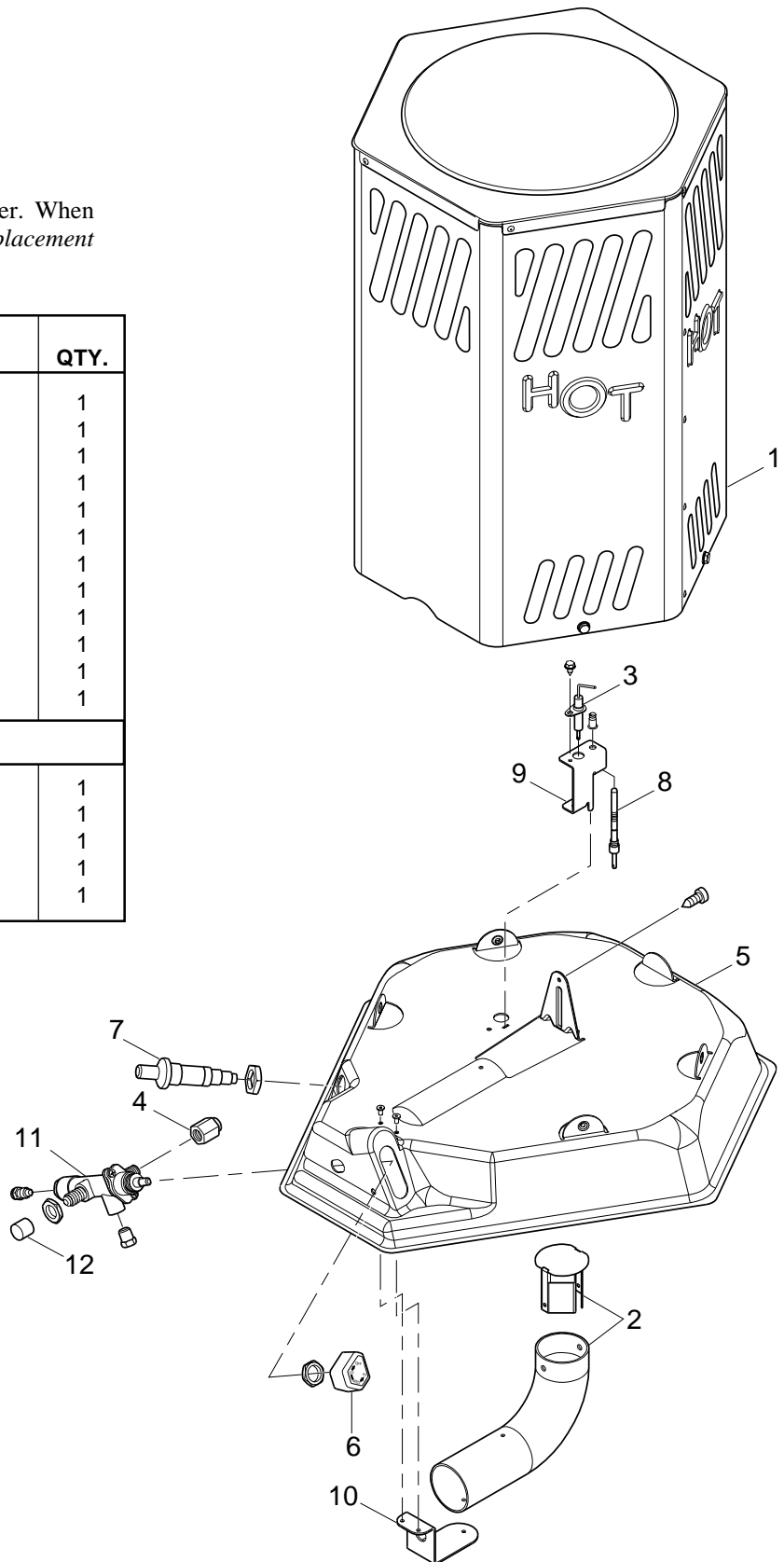
## ILLUSTRATED PARTS BREAKDOWN

### MODEL RCP80V

This list contains replaceable parts used in your heater. When ordering parts, follow the instructions listed under *Replacement Parts* on page 6 of this manual.

KEY NO.	PART NO.	DESCRIPTION	QTY.
1	**	Top and Shell Assembly	1
2	103929-01	Burner Assembly	1
3	103904-01	Ignitor Electrode	1
4	103032-01	Nozzle	1
5	**	Base	1
6	103036-01	Control Knob	1
7	102445-01	Piezo Ignitor Kit	1
8	099236-01	Thermocouple Kit	1
9	103854-01	Thermocouple Bracket	1
10	103037-01	Nozzle Locator	1
11	103930-01	Valve Assembly	1
12	078978-03	Cap Sleeve	1
<b>PARTS AVAILABLE - NOT SHOWN</b>			
	111677-02	Tradename Decal (RCP80V)	1
	099681-03	Information Decal, English	1
	099681-07	Information Decal, Spanish	1
	099683-02	Operation Decal, English	1
	099683-04	Operation Decal, Spanish	1

\*\* Not a field replaceable part.





# OWNER'S REGISTRATION FORM

Complete registration form and mail or complete on-line registration at [www.desatech.com](http://www.desatech.com) within 30 days after purchase.

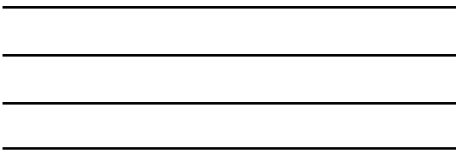
Brand: \_\_\_\_\_ (Reddy Heater, Master, Remington, etc.)  
Model: \_\_\_\_\_ (R60, HD15, etc.)  
Date Purchased: \_\_\_\_\_ Note: Keep receipt for warranty verification.  
Serial Number: \_\_\_\_\_ 7 or 9 digit number located on product or identification tag.  
First Name: \_\_\_\_\_ Last Name: \_\_\_\_\_  
Address: \_\_\_\_\_  
City: \_\_\_\_\_ State: \_\_\_\_\_ Zip: \_\_\_\_\_ Country: \_\_\_\_\_  
Phone: (\_\_\_\_) \_\_\_\_\_ - \_\_\_\_\_ E-Mail: \_\_\_\_\_

Please answer the following questions to register your product with DESA Heating Products:

1. Who will heater be used by?  Individual  Business
2. Will you use your heater in more than one location?  Yes  No
3. Where will the product be used? (You may select more than one.)  Workshop  Barn  Residential Construction  
 Commercial Construction  Garage  Factory  Recreation  Warehouse  Utility Shed/Outbuilding  
 Other \_\_\_\_\_ (Specify)
4. Cost of product (excluding sales tax)? \$ \_\_\_\_\_
5. Maintenance/service work will be performed by:  Self  Service Center  Other \_\_\_\_\_
6. If you bought this product yourself, did you plan to purchase this type of product before going into the store?  Yes  No
7. Type of store where product was purchased?  Hardware  Propane Dealer  Natural Gas/Utility Co.  Home Center or Builder's Supply  
 Farm/Ag. Supply  Auto Parts  Warehouse Club  Industrial/Contractor Supply  Rental Store  
 Discount Store  HVAC Dealer  Other \_\_\_\_\_
8. What is your primary source of heat?  Propane (LP Gas)  Natural Gas  Kerosene  Diesel  Electric  Other \_\_\_\_\_
9. What motivated you to buy this product?  Sudden Cold Weather  Replace Older Model  D.I.Y. Home Project  Emergency Back-Up Heat  
 Heater on Sale  Construction Project  Hard to Heat Location  Other \_\_\_\_\_
10. How did you learn about this product brand?  Advertisement  Relative or Friend  Co-Worker  Store Representative  
 Store Display  Previously Owned a Heater  Other \_\_\_\_\_ (Specify)
11. What other brands did you consider?  None  Master  Remington  All-Pro  Dayton  Universal  Mr. Heater  L.B. White Tradesman  
 John Deere  Dyna-Glo  Dura-Heat  Paulin  Coleman  Vogelzang American  Other \_\_\_\_\_
12. Who selected the product?  Male  Female  Both
13. Level of Education of Purchaser:  High School  Vocation/Technical School  Some College  Completed College  Graduate School
14. Age of Purchaser:  Under 20  20 - 29  30 - 39  40 - 49  50 - 59  60 or Over
15. Buyer's total annual household income:  Under \$19,999  \$20,000 to \$34,999  \$35,000 to \$49,999  
 \$50,000 to \$74,999  \$75,000 to \$99,999  \$100,000 and Over
16. What is the population of your area?  Under 10,000  10,000 to 25,000  25,000 to 50,000  50,000 to 100,000  
 100,000 to 250,000  Over 250,000
17. Store where product was purchased:  
Name: \_\_\_\_\_ City: \_\_\_\_\_ State: \_\_\_\_\_
18. In choosing this product, how important were the following:

	Not	Somewhat	Very		Not	Somewhat	Very
Availability	<input type="radio"/>	<input type="radio"/>	<input type="radio"/>	Size	<input type="radio"/>	<input type="radio"/>	<input type="radio"/>
Price	<input type="radio"/>	<input type="radio"/>	<input type="radio"/>	Prior Brand Experience	<input type="radio"/>	<input type="radio"/>	<input type="radio"/>
Brand Name	<input type="radio"/>	<input type="radio"/>	<input type="radio"/>	Built-In Thermostat	<input type="radio"/>	<input type="radio"/>	<input type="radio"/>
Overall Quality	<input type="radio"/>	<input type="radio"/>	<input type="radio"/>	Ease of Operation	<input type="radio"/>	<input type="radio"/>	<input type="radio"/>
Heat Output (Btu/Hr Rating)	<input type="radio"/>	<input type="radio"/>	<input type="radio"/>	Special Features	<input type="radio"/>	<input type="radio"/>	<input type="radio"/>
Variable Heat Output (Btu/Hr)	<input type="radio"/>	<input type="radio"/>	<input type="radio"/>	Salesperson's Recommendation	<input type="radio"/>	<input type="radio"/>	<input type="radio"/>
Made in USA	<input type="radio"/>	<input type="radio"/>	<input type="radio"/>	Friend/Relative's Recommendation	<input type="radio"/>	<input type="radio"/>	<input type="radio"/>
Warranty	<input type="radio"/>	<input type="radio"/>	<input type="radio"/>	Portability	<input type="radio"/>	<input type="radio"/>	<input type="radio"/>
Local Service	<input type="radio"/>	<input type="radio"/>	<input type="radio"/>	Quiet Operation	<input type="radio"/>	<input type="radio"/>	<input type="radio"/>
Value for Price	<input type="radio"/>	<input type="radio"/>	<input type="radio"/>				
19. This question will allow us to better understand the demographic profile of our customers. Which of the following best describes you? (not required)  
 African American  Asian American  Mexican  Puerto Rican  Cuban  Other Hispanic  White  Other \_\_\_\_\_

TAPE

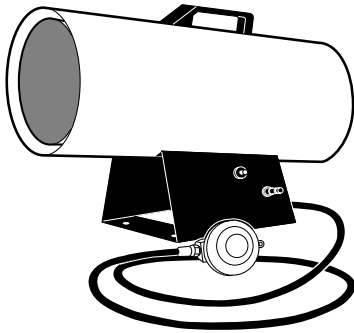


Postage  
Required

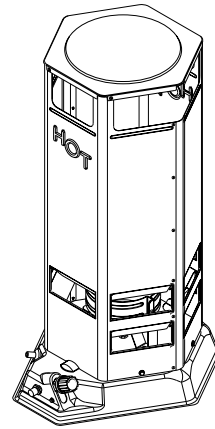
**DESA**<sup>™</sup>  
**HEATING PRODUCTS**  
2701 Industrial Drive  
P.O. Box 90004  
Bowling Green, KY 42102-9004

TAPE

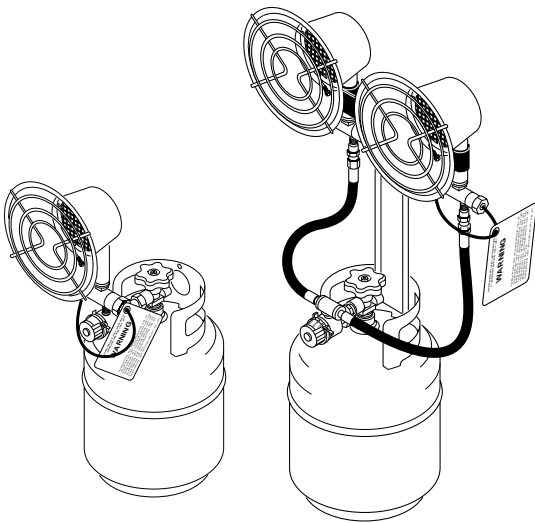
# OTHER OUTDOOR HEATING PRODUCTS



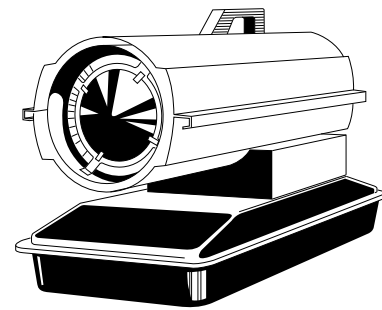
**PROPANE/LP FORCED AIR HEATERS**



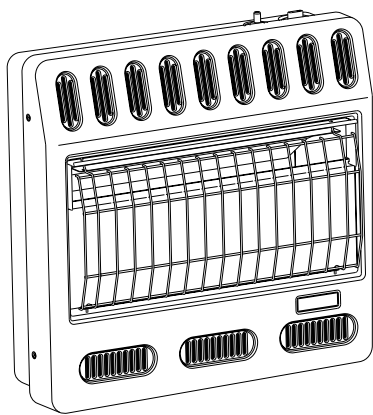
**PROPANE/LP CONVECTION HEATERS**



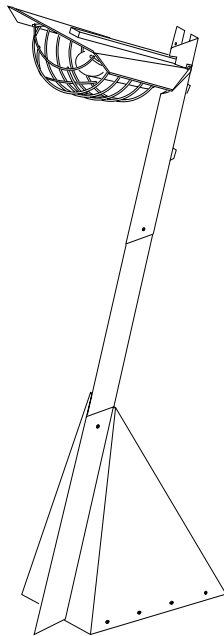
**PROPANE/LP TANK TOP HEATERS**



**PORTABLE KEROSENE/DIESEL FORCED AIR HEATERS**



**PROPANE/LP AND NATURAL GAS GARAGE HEATERS**



**PROPANE/LP PATIO HEATERS**



**PROPANE/LP AND NATURAL GAS CHIMENEAS**

# WARRANTY AND REPAIR SERVICE

## KEEP THIS WARRANTY

### LIMITED WARRANTY

DESA Heating Products warrants this product and any parts thereof, to be free from defects in materials and workmanship for one (1) year from the date of first purchase when operated and maintained in accordance with instructions. This warranty is extended only to the original retail purchaser, when proof of purchase is provided.

This warranty covers only the cost of parts and labor required to restore the product to proper operating condition. Transportation and incidental costs associated with warranty repairs are not reimbursable under this warranty.

Warranty service is available only through authorized dealers and service centers.

This warranty does not cover defects resulting from misuse, abuse, negligence, accidents, lack of proper maintenance, normal wear, alteration, modification, tampering, contaminated fuels, repair using improper parts, or repair by anyone other than an authorized dealer or service center. Routine maintenance is the responsibility of the owner.

THIS EXPRESS WARRANTY IS GIVEN IN LIEU OF ANY OTHER WARRANTY EITHER EXPRESSED OR IMPLIED, INCLUDING WARRANTIES OR MERCHANTABILITY AND FITNESS FOR A PARTICULAR PURPOSE.

DESA Heating Products assumes no responsibility for indirect, incidental or consequential damages. Some states do not allow the exclusion or limitation of incidental or consequential damages, or limitations or exclusions may not apply to you. This Limited Warranty gives you specific legal rights and you may also have other rights which vary from state to state.

This warranty does not cover discoloration due to operation of heater. We reserve the right to amend these specifications at any time without notice. The only warranty applicable is our standard written warranty. We make no other warranty, expressed or implied.

### WARRANTY SERVICE

Should your heater require service, return it to your nearest authorized service center. Proof of purchase must be presented with the heater. The heater will be inspected. A defect may be caused by faulty materials or workmanship. If so, DESA Heating Products will repair or replace the heater without charge.

### REPAIR SERVICE

Return your heater to your nearest authorized service center. Repairs not covered by the warranty will be billed at standard prices. Each Service Center is independently owned and operated. We reserve the right to amend these specifications at any time without notice.

For information, write:  
DESA Heating Products  
P.O. Box 90004  
Bowling Green, Kentucky 42102-9004  
ATTN: Customer Service Department

When writing, always include model number and serial number.

Model \_\_\_\_\_

Serial No. \_\_\_\_\_

Date of Purchase \_\_\_\_\_

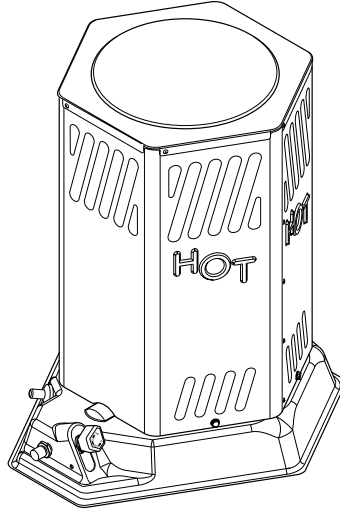


2701 Industrial Drive  
P.O. Box 90004  
Bowling Green, KY 42102-9004

For more information, visit [www.desatech.com](http://www.desatech.com)

Para obtener más información, visite [www.desatech.com](http://www.desatech.com)

**Modelo de  
40-60-80.000 BTU/h  
variable**



**IMPORTANTE:** Lea y entienda este manual antes de ensamblar, encender o dar servicio al calentador. El uso inadecuado del calentador puede causar lesiones serias. Conserve este manual para referencia futura.

**⚠ ADVERTENCIA GENERAL DE PELIGRO:**

**NO CUMPLIR CON LAS PRECAUCIONES E INSTRUCCIONES PROPORCIONADAS CON ESTE CALENTADOR PUEDE CAUSAR LA MUERTE, LESIONES FÍSICAS SERIAS Y PÉRDIDAS O DAÑOS A LA PROPIEDAD DEBIDO AL PELIGRO DE INCENDIO, EXPLOSIÓN, QUEMADURAS, ASFIXIA, INTOXICACIÓN CON MONÓXIDO DE CARBONO Y ELECTROCUCIÓN.**

**ÚNICAMENTE LAS PERSONAS QUE PUEDAN ENTENDER Y SEGUIR LAS INSTRUCCIONES DEBERÁN USAR O DAR SERVICIO A ESTE CALENTADOR.**

**SI NECESITA AYUDA O INFORMACIÓN SOBRE EL CALENTADOR, COMO MANUALES DE INSTRUCCIONES, ETIQUETAS, ETC., COMUNÍQUESE CON EL FABRICANTE.**

## TABLA DE CONTENIDO

INFORMACIÓN DE SEGURIDAD .....	2	MANTENIMIENTO .....	6
IDENTIFICACIÓN DEL PRODUCTO .....	3	ESPECIFICACIONES .....	6
DESEMPAQUE .....	3	PIEZAS DE REPUESTO .....	6
TEORÍA DE FUNCIONAMIENTO .....	3	SOLUCIÓN DE PROBLEMAS .....	7
SUMINISTRO DE PROPANO .....	3	ACCESORIOS .....	7
VENTILACIÓN .....	3	CLASIFICACIÓN ILUSTRADA	
INSTALACIÓN .....	4	DE PIEZAS Y LISTA DE PIEZAS .....	8
FUNCIONAMIENTO .....	4	INFORMACIÓN SOBRE LA GARANTÍA .....	Cubierta posterior
ALMACENAMIENTO .....	6		

**Guarde este manual para futura referencia.**

## INFORMACIÓN DE SEGURIDAD

### ⚠️ ADVERTENCIAS

**⚠️ ADVERTENCIA:** Este producto contiene y/o genera químicos que el Estado de California reconoce que causan cáncer, defectos de nacimiento u otros daños relacionados con la reproducción.

**⚠️ ADVERTENCIA:** PELIGRO DE INCENDIO, QUEMADURAS, INHALACIÓN Y EXPLOSIÓN. MANTENGA LOS COMBUSTIBLES SÓLIDOS, COMO MATERIALES DE CONSTRUCCIÓN, PAPEL O CARTÓN A UNA DISTANCIA SEGURA DEL CALENTADOR SEGÚN SE RECOMIENDA EN LAS INSTRUCCIONES. NUNCA USE EL CALENTADOR EN ESPACIOS QUE CONTENGAN O QUE PUEDAN CONTENER COMBUSTIBLES VOLÁTILES O TRANSPORTADOS POR AIRE O PRODUCTOS COMO GASOLINA, SOLVENTES, DILUYENTE DE PINTURA, PARTÍCULAS DE POLVO O QUÍMICOS DESCONOCIDOS.

**⚠️ ADVERTENCIA:** NO USAR EN RESIDENCIAS O VEHÍCULOS RECREATIVOS.

El calentador está diseñado para usarse como calentador para construcción de acuerdo con ANSI Z83.7/CGA 2.14. Otros estándares rigen el uso de gases combustibles y productos de calefacción para usos específicos. Su autoridad local puede informarle sobre éstos. El propósito principal de los calentadores para construcción es proporcionar calefacción temporal a edificios en construcción, remodelación o reparación. Cuando se usa correctamente, el calentador proporciona calefacción económica y segura. Los productos de combustión se ventilan dentro del área que se está calentando.

No podemos prever todos los usos que se les pueden dar a nuestros calentadores. **VERIFIQUE CON LA AUTORIDAD LOCAL DE SEGURIDAD CONTRA INCENDIOS SI TIENE PREGUNTAS ACERCA DEL USO DE CALENTADORES.**

Otros estándares rigen el uso de gases combustibles y productos que producen calor para usos específicos. Las autoridades locales pueden informarle sobre éstos.

**Intoxicación con monóxido de carbono:** El monóxido de carbono afecta más a algunas personas que a otras. Los signos iniciales de la intoxicación con monóxido de carbono se parecen a los de la gripe, con dolores de cabeza, mareos y/o náusea. Si usted presenta estos signos, es posible que el calentador no esté funcionando correctamente. **¡Respire aire fresco inmediatamente!** Revise que haya ventilación apropiada y dé servicio al calentador.

**Gas propano:** El gas propano es inodoro. Al gas propano se le agrega un agente oloroso. El olor le ayuda a detectar fugas de gas propano. Sin embargo, el olor que se añade al gas propano puede dispersarse. Es posible que haya gas propano presente aunque no haya ningún olor.

Asegúrese de leer y comprender todas las advertencias. Conserve este manual para referencia. Es su guía para la operación segura y correcta de este calentador.

- Instale y use el calentador cuidadosamente. Siga las ordenanzas y los códigos locales. A falta de decretos y códigos locales, consulte la *Norma de almacenamiento y manejo de gas licuado de petróleo, ANSI/NFPA 58* y el *Código de instalación de gas natural, CAN/CGA B149.2*. Éste le instruye sobre cómo almacenar y usar el gas propano de forma segura.
- Este producto ha sido aprobado para su uso en Commonwealth of Massachusetts.
- Use solamente el montaje del gas propano para la extracción de vapores.
- Proporcione ventilación adecuada. Antes de usar el calentador, proporcione una abertura de aire fresco del exterior de al menos 76 cm (2,5 pies) cuadrados.
- Para uso en interiores solamente. No use el calentador en el exterior.
- Mantenga el calentador alejado de corrientes fuertes de aire, viento, brisas húmedas, lluvia o goteos de agua.
- No use el calentador en residencias ocupadas o en habitaciones para vivir o dormir.
- No use el calentador en un sótano ni debajo del nivel del suelo. El gas propano es más pesado que el aire. Si se produce una fuga, el gas propano se asentará en el nivel más bajo posible.
- Mantenga el área cerca del aparato libre de materiales combustibles, diluyentes para pintura y otros vapores y líquidos inflamables. El polvo es combustible. No use el calentador en áreas con un contenido alto de polvo.
- Distancias mínimas entre el calentador y materiales combustibles: Laterales: 91 cm (3 pies); parte superior: 1,83 m (6 pies).
- Mantenga el calentador alejado del (de los) tanque(s) de propano a una distancia de al menos 1,83 m (6 pies).
- Mantenga el (los) tanque(s) de propano a menos de 37,8° C (100° F).
- Use sólo la manguera y el regulador preestablecido en la fábrica que se proporcionan con el calentador.
- Antes de cada uso, verifique si el calentador ha sufrido algún daño. No use un calentador dañado.
- Verifique la manguera antes de cada uso del calentador. Si la manguera está muy desgastada o con roturas, reemplácela con una manguera especificada por el fabricante antes de usar el calentador.
- No altere el calentador. Manténgalo en su estado original.
- No use el calentador si ha sido alterado.
- Sitúe el calentador en una superficie estable y nivelada si el calentador está caliente o si está funcionando.
- No está diseñado para uso en pisos con acabado.
- Nunca bloquee la entrada de aire (parte inferior de la cubierta) ni la salida de aire (alrededor de la parte superior de la cubierta) del calentador.

## INFORMACIÓN DE SEGURIDAD

### Continuación

- Nunca deje funcionando el calentador desatendido.
- Evite que los niños y los animales se acerquen al calentador.
- Nunca mueva, maneje o dé mantenimiento a un calentador caliente o en funcionamiento. Pueden producirse quemaduras serias. Debe esperar 15 minutos después de apagar el calentador.
- Para evitar lesiones, use guantes cuando maneje el calentador.
- Nunca fije tubería al calentador.
- Cierre el suministro de gas propano al calentador cuando no se esté usando.
- Use sólo piezas de repuesto originales. Este calentador debe usar piezas diseñadas específicamente. No las sustituya ni use piezas genéricas. El uso de piezas de repuesto inadecuadas puede ocasionar lesiones serias o fatales.

## IDENTIFICACIÓN DEL PRODUCTO

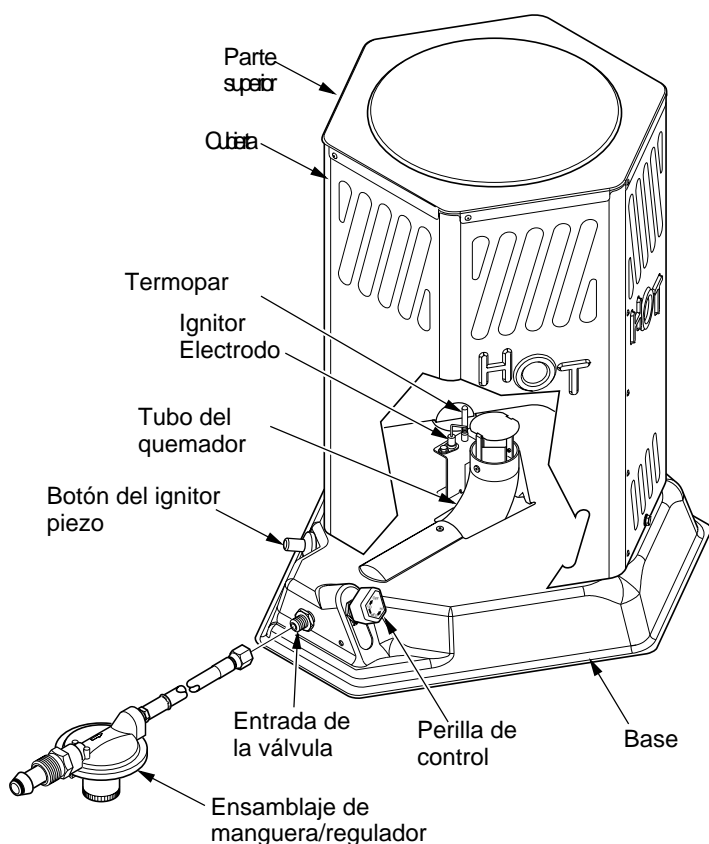


Figura 1: Identificación del producto

## DESEMPAQUE

1. Retire todos los elementos de empaque aplicados al calentador para su envío. Mantenga los tapones de plástico (fijados a la válvula de entrada y al ensamblaje de la manguera/regulador) colocados para guardarlo.
2. Saque todos los elementos de la caja.
3. Revise todos los elementos para ver si hay daños debidos al transporte. Si el calentador está dañado, informe de inmediato al distribuidor a quien lo compró.

## TEORÍA DEL FUNCIONAMIENTO

**El sistema de combustible:** El ensamblaje de la manguera/regulador se fija al suministro del gas propano. Esto proporciona combustible al calentador.

**El sistema de ignición:** El ignitor piezo enciende el quemador principal.

**El sistema de control automático:** Este sistema ocasiona que el calentador se apague si se extingue la llama.

## SUMINISTRO DE PROPANO

Debe proporcionar gas y tanques de propano.

Use el calentador solamente con un sistema de suministro con extracción de vapores de propano. Consulte el capítulo 5 de la Norma de almacenamiento y manejo de gas licuado de petróleo, ANSI/NFPA 58 y/o CAN/CGA B149.2. La biblioteca o departamento de bomberos de su localidad tiene este folleto.

Este calentador funciona con un tanque de propano de 9,07 kg (20 lb). Sin embargo, sólo puede hacerlo funcionar en la posición de BAJA durante clima moderadamente frío. En posiciones de calor más altas o durante clima más frío, debe usar tanques más grandes.

La cantidad de gas propano lista para usarse de los tanques de propano varía. Dos factores determinan esta cantidad.

1. La cantidad de gas propano en el (los) tanque(s)
2. La temperatura del (de los) tanque(s)

La siguiente tabla muestra el número mínimo de tanques de 45 kg (100 lb) que se necesitan para hacer funcionar el calentador. Conecte los tanques entre sí con un tubo múltiple.

Temperatura promedio (°C [°F]) en la ubicación del tanque	Número de tanques
15,6°C (60°F)	1
4,4°C (40°F)	1
0°C (32°F)	1
-6,7°C (20°F)	1
-12,2°C (10°F)	2
-17,8°C (0°F)	2

A temperaturas más bajas se vaporiza menos gas. El surtidor de gas de su localidad le ayudará a seleccionar el sistema de suministro apropiado.

## VENTILACIÓN

**⚠ ADVERTENCIA:** Debe haber una abertura de aire fresco del exterior de al menos 76 cm (2,5 pies) cuadrados mientras el calentador está encendido. Si no se procura ventilación de aire fresco del exterior, puede haber una intoxicación con monóxido de carbono. Procure una abertura de aire fresco del exterior antes de encender el calentador.

## INSTALACIÓN

**⚠ ADVERTENCIA:** Revise y comprenda las advertencias en la sección *Información de seguridad*, página 2. Son necesarias para operar seguramente este calentador. Siga todas los códigos locales al utilizar este calentador.

**⚠ ADVERTENCIA:** Pruebe todas las tuberías de gas y sus conexiones para saber si hay fugas después de instalar o dar servicio. Nunca use una llama al descubierto para verificar una fuga. Aplique una mezcla de jabón líquido y agua en todas las uniones. La formación de burbujas indica una fuga. Corrija todas las fugas inmediatamente.

1. Proporcione un sistema de suministro de propano (consulte *Suministro de propano*, página 3).
2. Conecte el adaptador de gas combustible del ensamblaje de la manguera/regulador a los tanques de propano. Gire el adaptador de gas combustible en sentido contrario al de las manecillas del reloj en la rosca del tanque. Apriete firmemente usando una llave. **IMPORTANTE:** Apriete el regulador con la ventila apuntando hacia abajo. El apuntar la ventila hacia abajo protege al regulador de daños por el clima.
3. Conecte la manguera a la entrada de la válvula. Apriete firmemente usando una llave. Debe usar el regulador suministrado con el calentador, incluso si el tanque de propano tiene uno.
4. Abra lentamente la válvula del suministro de propano en el(los) tanque(s) de propano. **Nota:** Si no se abre lentamente, es posible que la válvula de exceso de flujo del tanque de propano detenga el flujo del gas. Si esto sucede, es posible que escuche un chasquido en el interior del regulador al cerrarse la válvula de exceso de flujo. Para restablecer la válvula de exceso de flujo, cierre la válvula del suministro de propano y ábrala de nuevo lentamente.
5. Revise todas las conexiones en busca de fugas. Aplique una mezcla de jabón líquido y agua a todas las uniones de la línea de gas. La formación de burbujas indica una fuga que se debe corregir.
6. Cierre la válvula del suministro de propano.

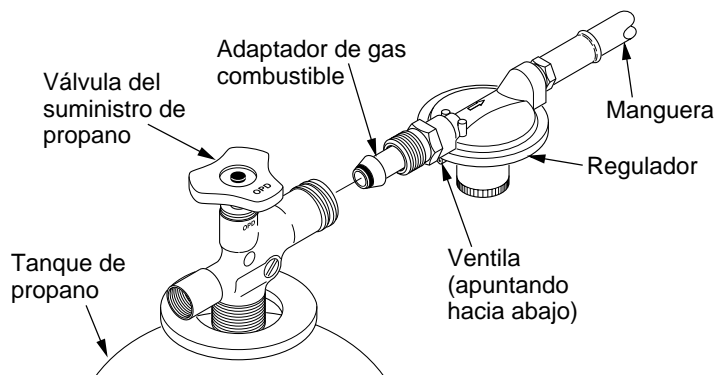


Figura 2: Regulador con ventila apuntando hacia abajo

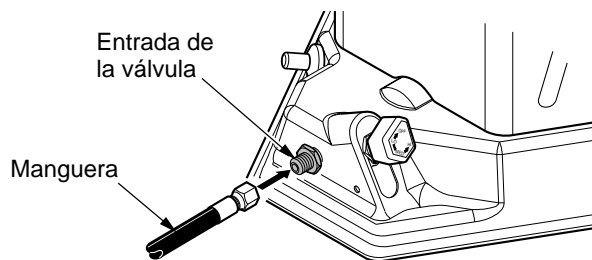


Figura 3: Manguera y entrada de la válvula

## FUNCIONAMIENTO

**⚠ ADVERTENCIA:** Revise y comprenda las advertencias en la sección *Información de seguridad*, página 2. Son necesarias para operar seguramente este calentador. Siga todas los códigos locales al utilizar este calentador.

### PARA ENCENDER EL CALENTADOR

1. Siga toda la información de instalación, ventilación y seguridad.
2. Sitúe el calentador sobre una superficie estable y nivelada. Asegúrese de que no haya corrientes fuertes de aire soplando en el calentador.
3. Asegúrese de que la unidad esté apagada oprimiendo ligeramente y girando la perilla de control completamente en el sentido de las manecillas del reloj a la posición de APAGADO.
4. Abra lentamente la válvula del suministro de propano en el(los) tanque(s) de propano. **Nota:** Si no se abre lentamente, es posible que la válvula de exceso de flujo del tanque de propano detenga el flujo del gas. Si esto sucede, es posible que escuche un chasquido en el interior del regulador al cerrarse la válvula de exceso de flujo. Para restablecer la válvula de exceso de flujo, cierre la válvula del suministro de propano y ábrala de nuevo lentamente.
5. Presione ligeramente y gire la perilla de control en sentido contrario al de las manecillas del reloj a la posición de BAJA (consulte la figura 4, página 5).



## FUNCIONAMIENTO

### Continuación

- Con la perilla de control oprimida completamente, presione y suelte el botón del ignitor piezo. Continúe oprimiendo el botón del ignitor piezo hasta que se encienda el quemador. Mantenga presionada la perilla durante un máximo de 15 segundos mientras se intenta la ignición. Si el calentador no arde, suelte la perilla de control y espere 3 minutos antes de volver a intentar la ignición.
- Después de la ignición, mantenga oprimida la perilla de control durante 30 segundos aproximadamente. Esto activa el sistema de control automático.
- Cuando el quemador principal permanezca encendido, coloque el calentador en el nivel de calor deseado oprimiendo ligeramente la perilla de control y girándola en sentido contrario al de las manecillas del reloj a la posición de MEDIA o ALTA (consulte la figura 4).
- Si se apaga el quemador, cierre el gas. Presione ligeramente y gire la perilla de control completamente en el sentido de las manecillas del reloj a la posición de APAGADO. Revise el suministro de combustible. Si el combustible adecuado está disponible, vuelva a encender el calentador, comenzando en el paso 1, página 4.

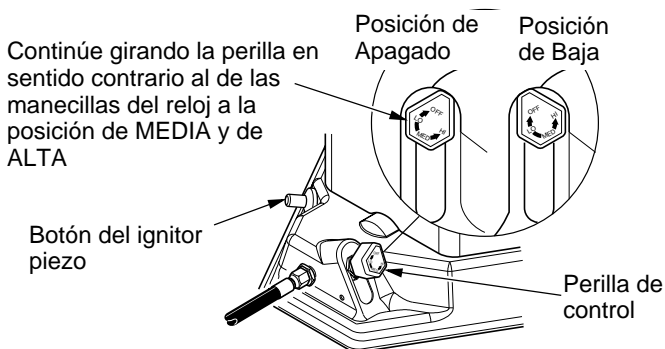


Figura 4: Ubicaciones de la perilla de control y del botón del ignitor piezo

### PATRONES DE LA LLAMA

La figura 5 muestra un patrón de llama correcto. La llama del quemador es principalmente azul, con coloración amarilla en las puntas.

La figura 6 muestra un patrón de llama incorrecto. La llama es principalmente amarilla. El patrón de llama incorrecto es ocasionado porque la presión del gas es baja o por retorno de la llama.

**⚠ PRECAUCIÓN:** Si se hace funcionar el calentador por debajo de la clasificación de entrada especificada, se puede ocasionar el retorno de la llama. Durante el retorno de la llama, la llama del quemador es principalmente amarilla. La llama se quema dentro del tubo del quemador, ocasionando un sonido estruendoso. Si se produce un retorno de la llama, apague el calentador. Después de que el tubo del quemador se haya enfriado, vuelva a encender el calentador.

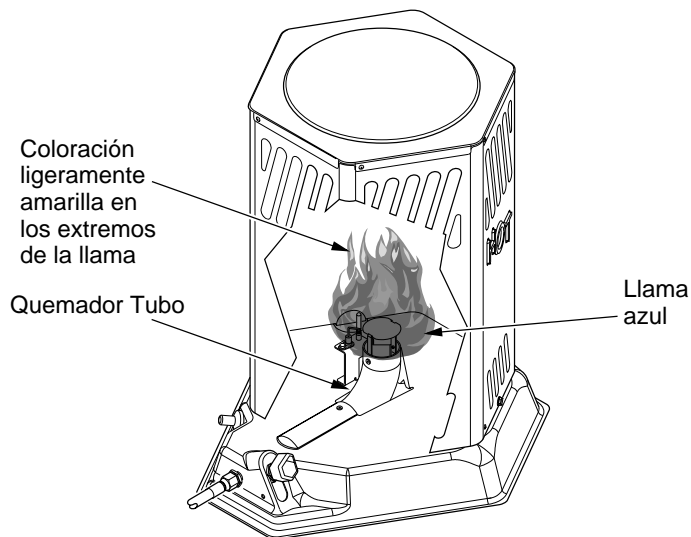


Figura 5. Patrón de llama correcto en la posición de ALTA

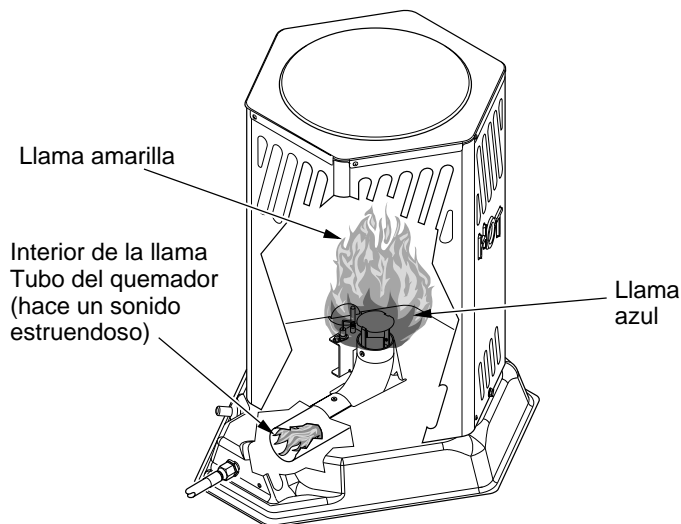


Figura 6. Patrón de llama incorrecto durante el retorno de la llama

### PARA APAGAR EL CALENTADOR

- Cierre firmemente la válvula del suministro de propano en el(los) tanque(s) de propano. Deje que el calentador quemé el combustible que queda en la manguera.
- Apague el quemador. Hágalo presionando la perilla de control y girándola en el sentido de las manecillas del reloj a la posición de APAGADO.

### PARA VOLVER A ENCENDER EL CALENTADOR

- Espere cinco minutos después de detener el calentador.
- Vuelva a encender el calentador siguiendo los pasos que se indican en *Para encender el calentador*, página 4.

## ALMACENAMIENTO

**⚠ PRECAUCIÓN:** Desconecte el calentador del(de los) tanque(s) de suministro de propano.

1. Guarde el(los) tanque(s) de propano de forma segura. Consulte el capítulo 5 de la *Norma de almacenamiento y manejo de gas licuado de petróleo, ANSI/NFPA 58 y/o CAN/CGA B149.2*. Siga todos los códigos locales. Guarde siempre los tanques de propano en el exterior.
2. Ponga los tapones de plástico en los adaptadores de latón en el conector de entrada y el ensamblaje de la manguera/regulador.
3. Guárdelo en un lugar seco, limpio y seguro.

## MANTENIMIENTO

**⚠ ADVERTENCIA:** Nunca intente dar servicio a un calentador mientras esté conectado al suministro de propano, funcionando o caliente. Pueden producirse quemaduras serias.

1. Mantenga el calentador limpio.
2. Inspeccione al calentador antes de cada uso. Revise las conexiones en busca de fugas. Aplique una mezcla de jabón líquido y agua en todas las conexiones. La formación de burbujas indica una fuga que se debe corregir. Corrija todas las fugas inmediatamente.
3. Inspeccione el ensamblaje de manguera/regulador antes de cada uso. Si la manguera está muy desgastada o con roturas, reemplácela.
4. Haga que una persona de servicio calificada inspeccione el calentador una vez al año.

## ESPECIFICACIONES

Clasificación (BTU/h)

Alta .....	80.000
Media .....	60.000
Baja .....	40.000

Combustible ..... Sólo vapor de propano

Consumo de combustible

Litros/hora (galones/hora)....	Alta 3,29 (0,87), Baja 1,66 (0,44)
Kilogramos/hora (libras/hora) ...	Alta 1,68 (3,71), Baja 0,84 (1,86)

Presión del suministro (al regulador)

Máxima .....	1.379 Kpa (200 psi)
Mínima, para ajuste de entrada .....	137,9 Kpa (20 psi)

Presión del válvula

(centímetros [pulgadas] de columna de agua)

Alta .....	45,72 (18)
Baja .....	60,45 (23,8)

Cavidad del Ignitor ..... 49,53 mm (0,195 pul)

Temperatura mínima ..... -29°C (-20°F) del aire circundante

Tamaño - largo x ancho x altura en centímetros (pulgadas)

Calentador	38,1 x 40,64 x 50,8 (15 x 16 x 20)
Caja	45,72 x 47,62 x 52,70 (18 x 18,75 x 20,75)

Peso en kilogramos (libras)

Calentador .....	5,90 (13)
Caja .....	7,71 (17)

## PIEZAS DE REPUESTO

**⚠ ADVERTENCIA:** Use sólo piezas de repuesto originales. Este calentador debe usar piezas diseñadas específicamente. No las sustituya ni use piezas genéricas. El uso de piezas de repuesto inadecuadas puede ocasionar lesiones serias o fatales. Esto también protegerá la cobertura de su garantía para piezas reemplazadas con garantía.

### PIEZAS CON GARANTÍA

Comuníquese con los distribuidores autorizados de este producto. Si no pueden suministrar piezas de repuesto originales, comuníquese con la Central de piezas más cercana o llame al Departamento de servicio técnico de DESA Heating Products al 1-866-672-6040.

Cuando llame a DESA Heating Products, tenga listo

- su nombre
- su dirección
- los números de modelo y de serie de su calentador
- la falla del calentador
- la fecha de compra

En la mayoría de los casos, le pediremos que regrese la pieza a la fábrica.

### PIEZAS SIN GARANTÍA

Comuníquese con los distribuidores autorizados de este producto. Si no pueden suministrar piezas de repuesto originales, comuníquese con la Central de piezas más cercana o llame a DESA Heating Products al 1-866-672-6040 para obtener información de referencia.

Cuando llame a DESA Heating Products, tenga listo

- el número de modelo de su calentador
- el número de la pieza de repuesto

## SOLUCIÓN DE PROBLEMAS

*Nota:* Para obtener ayuda adicional, visite el sitio web de servicio técnico de DESA Heating Products en [www.desatech.com](http://www.desatech.com).

**⚠ ADVERTENCIA:** Nunca intente dar mantenimiento a un calentador mientras esté conectado al suministro de propano, funcionando o caliente. Pueden producirse quemaduras serias.

SÍNTOMA	POSIBLE CAUSA	REMEDIO
El quemador no se enciende	<ol style="list-style-type: none"> <li>Válvula del suministro de propano cerrada en el(los) tanque(s)</li> <li>Válvula de exceso de flujo cerrada</li> <li>Bloqueo en el orificio del quemador</li> <li>El sistema de encendido piezo no produce chispa</li> </ol>	<ol style="list-style-type: none"> <li>Abra la válvula del suministro de propano lentamente</li> <li>Cierre la válvula de suministro de propano del tanque de propano y vuelva a abrirla lentamente</li> <li>Reemplace el orificio del quemador</li> <li>Verifique que la cavidad del electrodo del ignitor sea de 49,53 mm (0,195 pul). Revise la terminal del cable en busca de daños. Reemplace el ignitor piezo y/o el electrodo del ignitor, según sea necesario</li> </ol>
El quemador se enciende pero se apaga cuando se suelta el botón de la válvula de control automático	<ol style="list-style-type: none"> <li>El tiempo de calentamiento no es suficiente</li> <li>Presión del gas baja</li> <li>El termopar está flojo o se debe reemplazar</li> <li>La válvula de control automática se debe reemplazar</li> </ol>	<ol style="list-style-type: none"> <li>Vuelva a encender, sostenga oprimido el botón de la válvula de control automático durante 45 segundos</li> <li>Revise el (los) tanque(s) de propano para que haya un suministro de gas apropiado</li> <li>Apriete la conexión o reemplace el termopar</li> <li>Reemplace la válvula de control automático</li> </ol>
La tasa de encendido es baja	<ol style="list-style-type: none"> <li>La válvula de control está en BAJA</li> <li>Orificio de gas tapado</li> <li>Presión del gas baja</li> <li>Suministro de combustible bajo</li> </ol>	<ol style="list-style-type: none"> <li>Presione y gire el contador de la válvula en el sentido de las manecillas del reloj a MEDIA o ALTA</li> <li>Reemplace el orificio de gas</li> <li>Verifique el suministro de gas; verifique la salida del regulador</li> <li>Consulte al proveedor de gas propano</li> </ol>

## ACCESORIOS

Adquiera estos accesorios y piezas del calentador mediante su distribuidor o centro de servicio más cercano. Si no pueden suministrarle algún accesorio o pieza, comuníquese con la Central de piezas más cercana (listada en el folleto de Centros de servicio autorizados por separado) o comuníquese con DESA Heating Products al 1-866-672-6040. También puede escribir a la dirección que aparece en la página trasera de esta manual.

Número de pieza	Descripción
LPA4020	<b>Conector de gas combustible</b> Conecta el regulador a todos los tanques de propano estándar. Listado en Underwriters Laboratories (UL) y en la American Gas Association (AGA).
LPA1000	<b>Manguera de 3,05 m (10 pies)</b>
LPA2160	<b>Regulador</b>
LPA3110	<b>Ensamblaje de la manguera y el regulador</b>

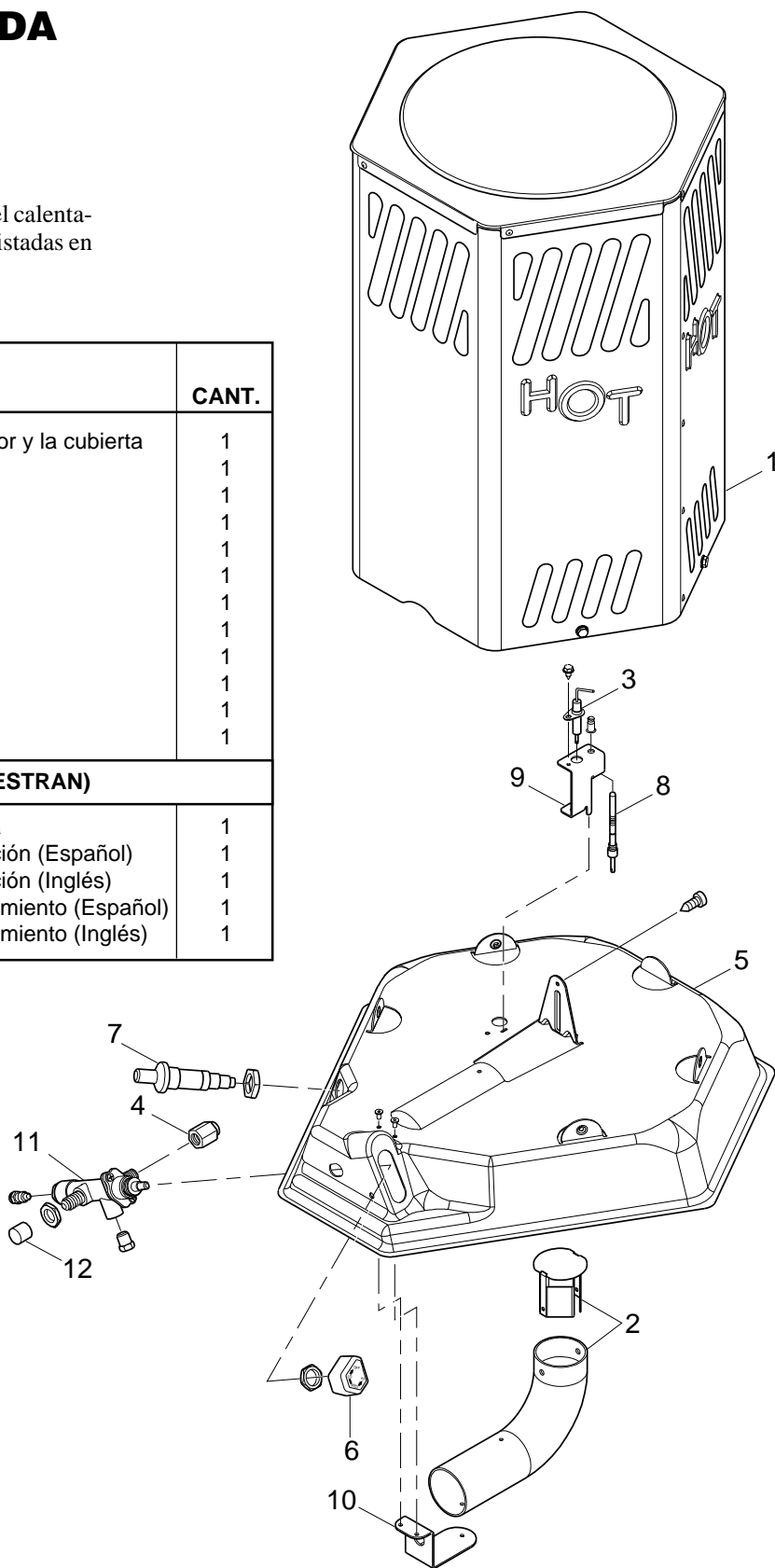
## CLASIFICACIÓN ILUSTRADA DE PIEZAS

### MODELO RCP80V

Esta lista contiene las partes reemplazables utilizadas en el calentador. Al hacer un pedido de piezas, siga las instrucciones listadas en *Piezas de repuesto* en la página 6 de este manual.

NÚMERO DE CLAVE	NÚMERO DE PIEZA	DESCRIPCIÓN	CANT.
1	**	Ensamblaje de la parte superior y la cubierta	1
2	103929-01	Ensamblaje del quemador	1
3	103904-01	Electrodo del ignitor	1
4	103032-01	Boquilla	1
5	**	Base	1
6	103036-01	Perilla de control	1
7	102445-01	Juego del ignitor piezo	1
8	099236-01	Juego del termopar	1
9	103854-01	Soporte del termopar	1
10	103037-01	Localizador de la boquilla	1
11	103930-01	Ensamblaje de la válvula	1
12	078978-03	Tapa de la funda	1
<b>PIEZAS DISPONIBLES (NO SE MUESTRAN)</b>			
	111677-02	Etiqueta adhesiva de la marca	1
	099681-07	Etiqueta adhesiva de información (Español)	1
	099681-03	Etiqueta adhesiva de información (Inglés)	1
	099683-04	Etiqueta adhesiva de funcionamiento (Español)	1
	099683-02	Etiqueta adhesiva de funcionamiento (Inglés)	1

\*\* No es una pieza reemplazable por el usuario o por un técnico.



# FORMULARIO DE REGISTRO DEL PROPIETARIO

Complete el formulario de registro y envíelo, o bien complete el registro en línea en [www.desatech.com](http://www.desatech.com) dentro de los primeros 30 días después de la compra.

Marca: \_\_\_\_\_ (Reddy Heater, Master, Remington, etc.)  
 Modelo: \_\_\_\_\_ (R60, HD15, etc.)  
 Fecha de compra: \_\_\_\_\_ Nota: Guarde el recibo para verificación de la garantía.  
 Número de serie: \_\_\_\_\_ número de 7 ó 9 dígitos ubicado en el producto o en la etiqueta de identificación.  
 Nombre: \_\_\_\_\_ Apellido: \_\_\_\_\_  
 Dirección: \_\_\_\_\_  
 Ciudad: \_\_\_\_\_ Estado: \_\_\_\_\_ Código postal: \_\_\_\_\_ País: \_\_\_\_\_  
 Teléfono: (\_\_\_\_) \_\_\_\_\_ - \_\_\_\_\_ Correo electrónico: \_\_\_\_\_

Por favor conteste las siguientes preguntas para registrar su producto con DESA Heating Products:

- ¿Quién utilizará el calentador?  Individuo  Empresa
- ¿Utilizará el calentador en más de un lugar?  Sí  No
- ¿Dónde se utilizará el producto? (Puede seleccionar más de uno).  Taller  Granero  Construcción residencial  
 Construcción comercial  Cochera  Fábrica  Recreación  Almacén  Cobertizo para herramientas/almacenaje  
 Otro \_\_\_\_\_ (especifique)
- Costo del producto (excluyendo los impuestos): \$ \_\_\_\_\_
- El mantenimiento/trabajo de servicio lo proporcionará:  Usted mismo  Centro de servicio  Otro \_\_\_\_\_
- Si compró este producto usted mismo, ¿había planeado adquirir este tipo de producto antes de ir a la tienda?  Sí  No
- Tipo de tienda donde adquirió el producto:  Ferretería  Distribuidor de propano  Compañía de gas natural/electricidad  
 Centro para el hogar o proveedora para la construcción  Distribuidor para granjas/agricultura  Tienda de partes para automóvil  
 Almacén club  Distribuidor industrial/para contratista  Tienda de arrendamientos  Tienda de descuento  Proveedor de HVAC  
 Otro \_\_\_\_\_
- ¿Cuál es su fuente principal de calefacción?  Propano (Gas LP)  Gas Natural  Keroseno  Diesel  Electricidad  Otro \_\_\_\_\_
- ¿Qué lo motivó a comprar este producto?  Clima frío repentino  Reemplazo de un modelo antiguo  
 Proyecto en el hogar emprendido por usted  Calefacción de respaldo para emergencias  Calentador en oferta  Proyecto de construcción  
 Lugar difícil de calentar  Otro \_\_\_\_\_
- ¿Cómo conoció esta marca de productos?  Anuncio  Pariente o amigo  Compañero de trabajo  Representante de la tienda  
 Muestra en la tienda  Posesión previa de un calentador  Otro \_\_\_\_\_ (especifique)
- ¿Qué otras marcas consideró?  Ninguna  Master  Remington  All-Pro  Dayton  Universal  Mr. Heater  L.B. White Tradesman  
 John Deere  Dyna-Glo  Dura-Heat  Paulin  Coleman  Vogelzang American  Otra \_\_\_\_\_
- ¿Quién seleccionó el producto?  Hombre  Mujer  Ambos
- Nivel de educación del comprador:  Preparatoria  Escuela vocacional/técnica  Algo de universidad  Universidad completa  Postgrado
- Edad del comprador:  Menos de 20  20 - 29  30 - 39  40 - 49  50 - 59  60 o más
- Total de ingresos anuales del hogar del comprador:  Menos de \$19.999  \$20.000 a \$34.999  \$35.000 a \$49.999  
 \$50.000 a \$74.999  \$75.000 a \$99.999  \$100.000 o más
- ¿Cuántos habitantes hay en su área?  Menos de 10.000  10.000 a 25.000  25.000 a 50.000  50.000 a 100.000  
 100.000 a 250.000  Más de 250.000
- Tienda donde compró el producto:  
 Nombre: \_\_\_\_\_ Ciudad: \_\_\_\_\_ Estado: \_\_\_\_\_
- Al escoger este producto, qué tan importante fue lo siguiente:
 

	No	Algo	Bastante		No	Algo	Bastante
Disponibilidad	<input type="radio"/>	<input type="radio"/>	<input type="radio"/>	Tamaño	<input type="radio"/>	<input type="radio"/>	<input type="radio"/>
Precio	<input type="radio"/>	<input type="radio"/>	<input type="radio"/>	Experiencia previa con la marca	<input type="radio"/>	<input type="radio"/>	<input type="radio"/>
Marca	<input type="radio"/>	<input type="radio"/>	<input type="radio"/>	Termostato integrado	<input type="radio"/>	<input type="radio"/>	<input type="radio"/>
Calidad en general	<input type="radio"/>	<input type="radio"/>	<input type="radio"/>	Facilidad de operación	<input type="radio"/>	<input type="radio"/>	<input type="radio"/>
Emisión de calor (valor de Btu/h)	<input type="radio"/>	<input type="radio"/>	<input type="radio"/>	Características especiales	<input type="radio"/>	<input type="radio"/>	<input type="radio"/>
Emisión de calor variable (Btu/h)	<input type="radio"/>	<input type="radio"/>	<input type="radio"/>	Recomendación del vendedor	<input type="radio"/>	<input type="radio"/>	<input type="radio"/>
Hecho en los EE.UU.	<input type="radio"/>	<input type="radio"/>	<input type="radio"/>	Recomendación de familiares/amigos	<input type="radio"/>	<input type="radio"/>	<input type="radio"/>
Garantía	<input type="radio"/>	<input type="radio"/>	<input type="radio"/>	Portabilidad	<input type="radio"/>	<input type="radio"/>	<input type="radio"/>
Servicio local	<input type="radio"/>	<input type="radio"/>	<input type="radio"/>	Funcionamiento silencioso	<input type="radio"/>	<input type="radio"/>	<input type="radio"/>
Buena adquisición por el precio	<input type="radio"/>	<input type="radio"/>	<input type="radio"/>				
- Esta pregunta nos ayudará a comprender de mejor manera el perfil demográfico de nuestros clientes. ¿Cuál de lo siguiente lo describe mejor? (no se requiere)  Afroamericano  Asiático Americano  Mexicano  Puertorriqueño  Cubano  Otro Hispano  Anglosajón  
 Otro \_\_\_\_\_

PEGUE

---

---

---

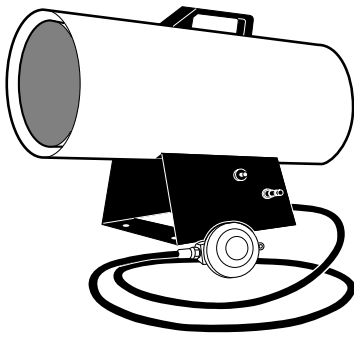
---

Se  
necesita  
porte  
postal

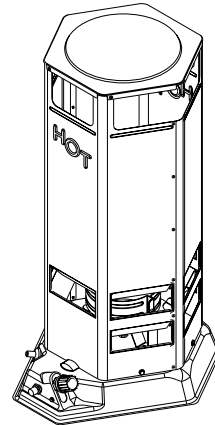
**DESA**<sup>TM</sup>  
**HEATING PRODUCTS**  
2701 Industrial Drive  
P.O. Box 90004  
Bowling Green, KY 42102-9004,  
EE.UU.

PEGUE

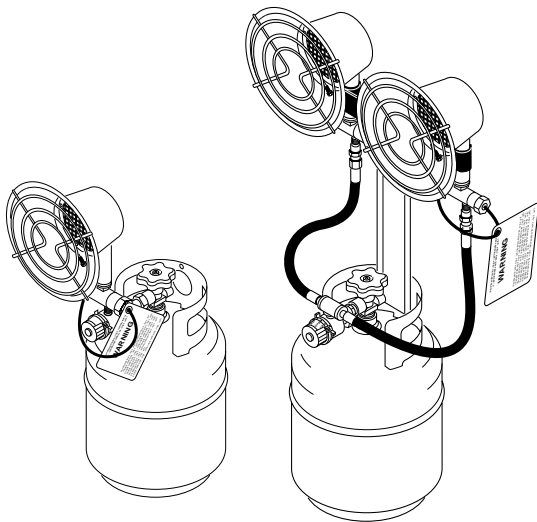
# OTROS PRODUCTOS PARA CALEFACCIÓN EN EXTERIORES



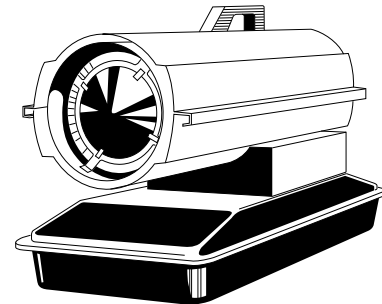
**CALENTADORES DE PROPANO POR AIRE FORZADO**



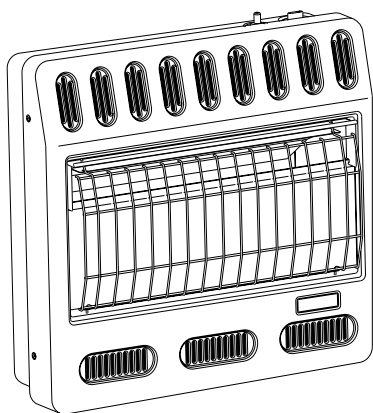
**CALENTADORES DE CONVECCIÓN DE PROPANO**



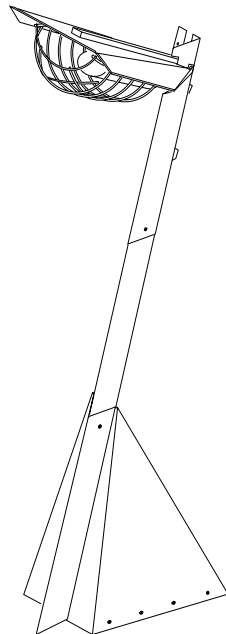
**CALENTADORES DE PROPANO SITUADOS SOBRE EL TANQUE**



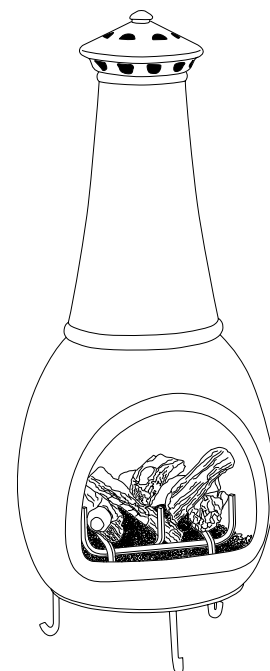
**CALENTADORES POR AIRE FORZADO PORTÁTILES DE QUEROSÉN / COMBUSTIBLE**



**CALENTADORES PARA EL GARAJE DE PROPANO Y GAS NATURAL**



**CALENTADORES DE PROPANO PARA PATIOS**



**CHIMENEAS DE PROPANO Y GAS NATURAL**

# GARANTÍA Y SERVICIO DE REPARACIÓN

## GUARDE ESTA GARANTÍA

### GARANTÍA LIMITADA

DESA Heating Products (productos de calefacción de DESA) garantiza que este producto y todas sus partes están libres de defectos en los materiales y la mano de obra durante un (1) año a partir de la primera compra, siempre que se hayan operado y mantenido de acuerdo con las instrucciones. Esta garantía se extiende solamente al comprador minorista original, cuando se proporciona una prueba de compra.

Esta garantía sólo cubre el costo de las piezas y de la mano de obra requeridos para restablecer el producto a su condición de operación adecuada. Los costos de transporte e incidentales asociados con reparaciones de garantía no son reembolsables bajo esta garantía.

El servicio de garantía está disponible sólo a través de distribuidores y centros de servicio autorizados.

Esta garantía no cubre defectos ocasionados por mal uso, abuso, negligencia, accidentes, falta de mantenimiento adecuado, desgaste normal, alteración, modificación, manipulación, combustibles contaminados, reparación usando piezas inadecuadas o reparación realizada por cualquiera que no sea un distribuidor o centro de servicio autorizado. El mantenimiento de rutina es responsabilidad del propietario.

ESTA GARANTÍA EXPRESA SE OTORGA EN LUGAR DE CUALQUIER OTRA GARANTÍA, YA SEA EXPRESA O IMPLÍCITA, INCLUYENDO GARANTÍAS O APROVECHAMIENTO Y APTITUD PARA UN PROPÓSITO EN PARTICULAR.

DESA Heating Products no asume ninguna responsabilidad por daños indirectos, incidentales o perjuicios. Algunos estados no permiten la exclusión o limitación de daños incidentales o perjuicios, o es posible que las exclusiones no sean aplicables a usted. Esta Garantía limitada le otorga derechos legales específicos y usted podría tener también otros derechos que varían de un estado a otro.

Esta garantía no cubre la decoloración debida a la operación del calentador. Nos reservamos el derecho de modificar estas especificaciones en cualquier momento sin previo aviso. La única garantía aplicable es nuestra garantía por escrito regular. No otorgamos ninguna otra garantía, expresa o implícita.

### SERVICIO DE GARANTÍA

Si su calentador requiere servicio, regréselo al centro de servicio autorizado más cercano. Se debe presentar una prueba de compra con el calentador. El calentador será inspeccionado. Un defecto puede ser ocasionado por materiales o mano de obra defectuosos. Si es así, DESA Heating Products reparará o reemplazará el calentador sin ningún cargo.

### SERVICIO DE REPARACIÓN

Regrese su calentador al centro de servicio autorizado más cercano. Las reparaciones no cubiertas por la garantía se cobrarán a los precios regulares. Cada Centro de servicio tiene un propietario y una operación independientes. Nos reservamos el derecho de modificar estas especificaciones en cualquier momento sin previo aviso.

Para obtener información, escriba a:  
DESA Heating Products  
P.O. Box 90004

Bowling Green, Kentucky 42102-9004  
ATTN: Customer Service Department

Cuando escriba, siempre incluya el número de modelo y el número de serie.

Modelo \_\_\_\_\_

Nº de serie \_\_\_\_\_

Fecha de compra \_\_\_\_\_

**DESA**<sup>TM</sup>  
**HEATING PRODUCTS**

2701 Industrial Drive  
P.O. Box 90004  
Bowling Green, KY 42102-9004,  
EE.UU.



111695 01

NO ES UN UPC

111695-01  
Rev. B  
07/03

Para obtener más información, visite [www.desatech.com](http://www.desatech.com)