



## Premier Ductable Heaters

**TS350** 350,000 Btuh / 102.6 kW

**TS350DF** 350,000 Btuh / 102.6 kW

LP Vapor Withdrawal or Dual Fuel

View this manual online at [www.lbwhite.com](http://www.lbwhite.com)

### Attention

This heater has been tested and evaluated by the CSA Group in accordance with the requirements of Standard ANSI Z83.7•CSA 2.14 and is listed and approved as a ductable direct gas-fired forced-air construction heater with application for the temporary heating of buildings under construction, alteration, or repair. Additionally, this heater has been application reviewed and approved by the CSA Group for U.S. and Canadian Tent Heating Applications with temporary human occupancy. CHECK WITH YOUR LOCAL FIRE SAFETY AUTHORITY, YOUR LOCAL FUEL GAS SUPPLIER, OR THE L.B. WHITE COMPANY IF YOU HAVE QUESTIONS REGARDING APPLICATIONS.

[www.lbwhite.com](http://www.lbwhite.com)



NORTH AMERICAN MADE



### Congratulations!

You have purchased the finest circulating heater available. Your new L.B. White heater incorporates the benefits from the most experienced manufacturer of heating products using state-of-the-art technology.

We, at L.B. White, thank you for your confidence in our products and welcome any suggestions or comments you may have... contact us at 1-800-345-7200, or email us at [customerservice@lbwhite.com](mailto:customerservice@lbwhite.com).

SEE ASSEMBLY  
INSTRUCTIONS  
INSIDE

**Please refer to important  
elevation information on  
inside cover.**



SCAN THIS

with your smartphone or  
visit <http://goo.gl/5j21G>  
to view maintenance  
videos for L.B. White heaters.\*

\* Requires an app like QR Droid  
for Android or for iPhone

**WORLD PROVIDER - INNOVATIVE HEATING SOLUTIONS**

411 Mason Street, Onalaska, WI 54650 • 800-345-7200 • 608-783-5691 • 608-783-6115 (fax) • [www.lbwhite.com](http://www.lbwhite.com)

## TABLE OF CONTENTS

Heater Specifications .....	4
General Information .....	5
Safety Precautions .....	6
Installation Instructions	
General .....	9
Gas Supply Sizing .....	11
Connecting Hose to Heater .....	12
Connecting Regulator to Gas Supply .....	12
Thermostat .....	13
Installation of Heater .....	14
Inside Structure .....	14
Outside Structure (Using air distribution accessories) .....	14
A. Duct Kit .....	14
B. End Diffuser .....	14
C. Inflatable Duct Kit .....	15
Start-Up Instructions .....	16
Shut-Down Instructions .....	17
Gas Selector Valve (Premier 350 DF Heaters Only) .....	17
Cleaning Instructions .....	18
Maintenance Instructions .....	19
Service Instructions	
General .....	20
Belt Replacement .....	20
Fan and Motor Pulleys .....	21
Drive Component Troubleshooting .....	22
Fan Motor .....	23
Air Proving Switch .....	23
Ignition Control .....	24
Relay .....	24
Transformer .....	24
Igniter Assembly .....	25
Manual Reset High Limit Switches .....	26
Fan Wheel, Bearings, and Shaft .....	27
Burner Orifice and Gas Control Valve .....	27
Gas Pressure Checks .....	28
Troubleshooting Information .....	30
Electrical Connection and Ladder Diagram Premier 350 DF .....	37
Premier 350 Propane Gas .....	38
Heater Component Function .....	39
Parts Identification Parts Schematic .....	40
Parts List .....	41
Warranty Policy, Replacement Parts and Service .....	44

### WARNING

Standard products are manufactured to operate at optimum efficiency at elevations between 0 and 2000 ft. (0-610 m) above sea level.

If operated at higher elevations the product will not function correctly and may function in an unsafe nature.

Products providing proper operation for alternate elevations may be available.

If you require a high elevation product, did not specify when ordering, and/or the box this unit came in does not have an alternate altitude designation sticker please contact technical support.

## GENERAL HAZARD WARNING

- FAILURE TO COMPLY WITH THE PRECAUTIONS AND INSTRUCTIONS PROVIDED WITH THIS HEATER CAN RESULT IN:
  - DEATH
  - SERIOUS BODILY INJURY OR BURNS
  - PROPERTY DAMAGE OR LOSS FROM FIRE OR EXPLOSION
  - ASPHYXIATION DUE TO LACK OF ADEQUATE AIR SUPPLY OR CARBON MONOXIDE POISONING
  - ELECTRICAL SHOCK
- READ THIS OWNER'S MANUAL BEFORE INSTALLING OR USING THIS PRODUCT.
- ONLY PERSONS WHO CAN READ, UNDERSTAND, AND FOLLOW THE INSTRUCTIONS SHOULD USE OR SERVICE THIS HEATER.
- SAVE THIS OWNER'S MANUAL FOR FUTURE USE AND REFERENCE.
- OWNER'S MANUALS AND REPLACEMENT LABELS ARE AVAILABLE AT NO CHARGE. SEE WEBSITE, OR FOR ASSISTANCE, CONTACT L.B. WHITE AT 1-800-345-7200.

## WARNING

- PROPER GAS SUPPLY PRESSURE MUST BE PROVIDED TO THE INLET OF THE HEATER.
- REFER TO DATA PLATE FOR PROPER GAS SUPPLY PRESSURE.
- GAS PRESSURE IN EXCESS OF THE MAXIMUM INLET PRESSURE SPECIFIED AT THE HEATER INLET CAN CAUSE FIRES OR EXPLOSIONS.
- FIRES OR EXPLOSIONS CAN LEAD TO SERIOUS INJURY, DEATH, OR BUILDING DAMAGE.
- GAS PRESSURE BELOW THE MINIMUM INLET PRESSURE SPECIFIED AT THE HEATER INLET MAY CAUSE IMPROPER COMBUSTION.
- IMPROPER COMBUSTION CAN LEAD TO ASPHYXIATION OR CARBON MONOXIDE POISONING AND THEREFORE SERIOUS INJURY OR DEATH.

## WARNING FIRE AND EXPLOSION HAZARD

- NOT FOR HOME OR RECREATIONAL VEHICLE USE.
- INSTALLATION OF THIS HEATER IN A HOME OR RECREATIONAL VEHICLE MAY RESULT IN A FIRE OR EXPLOSION.
- FIRE OR EXPLOSIONS CAN CAUSE PROPERTY DAMAGE OR LOSS OF LIFE.

## WARNING FIRE, BURN, INHALATION, AND EXPLOSION HAZARD

- KEEP SOLID COMBUSTIBLES A SAFE DISTANCE AWAY FROM THE HEATER.
- SOLID COMBUSTIBLES INCLUDE WOOD, PAPER, OR PLASTIC PRODUCTS, BUILDING MATERIALS AND DUST.
- DO NOT USE THE HEATER IN SPACES WHICH CONTAIN OR MAY CONTAIN VOLATILE OR AIRBORNE COMBUSTIBLES.
- VOLATILE OR AIRBORNE COMBUSTIBLES INCLUDE GASOLINE, SOLVENTS, PAINT THINNER, DUST PARTICLES OR UNKNOWN CHEMICALS.
- FAILURE TO FOLLOW THESE INSTRUCTIONS MAY RESULT IN A FIRE OR EXPLOSION.
- FIRE OR EXPLOSIONS CAN LEAD TO PROPERTY DAMAGE, PERSONAL INJURY OR DEATH.

## FOR YOUR SAFETY

Do not store or use gasoline or other flammable vapors and liquids in the vicinity of this or any other appliance.

## FOR YOUR SAFETY

If you smell gas:

1. Open windows.
2. Don't touch electrical switches.
3. Extinguish any open flame.
4. Immediately call your gas supplier.

## WARNING

CALIFORNIA RESIDENTS:

When operating, this heater produces chemicals, including Carbon Monoxide, known to the State of California to cause birth defects and other reproductive harm.

For more information,  
go to [www.P65Warnings.ca.gov](http://www.P65Warnings.ca.gov)

# Specifications

Description		Model		
		TS350DF		TS350
Fuel Type		Propane Gas	Natural Gas	Propane Gas
Maximum Input (Btuh/kW)	MAX	350,000 / 102.6		
	MIN	N/A		175,000 / 51.3
Inlet Gas Supply Pressure Acceptable at the Inlet of the Heater for Purpose of INput Adjustment (Inches W.C./kPa)	MAX	13.5 / 3.36		
	MIN	11.0 / 2.74		
Burner Manifold Pressure (Inches W.C./kPa)	MAX	5.2 / 1.30	5.3 / 1.32	8.0 / 2.0
	MIN	N/A		2.0 / .49
Fuel Consumption Per Hour	MAX	16.2 lbs. / 7.34 kg	350 cu.ft./9.9m <sup>3</sup>	16.2 lbs./7.34 kg
	MIN	N/A		8.12 lbs/3.54 kg
Motor Characteristics		Ball Bearing		
		1 H.P. / 745.7 Watts / 1,725 RPM		
Blower Speed		915 RPM		
Electrical Supply (Volts/Hz/Phase)		115 / 60 / 1		
Amp Draw	Starting	35.0		
	Continuous	11.0		
Dimensions L x W x H (Inches/cm)		48 x 22.25 x 32.75 / 122 x 56.5 x 83.2		
Minimum Safe Distances from Nearest Combustible Material (Feet / Meters)	Top	1 / 0.3		
	Sides	1 / 0.3		
	Back	1 / 0.3		
	Blower Outlet	6 / 1.83		
	Gas Supply	Propane - U.S.: 6, Canada: 3.05 - Natural Gas - N/A		
	Minimum Ambient Temperature Can be Used	-20°F / -29°C		

## General Information

This Owner's Manual includes accessories commonly used on this heater. These accessories must be ordered separately.

When calling for technical service assistance, or for other specific information, **always** have model number, configuration number and serial number available. This information is contained on the dataplate.

This manual will instruct you in the operation and care of your unit. Have your installer review this manual with you so that you fully understand the heater and how it functions.

Contact your local L.B. White distributor or the L.B. White Co., Inc. for assistance, or if you have any questions about the use of the equipment or its application.

The L.B. White Co., Inc. has a policy of continuous product improvement. It reserves the right to change specifications and design without notice.

## Safety Precautions

### WARNING

#### Asphyxiation Hazard

- Do not use this heater for heating human living quarters, garages, workshops, or other such confined spaces.
- Do not use in unventilated areas.
- The flow of combustion and ventilation air must not be obstructed.
- Proper ventilation air must be provided to support the combustion air requirements of the heater being used.
- Lack of proper ventilation air will lead to improper combustion.
- Improper combustion can lead to carbon monoxide poisoning leading to serious injury or death. Symptoms of carbon monoxide poisoning can include headaches, dizziness and difficulty in breathing.
- Proper ventilation air for combustion must be provided in accordance with OSHA 29 CFR 1926.154, Temporary Heating Devices, ANSI A10.10, Safety Requirements for Temporary and Portable Space Heating Devices, or the Natural Gas and Propane Installation Code, CAN/CSA B149.1 as appropriate.

## Fuel Gas Odor

Propane gas and natural gas have man-made odorants added specifically for detection of fuel gas leaks. If a gas leak occurs, you should be able to smell the fuel gas. THAT'S YOUR SIGNAL TO GO INTO IMMEDIATE ACTION!

- Do not take any action that could ignite the fuel gas. Do not operate any electrical switches. Do not pull any power supply or extension cords. Do not light matches or any other source of flame. Do not use your telephone.
- Get everyone out of the building and away from the area immediately.
- Close all fuel supply valves.
- Propane gas is heavier than air and may settle in low areas. When you have reason to suspect a propane leak, keep out of all low areas.
- Use your neighbor's phone and call your fuel gas supplier and your fire department. Do not re-enter the building or area.
- Stay out of the building and away from the area until declared safe by the firefighters and your fuel gas supplier.
- FINALLY, let the fuel gas service person and the firefighters check for escaped gas. Have them air out the building and area before you return. Properly trained service people must repair the leak, check for further leakages, and then relight the heater for you.

## Odor Fading - No Odor Detected

- Some people cannot smell well. Some people cannot smell the odor of the man-made chemical added to propane or natural gas. You must determine if you can smell the odorant in these fuel gases.
- Learn to recognize the odor of propane gas and natural gas. Local propane gas dealers and your local natural gas supplier (utility) will be more than happy to give you a "scratch and sniff" pamphlet. Use it to become familiar with the fuel gas odor.
- Smoking can decrease your ability to smell. Being around an odor for a period of time can affect your sensitivity to that particular odor.
- The odorant in propane gas and natural gas is colorless and the intensity of its odor can fade under some circumstances.
- If there is an underground leak, the movement of gas through the soil can filter the odorant.
- Propane gas odor may differ in intensity at different levels. Since propane gas is heavier than air, there may be more odor at lower levels.
- Always be sensitive to the slightest gas odor. If you continue to detect any gas odor, no matter how small, treat it as a serious leak. Immediately go into action as discussed previously.

## Attention - Critical Points to Remember!

- Propane gas has a distinctive odor. Learn to recognize these odors. (Reference Fuel Gas Odor and Odor Fading sections above).
- If you have not been properly trained in repair and service
- Even if you are not properly trained in the service and repair of the heater, ALWAYS be consciously aware of the odors of propane gas and natural gas.

A periodic sniff test around the heater or at the heater's joints; i.e. hose, connections, etc., is a good safety practice under any conditions. If you smell even a small amount of gas, CONTACT YOUR FUEL GAS SUPPLIER IMMEDIATELY. DO NOT WAIT!

1. Do not attempt to install, repair, or service this heater or the gas supply line unless you have continuing expert training and knowledge of gas heaters.

### QUALIFICATIONS FOR SERVICING AND INSTALLATION:

- a. To be a qualified gas heater service person, you must have sufficient training and experience to handle all aspects of gas-fired heater installation, service and repair. This includes the task of installation, troubleshooting, replacement of defective parts and testing of the heater. You must be able to place the heater into a continuing safe and normal operating condition. You must completely familiarize yourself with each model heater by reading and complying with the safety instructions, labels, Owner's Manual, etc., that is provided with each heater.
- b. To be a qualified gas installation person, you must have sufficient training and experience to handle all aspects of installing, repairing and altering gas lines, including selecting and installing the proper equipment, and selecting proper pipe and tank size to be used. This must be done in accordance with all local, state and national codes as well as the manufacturer's requirements.
- c. In the Commonwealth of Massachusetts, this product must be installed by a gas fitter licensed in the Commonwealth of Massachusetts.

2. All installations and applications of L.B. White heaters must meet all relevant local, state and national codes. Included are L.P. gas, natural gas, electrical, and safety codes. Your local fuel gas supplier, a local licensed electrician, the local fire department or similar government agencies, or your insurance agent can help you determine code requirements.

Refer to the following:

### U.S. Installations:

- ANSI/NFPA 58, latest edition, Standard for Storage and Handling of Liquefied Petroleum Gas and/or
- ANSI Z223.1/NFPA 54, National Fuel Gas Code
- ANSI/NFPA 70, National Electrical Code.

### Canadian Installations:

- CSA B149.1 Natural Gas and Propane Gas Installation Code.
- CSA C22.1 Part 1 Standard Canadian Electrical Code, and CSA C22.2 No.3, Electrical Features of Fuel Burning Equipment.

3. We cannot anticipate every use which maybe made of our heaters. Other standards govern the use of fuel gases and heat producing products in specific applications. Your local authority can advise you about these. Check with the local fire safety authority if you have questions about applications.
4. Do not wash the interior of the heater. Use only compressed air, a soft brush or dry cloth to clean the interior of the heater and it's components.
5. For safety, this heater is equipped with manual reset high limit switches, an air-proving switch and a redundant gas control valve. Never operate the heater with any safety device that has been bypassed. Do not operate this heater unless all of these features are fully functioning.
6. Do not locate fuel gas containers or fuel supply hoses within 20 ft./6.10 meters of the blower outlet of the heater.
7. Do not block air intakes or discharge outlets of the heater. Doing so may cause improper combustion or damage to heater components leading to property damage.

8. The hose assembly shall be visually inspected on a daily basis after heater relocation and when the heater is in use. If it is evident there is excessive abrasion or wear, or if the hose is cut, it must be replaced prior to the heater being put into operation. The hose assembly shall be protected from building materials, and contact with hot surfaces during use. The replacement hose assembly shall be that specified by the manufacturer. See parts list.
9. Premier 350DF heaters are equipped with a gas selector valve. The selector valve must be properly positioned for the gas supplied to the heater. Further information on this feature is provided on page 17 of this manual.
10. Check for gas leaks and proper function upon heater installation, when relocating, and after servicing. Refer to leak check instructions within installation section of this manual.
11. This heater shall be inspected for proper operation by a qualified service person before each use and at least annually.
12. Always turn off the gas supply to the heater if the heater is not going to be used in the heating of the work space.
13. This heater is equipped with a three-prong (grounding) plug for your protection against shock hazard and must be plugged directly into a properly grounded three-prong receptacle. Failure to use a properly grounded receptacle can result in electrical shock, personal injury, or death.
14. If gas flow is interrupted and flame goes out, do not relight the heater until you are sure that all gas that may have accumulated has cleared away. In any event, do not relight the heater for at least 5 minutes.
15. The heater requires a minimum 500 gallon/1892 litre propane tank for proper gas supply pressure and operation. A larger tank may be required depending upon operating conditions at the site.
16. When the heater is to be stored indoors, the connection between the propane gas supply cylinder(s) and the heater must be disconnected and the cylinder(s) removed from the heater and stored in accordance with the Standard for the Storage and Handling of Liquefied Petroleum Gases, ANSI/NFPA 58 or Standard CSA B149.1 Natural Gas and Propane Installation Code as appropriate.
17. Propane gas supply containers have left handed threads. Always use the appropriate wrench to make a connection to tighten or loosen the pigtail connector's P.O.L. fitting at the container's gas supply valve.



## General Installation Instructions



### WARNING

#### Burn Hazard

Can cause property damage, severe injury or death.

1. To avoid dangerous accumulation of fuel gas, turn off gas supply at the appliance service valve before starting installation, and perform gas leak test after completion of installation.
2. Do not force the gas control knob. Use only your hand to turn the gas control knob. Never use any tools. If the knob will not operate by hand, the control should be replaced by a qualified service technician. Force or attempted repair may result in fire or explosion.

1. Read all safety precautions and follow L. B. White recommendations when installing this heater. If during the installation or relocating of heater, you suspect that a part is damaged or defective, call a qualified service agency for repair or replacement.
2. Make sure the heater is level (use a level) and properly positioned before use. Observe and obey all minimum safe distances of the heater to the nearest combustible materials. Safe distances are given on the heater dataplate and on page 4 of this manual.
3. This heater may be installed either indoors or outdoors. For outdoor installations, only the following air distribution devices may be used:

- 18 in./43.7 cm Dia. x 12 ft./3.66 m Duct: Part #22835
- End Diffuser: Part #23189

DO NOT USE ANY OTHER LENGTH OF DUCT-WORK OR FIELD FABRICATED DUCT, TARPS, STOVE PIPE, ETC. ON THIS HEATER.

- When using the ducting, ensure that bends in duct are kept to a minimum. A maximum of two 90° bends is allowed.
  - Reducing the number of bends will ensure that the warm air exiting the heater flows freely, thereby preventing overheating. If there are excessive bends, the high limit switches may open.
4. The heater's gas pressure regulator (with pressure relief valve) must be protected from adverse weather conditions (rain, ice, snow) as well as from

building materials (tar, concrete, plaster, etc.) which can affect safe operation and could result in property damage or injury.

5. Heaters used in the vicinity of combustible tarpaulins, canvas, plastics, wind barriers, or similar coverings shall be located at least 10 ft./3.05 meters from the coverings. The coverings shall be securely fastened to prevent ignition or upsetting of the heater due to wind action on the covering or other material.
6. Check all connections for gas leaks using approved gas leak detectors. Gas leak testing is performed as follows:

- Check all pipe connections, hose connections, fittings and adapters upstream of the gas control with approved gas leak detectors.



### WARNING

#### Fire and Explosion Hazard

- Do not use open flame (matches, torches, candles, etc.) in checking for gas leaks.
- Use only approved leak detectors.
- Failure to follow this warning can lead to fires or explosions.
- Fires or explosions can lead to property damage, personal injury or loss of life.

- In the event a gas leak is detected, check the components involved for cleanliness and proper application of pipe compound before further tightening.

- Furthermore, tighten the gas connections as necessary to stop the leak.

- After all connections are checked and any leaks are stopped, turn on the main burner.

- Stand clear while the main burner ignites to prevent injury caused from hidden leaks that could cause flashback.

- With the main burner in operation, check all connections, hose connections, fittings and joints as well as the gas control valve inlet and outlet connections with approved gas leak detectors.

- If a leak is detected, check the components involved for cleanliness in the thread areas and proper application of pipe compound before further tightening.
  - Tighten the gas connection as necessary to stop the leak.
  - If necessary, replace the parts or components involved if the leak cannot be stopped.
  - Ensure all gas leaks have been identified and repaired before proceeding.
7. A qualified service agency must check for proper operating gas pressure upon installation of the heater.
  8. Light according to instructions on heater or within owner's manual.
  9. Make sure the heater has the proper gas regulator for the application. A regulator must be connected to the gas supply so that gas pressure at the inlet to the gas valve is regulated within the range specified on the dataplate at all times.

**Premier 350DF heaters:** The regulator supplied with the heater is suitable for use with propane gas or natural gas.

**Premier 350 Propane Gas heaters:** The regulator supplied with these heaters is designed for use specifically for the fuel being used.

Contact your gas supplier, or the L.B. White Co., Inc. if you have any questions.

10. This heater is configured for use for L.P. gas vapor withdrawal. Do not use the heater in an L.P. gas liquid withdrawal system or application. If you are in doubt, contact the L.B. White Co., Inc.
11. The heater must be installed so as not to interfere with or obstruct normal exits, emergency exits, doors and walkways.
12. Railing, fencing or suitable substitute materials must be used to keep the heating equipment from any people using and visiting the structure.
13. The heater shall be located so that rain, ice, or snow drainage from the structure does not affect equipment operation. If the heater is mounted outside, it must be mounted above any pooled or

standing water. If the unit is to be located on the ground, a surrounding trench is recommended to drain any rain, ice or snow away from the unit.

14. The ground and surrounding terrain must be cleared of any combustible vegetation and other combustible materials when the heater is utilized outside.
15. Eventually, like all electrical/mechanical devices, the thermostat can fail. Thermostat failure may result in an underheating condition. The thermostat should be tested to make sure it turns the heater on and off within a temperature differential of  $\pm 3^{\circ}\text{F}$  ( $\pm 1.5^{\circ}\text{C}$ ).
16. Take time to understand how to operate and maintain the heater by using this Owner's Manual. Make sure you know how to shut off the gas supply to the building and also to the individual heater. Contact your fuel gas supplier if you have any questions.
17. Any defects found in performing any of the service or maintenance procedures must be eliminated and defective parts replaced immediately. The heater must be retested by properly qualified service personnel before placing the heater back into use.

## Gas Supply Sizing

The vaporization of propane is affected by several factors: the surface area of the container, the liquid level of propane, temperature surrounding the container, and the relative humidity. All of these factors are specific to a site. Therefore, a degree of experience and judgement is required to select the proper propane supply.

Although experience is the best guide, the following recommendations can be used as a starting point. The table is based on experience in northern climates where cold weather and high humidity are prevalent in the winter. If more or less favorable conditions prevail at a specific site, adjustments can be made on the basis of experience.

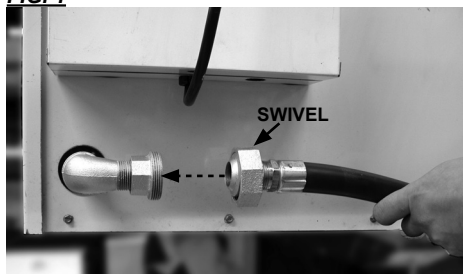
<b>Recommended Gas Supply</b>	
<b>TANK SIZE</b>	<b>HEATERS / TANK</b>
500 gall. / 1892 litre	1
1000 gall. / 3784 litre	2

If more than one gas supply container is used per heater, the containers must be manifolded together to allow vapor withdrawal simultaneously from multiple containers. Manifold system shall be in accordance with NFPA 58 or CSA B149.1.

## Connecting Hose to Heater

1. Thread swivel onto connector at gas inlet of heater. See Fig. 1. Tighten securely.
2. The hose may be coiled up and hung on the hose hanger, with the regulator stored within the regulator storage bracket.

**FIG. 1**



## Connecting Regulator to Gas Supply

### WHEN USING PROPANE GAS:

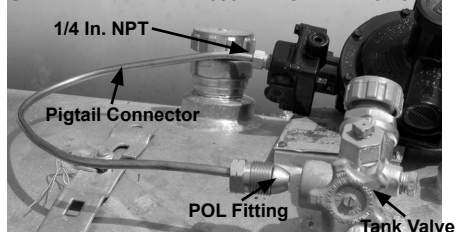
1. Lift the tank's cover.
2. Assemble the gas components as shown, depending on heater type. Tighten connections securely. See Fig. 2 for Premier 350DF heaters, and Fig. 3 for Standard Premier 350 LP heaters.

**FIG. 2**



**FIG. 3**

### STANDARD PREMIER 350 LP CONNECTIONS



3. Form the connector to ensure the regulator will be supported by the tank, and the tank valve cover will protect the regulator from weather conditions.
4. Thread connector's POL fitting counter-clockwise into the tank valve. Tighten securely. See Fig. 2 or Fig. 3.
5. Open the tank valve.
6. Check all connections with an approved leak detector. Close the tank's cover.
7. When storing or transporting the heater, ensure the connector's fitting is protected from damage and dirt entry.

### WHEN USING NATURAL GAS:

- The regulator only should be used if the gas supply pressure to the heater is above the maximum inlet pressure stated on the heater's dataplate.
- Connect the regulator as supplied with the heater to the natural gas supply line, using the appropriate connections. (DO NOT USE THE POL/PIGTAIL FOR NATURAL GAS INSTALLATIONS)
- **Gas supply pressure to the regulator must be a minimum of 2 PSI/13.7 kPa.**
- **The regulator supplied with Premier 350 DF heater is also for use with natural gas.**

# Thermostat

The remote thermostat that ships with this heater is factory wired into the control circuit.

## **Premier 350 DF heaters:**

The thermostat is a single stage design. When there is a call for heat from the thermostat, the thermostat cycles the heater to full heat output.

## **Premier 350 Propane Gas heaters:**

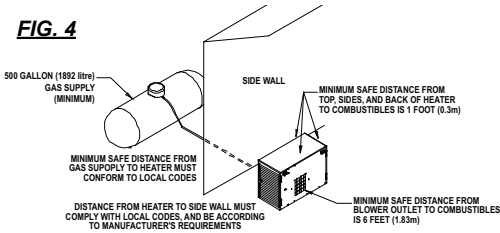
The thermostat is a two stage device and is designed to cover a broad range of heating requirements.

The two stage thermostat allows the heater to fill an application where a single high heat rate is undesirable. The two stage thermostat will allow the heater to operate and cycle at a low heat condition when the heating load is less severe, or it will cycle to highest heat as demand is increased.

# Installation of Heater

## Inside of Structure

**FIG. 4**



## Outside of Structure

(Air distribution accessories - not supplied with heater)

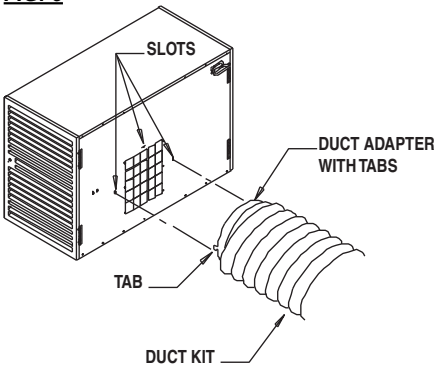
### A. Flex Duct Kit

Part Number: 22835 (18 in. x 12 ft. / 46 cm x 3.65 m)

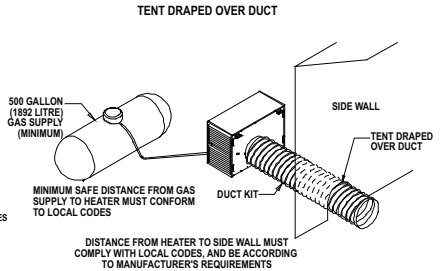
1. Extend duct kit to 12 feet/3.6 meter length.
2. Mount duct to blower outlet of heater by inserting tabs on duct adapter into vertical and horizontal slots located at top and sides of blower outlet. See Fig. 5. Push down on duct adapter to secure adapter into slots. See below for typical installation of heater located at exterior.

When using 12 ft. / 3.65m flex ducts, the maximum number of flex ducts to use per heater is 3. See Fig. 6 for typical installation.

**FIG. 5**



**FIG. 6**

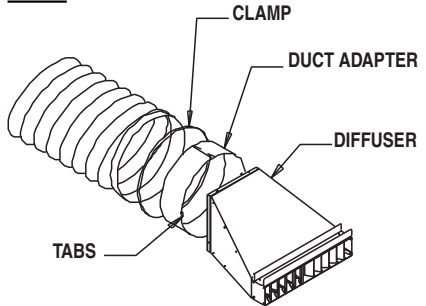


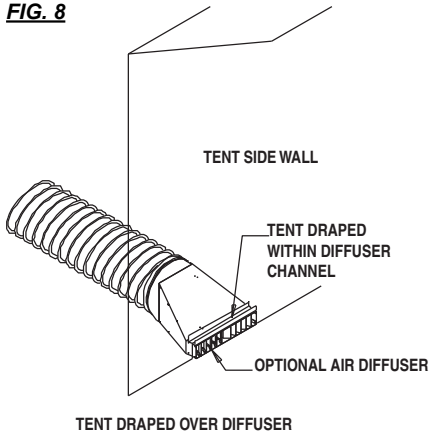
### B. End Diffuser

Part Number: 23189

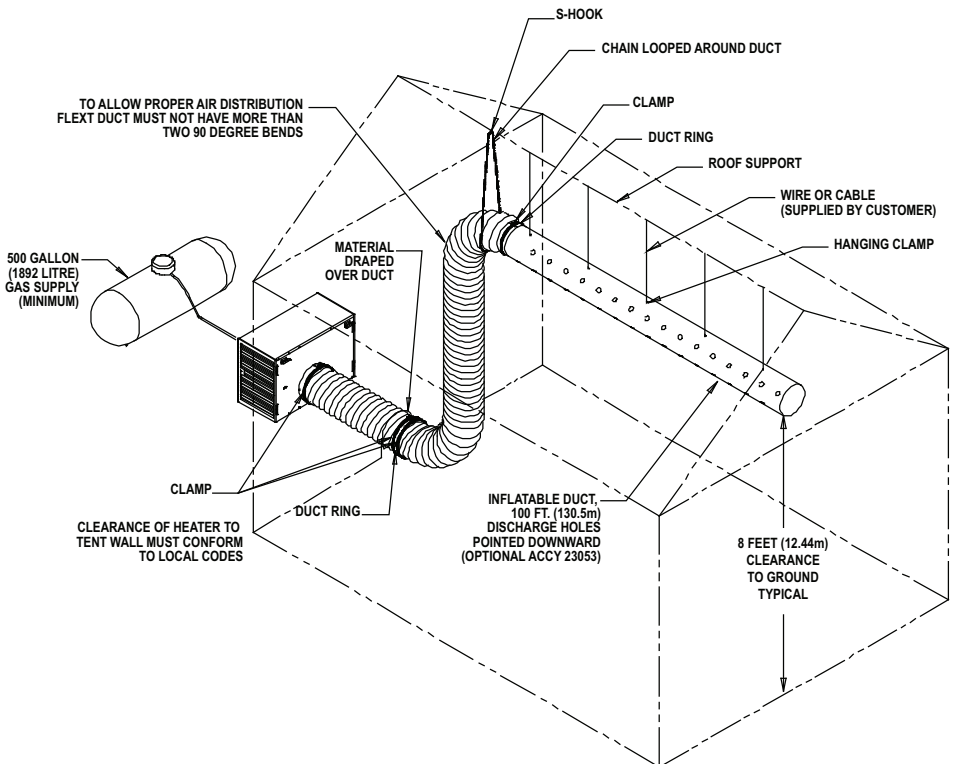
1. Loosen screw on duct clamp so clamp is easily positioned over ribs at end of flexible duct.
2. Slide duct adapter into duct end. Duct adapter tabs must be facing away from duct and are located at 3, 9 and 12 o'clock positions. See Fig. 7.
3. Tighten screw clamp so adapter is held securely within duct.
4. Insert tabs of adapter into slots on air diffuser back.
5. Push down on adapter so tabs are seated firmly to air diffuser.
6. Locate diffuser under side wall. See Fig. 8.

**FIG. 7**



**FIG. 8****C. Inflatable Ducting**

Use only 2 flex ducts when also using inflatable duct.

**FIG. 9**

## Start-Up Instructions

For initial start-up after heater installation, follow steps 1-5. For normal start-up, set the thermostat above room temperature.

1. Connect electrical cord to an approved electrical outlet.
2. Set thermostat to desired room temperature.
3. A selector switch is located on the back of the heater. This switch allows you to either heat or ventilate (no heat). See Fig. 10 for selector switch positions.

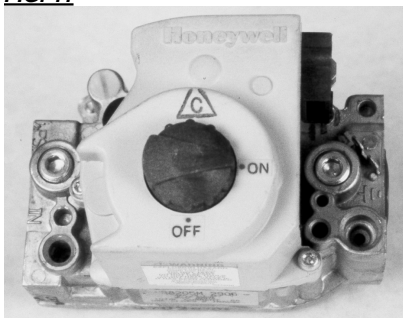
**FIG. 10**



### A. Heating Mode Operation

- a. Open all manual fuel supply valves. Check for gas leaks using an approved leak detector. Regardless of model purchased, the gas control valve in the heater has a manual shut-off feature incorporated into the valve assembly. Ensure the indicator is turned to the on position. See Fig 11, Premier 35DF valve shown.


**FIG. 11**



- b. Position the selector switch to heat. 

See Fig. 10. A red light within the switch will come on. The fan motor will start, the igniter will spark and ignition will occur. The thermostat will cycle the heater on or off based upon temperature setting.

### B. Ventilation Mode Operation

When the selector switch is positioned to vent,  the red light will NOT be on. The fan motor will start, but the igniter will not spark, nor will ignition occur. This feature is used only when air circulation is required. The heater will not cycle on its thermostat setting. To discontinue the ventilation feature, position the switch to off or heat.

### C. Off

Position the switch to midpoint. 

### ATTENTION

- It is normal for air to be trapped in gas hose on new installations. The heater may attempt more than one trial for ignition before air is finally purged from line and ignition takes place.
4. The direct spark ignition (DSI) control board within this heater is self-diagnostic. The board works in conjunction with a light emitting diode (L.E.D.) built into the selector switch. The L.E.D. will flash a specific continuous flash pattern depending on a problem that occurs. Match specific flash pattern given by L.E.D. to troubleshooting label applied to inside of burner cap access panel of the heater. The troubleshooting label identifies the causes of the problem as it relates to specific flash pattern and remedies to correct the problem. See also "Troubleshooting Data" within this Owner's Manual.
  5. Gas Control Valve

#### Premier 350 DF Heaters:

The gas control is a single stage design. When the valve opens, it delivers full heat output.

#### Premier 350 Propane Gas Heaters:

The gas control valve is a step opening design. When a call for heat occurs, the valve will open to a rate equal to half its total heat output. Depend-



ing upon temperature requirements and thermostat setting, the valve will then either remain at low heat rate before the thermostat is satisfied, or the valve will open completely to its total capacity.

- Do not exceed input rating stamped on nameplate or manufacturer's recommended burner orifice pressure for size orifice(s) used. Make certain that the primary air supply to main burner is open and free of dust, dirt and debris for complete, proper combustion.

## Shut-Down Instructions

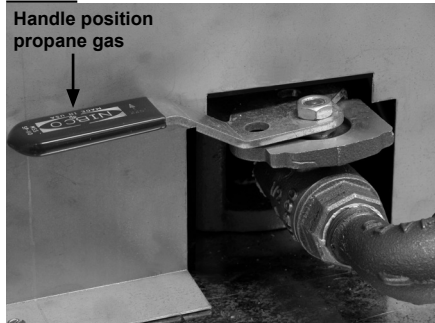
If the heater is to be shut down for cleaning, maintenance, or repair, follow steps 1-5. Otherwise, set the thermostat to below room temperature for standard shut-down. **Do not shut the heater off by the selector switch. Doing so will remove power to the heater, preventing cooling of heat chamber. The burner end high limit switch will trip.**

- Close the gas supply valve.
- Allow the heater to burn off any fuel gas remaining in the gas supply line.
- Set the thermostat below room temperature. **When the thermostat cycles the burner off, the fan motor will continue to run for 1 minute, allowing the heat chamber to cool. After 1 minute, the fan motor will shut off.**
- Position selector switch to off O
- Disconnect the heater from its gas and electrical supplies.

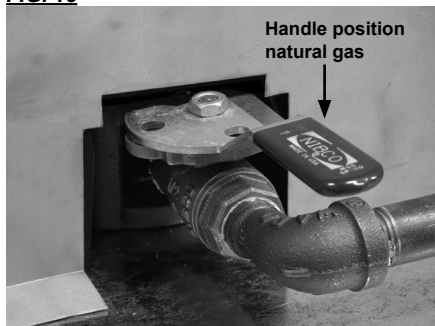
## Gas Selector Valve Premier 350 DF Only

- This feature allows the heater to operate on either propane or natural gas without changing out the burner orifice. The gas selector valve is located between the gas control valve and the burner. Gas selection is made by repositioning the valve's handle. **THIS IS NOT A MANUAL GAS SHUT OFF VALVE.**
- Refer to Figs. 12 and 13. The valve handle must be properly positioned for the specific gas being used, otherwise the unit will overheat or underheat.

**FIG. 12**



**FIG. 13**



- The handle must be fully set at 90 degrees to gas flow (propane gas) or parallel to gas flow (natural gas) for proper operation. Do not operate the heater with the valve handle set between either position, otherwise improper operation will occur.
- The valve's handle can be locked to prevent improper positioning. Use the holes provided on the valve's body and handle. See Fig. 14.

**FIG. 14**



## Cleaning Instructions



### WARNING

#### Fire, Burn, and Explosion Hazard

- This heater contains electrical and mechanical components in the gas management, safety and airflow systems.
- Such components may become inoperative or fail due to dust, dirt, wear, aging, or the corrosive atmosphere of an animal confinement building.
- Periodic cleaning and inspection as well as proper maintenance are essential to avoid serious injury or property damage.

1. Before cleaning, shut off all gas supply valves and disconnect the electrical supply.
2. The heater should have dirt or dust removed periodically:
  - a. Before each use give the heater a general cleaning using compressed air or a soft brush or dry rag on its case and internal components. At this time, dust off the motor case to prevent the motor from overheating.
  - b. At least once a year, give the heater a thorough cleaning. At this time, remove the fan and motor assembly and brush or blow off the fan blade assembly. Additionally, make sure the burner air inlet venturi ports and the casting are free of dust accumulation.



### WARNING

Do not use a pressure washer, water, or liquid cleaning solution on any gas controls. Use of a pressure washer, water, or liquid cleaning solution on the control components can cause severe personal injury or property damage due to water and/or liquids:

- In electrical components, and wires causing electrical shock or equipment failure.
- On gas control valves causing corrosion which can result in gas leaks and fire or explosion from the leak.

Clean all components of the heater with pressurized air, a dry brush, or a dry cloth.

# Maintenance Instructions

## BEFORE EACH USE:

- Check the area surrounding the heater to ensure it is clear and free of combustible materials, gasoline, and other flammable vapors and liquids.
- Have your gas supplier check all gas connections for leaks or restrictions in gas lines.
- Inspect the regulator vent to make sure the regulator vent is not blocked. Debris, insects, insect nests, snow, or ice on a regulator can block vents and cause excess pressure at the heater.
- Check all wiring associated terminals and electrical components within the heater for corrosion, frayed or cut insulation, tight connections, etc. Repair or replace as necessary.
- Check the hose assembly after heater installation, relocation and when the heater is in use. If it is evident there is excessive abrasion or wear, or if the hose is cut, it must be replaced prior to the heater being put back into operation
- Check the heater's fan drive belt. Make sure the belt is not cracked. If so, replace it. Additionally, ensure the belt is not slipping, that belt tension is proper, and sheaves are properly aligned and not worn.
- Review all heater markings (i.e. wiring diagram, warnings, start-up, shut-down, troubleshooting, etc.) at the time of maintenance for legibility. Make sure none are cut, torn, or otherwise damaged. Any damaged markings must be replaced immediately by contacting the L.B. White Co., Inc. Data plate, startup and shut-down instructions and warnings are available at no cost.

## MONTHLY

- Lubricate the bearings once a month. Use NLGI grade 2 mineral oil lithium or lithium base grease.

## ANNUALLY:

- Clean and check the igniter for cracks. Replace if necessary.
- Regulators can wear out and function improperly. Have your gas supplier check the date codes on all regulators installed and check delivery pressures to the heater to make sure that the regulator is reliable.
- Test both manual reset high limit heat switches to ensure proper operation. (See Testing instructions for same in this owner's manual.)

## Service Instructions

### **WARNING** Burn Hazard

- Heater surfaces are hot for a period of time after the heater has been shut down.
- Allow the heater to cool before performing service, maintenance, or cleaning.
- Failure to follow this warning will result in burns causing injury.

### **WARNING** Fire and Explosion Hazard

- Do not disassemble or attempt to repair any heater components or gas train components such as gas valves, or gas hoses.
- All component parts must be replaced if defects are found.
- Failure to follow this warning will result in fire or explosions, causing property damage, injury, or death.

1. Close the fuel supply valve to the heater and disconnect the electrical supply before servicing unless necessary for your service procedure.
2. Clean the heater's orifice with compressed air or a soft, dry rag. Do not use files, drills, broaches, etc. to clean the orifice hole. Doing so will enlarge the hole, causing combustion or ignition problems. Replace the orifice if it cannot be cleaned properly.
3. The high limit switches, heat/vent switch and thermostat can be tested by disconnecting the leads at the component and jumpering the leads together.
  - Reconnect the electrical supply and open fuel supply valves.
  - If the heater lights, the component is defective and must be replaced.
  - Do not leave the jumper on or operate the heater if the part is defective. Replace the part immediately.
  - An alternate method for checking the components is to perform a continuity check..
4. The air proving switch must not be jumpered. If jumpered, the ignition control will not allow heater operation. Test the air proving switch for continuity. If defective, replace the switch

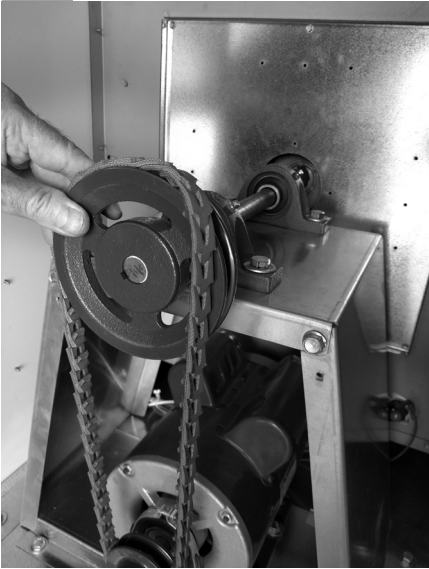
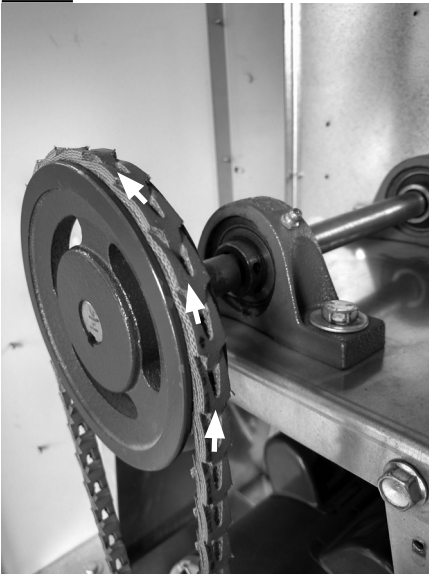
5. Open the respective case panel for access to burner or fan related components.
6. For reassembly, reverse the respective service procedure. Ensure gas connections are tightened securely.
7. After servicing, start the heater to ensure proper operation and check for gas leaks.
8. If pulley or fan keys are lost during service, replacements are made by using 3/16 in. (4.7 mm.) square x 1 in. (2.54 cm) bar stock. Otherwise, order Part #22955.

## Belt Replacement

1. Remove the belt guard from the heater. See Fig. 15.
2. Rotate the fan pulley CW while carefully lifting the belt so it clears the fan pulley groove. See Fig. 16.
3. Check the fan and motor pulleys for dirt. Clean the pulleys if needed.
4. When reinstalling the belt, ensure the arrows are directed CCW. See Fig. 17.

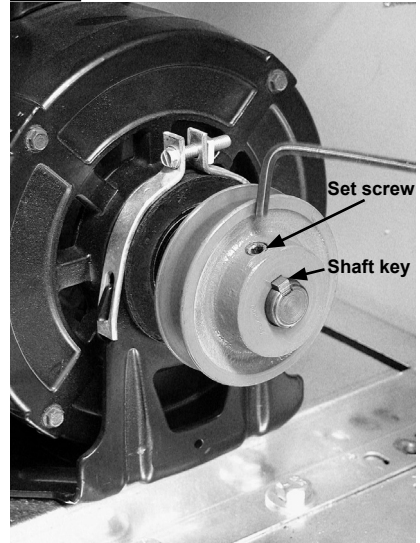
**FIG. 15**



**FIG. 16****FIG. 17**

## Fan and Motor Pulley

1. Remove belt guard from heater.
2. Remove belt from pulleys. See Belt Replacement.
3. Loosen set screw on fan and motor pulleys with a 9/64 in. allen wrench. See Fig. 18.
4. Remove pulleys and keys from fan shaft and motor.

**FIG. 18**

## Fan Drive Components Troubleshooting

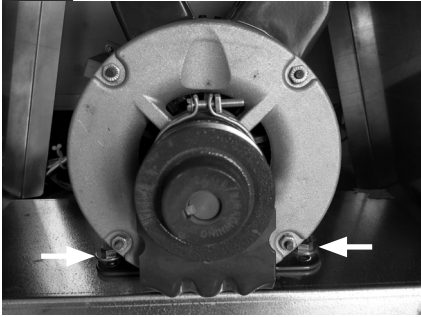
Refer to the following table to identify basic problems, causes and cures associated with V-Belt drive systems.

<b><u>PROBLEM</u></b>	<b><u>CAUSE</u></b>	<b><u>CURE</u></b>
<b>Belt Slips</b>	Pulleys worn (Belts bottoming out in grooves)	Replace pulleys
	Oil or grease on belt	Clean pulleys or belt.
<b>Belt Breaks</b>	Improper belt installation	Belt pried over pulleys using sharp or pointed tools. Install new belt properly.
<b>Belt Jumps Pulley Grooves</b>	Drive misaligned	Check and realign
	Dirt entering pulley	Remove belt, clean the pulleys
	Belt hitting belt guard	Realign guard (check for loose or missing guard screws)
<b>Belt Cracking</b>	Dirt or grease on belt or aged belt	Remove dirt or replace belt.
<b>Belt Wearing Rapidly</b>	Belt hitting belt guard	Realign guard (check for loose or missing guard screws)
	Worn pulleys	Replace pulley
	Dirt in pulleys	Remove dirt

## Fan Motor

1. Remove the belt guard.
2. Remove the fan belt.
3. Remove the four bolts and washers from the motor mount flanges. See Fig. 19.

**FIG. 19**



4. Open the electrical access panel on the motor and disconnect the motor wiring. See Fig. 20.

**FIG. 20**

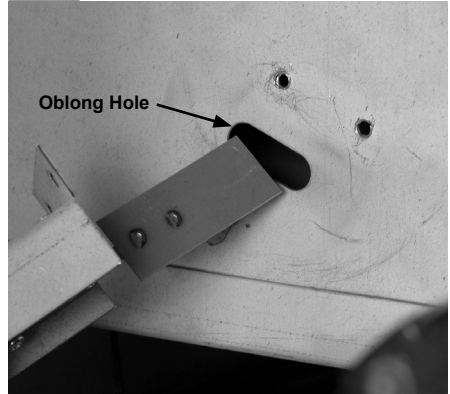


5. Remove the motor pulley from the motor shaft.
  - When reinstalling the motor, ensure the motor pulley is flush to the shaft end of the motor.

## Air Proving Switch

1. The air proving switch is located on the the side panel of the fan housing, adjacent to the fan motor, inside the louvered door end of the heater.
2. Remove the screws that secure the switch bracket to the fan housing panel and turn switch assembly so the paddle on the switch arm can be pulled through oblong hole on side of fan housing. See Fig. 21.
3. Disconnect the leads from the air proving switch.

**FIG. 21**



If the air proving switch contacts are closed on a call for heat before the fan motor starts, or do not close after the fan motor starts, the igniter will not spark nor will the gas valve open.

## Ignition Control

The control sends and receives voltages to operate or verify operation of components. Refer to the following and Fig. 22 to understand the ignition control's terminal designators if doing voltage checks on the control.

**L1:** Main power supply voltage to control.

**IND:** Main power supply voltage from control to motor.

**LED:** Wire connection to red light of selector switch.

**MV:** 24 VAC from ignition control through both high limit switches to gas control valve.

**PS2:** 24 VAC return from air proving switch back to ignition control.

**PS1:** 24 VAC from ignition control to air proving switch.

**W:** 24 VAC return from thermostat to ignition control

**FS:** No terminal.

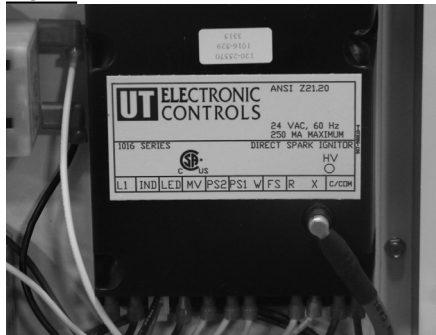
**R:** 24 VAC from ignition controller to thermostat.

**X:** 24 VAC from transformer to ignition controller (without 24 VAC the controller will not function).

**C/COM:** Earth ground for transformer and ignition control.

Also refer to "Operation Sequence" within this manual as needed to understand operation of the ignition control during a call for heat.

**FIG. 22**



## Relay

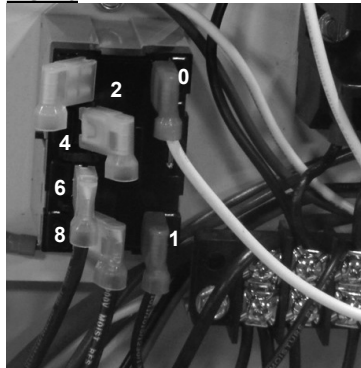
The relay is responsible for supply of power to the motor. Numbers adjacent to its male terminals for reference of voltage received and supplied for troubleshooting. Refer to Fig. 23 and the following table for connection of wiring and voltage checks.

### Terminal Function

Terminal	Function
2	Not used.
4	Not used.
6	115 VAC from relay to start fan motor
8	115 volts to relay from power supply
0	Neutral for relay
1	115 VAC from ignition controller (IND) to relay for coil closure

If the relay is receiving 115 volts at terminal 8 from the the power supply, along with 115 volts from the ignition control at terminal 1, but voltage is not supplied to the motor from terminal 6, the relay is defective.

**FIG. 23**

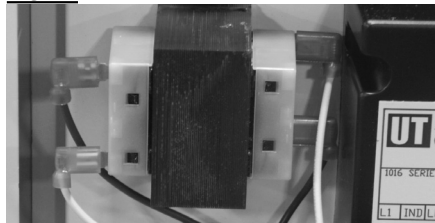


## Transformer

The transformer reduces main power supply voltage FIG. 24 to 24 VAC for operation of the the ignition control.

Without 24 VAC from the transformer, the ignition control will not function, nor will the heater operate.

**FIG. 24**

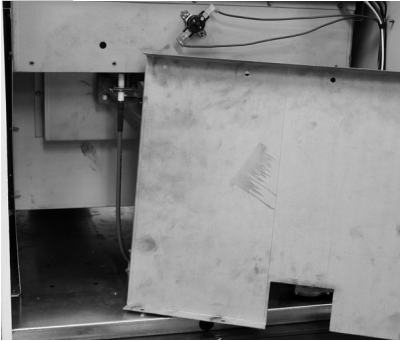




## Igniter Assembly

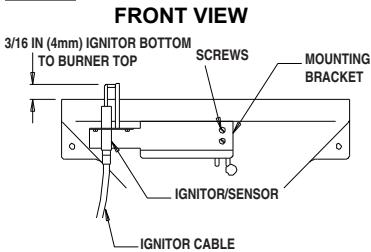
1. Remove burner access panel. See Fig. 25.

**FIG. 25**

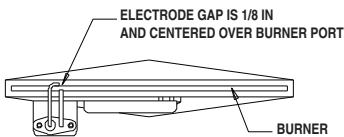


2. The igniter assembly is located at the top of the burner casting. Remove the two screws securing the mounting bracket to the burner. See Fig. 26.

**FIG. 26**

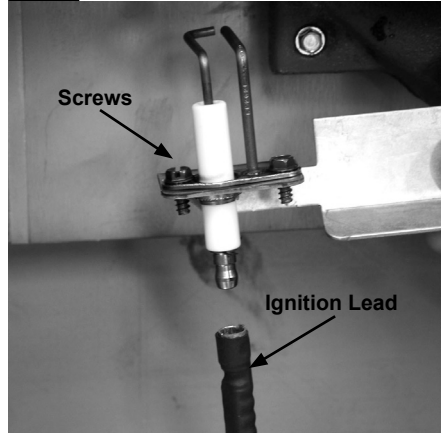


### TOP VIEW



3. Disconnect high voltage ignition lead. Remove the screws. See Fig. 27.

**FIG. 27**



The igniter and ground rod should be cleaned during routine maintenance to maintain proper ignition.

- Use steel wool or emery cloth.
- Rub briskly to remove buildup of dust, dirt, and oxide.

■ Check the igniter's ceramic base for cracks.

- Replace the igniter if cracks are found.

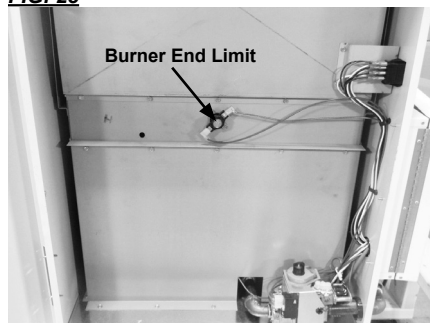
## Manual Reset High Limit Switches

### **WARNING** Burn Hazard

- Do not operate the heater with the high limit switch bypassed.
- Operating the heater bypassed high limit switch may lead to overheating, possibly resulting in a fire, with subsequent damage to the heater or property damage.

This heater has two high limit switches. One is located at the burner end of the heater on the heat chamber. See Fig. 28. The other is located on the fan housing behind the fan motor. See Fig. 29.

**FIG. 28**



**FIG. 29**



Their purpose is to safely shut the heater down if the heater should overheat.

**Burner end limit:** Protects the burner and associated wiring from overheating caused by excessive gas pressure.

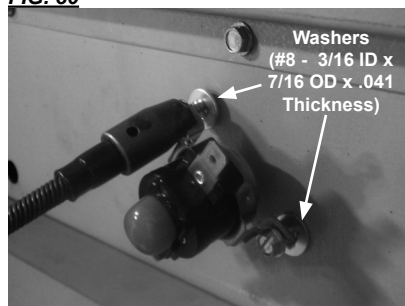
**Motor end limit:** Protects from overheating if the duct is kinked or restricted, or if the air inlet is blocked.

The switches are wired in series and will disconnect power to the gas control valve if either senses an overheat condition.

Both high limit switches should be tested a minimum of once per year when the heater is given a thorough cleaning.

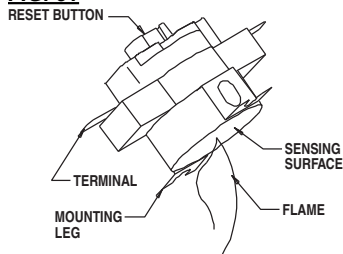
1. Remove the high limit switches from the heater. Also remove the red cap from both switches. The burner end limit switch has a washer located between each leg of the limit switch and the heat chamber. The washers act as spacers and prevent the switch from tripping prematurely. Both must be reinstalled after conducting this test. See Fig. 30.

**FIG. 30**



2. Holding a switch by one of its mounting legs, apply a small flame only to the sensing portion on the back of the switch. See Fig. 31. Be careful not to melt the plastic housing of the switch when conducting this test.

**FIG. 31**



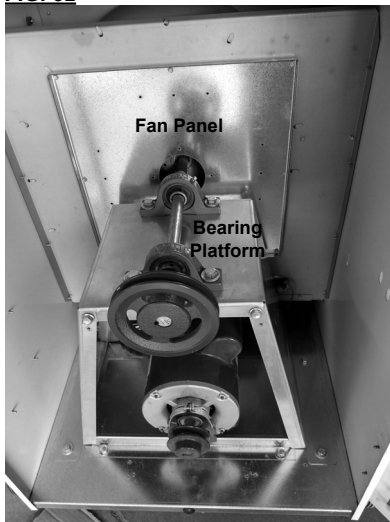
3. Within a minute, you should hear the contacts of the switch have opening.

- Allow the switch to cool for about a minute before firmly pressing its reset button. Put the red cap back on the switch.
- Check for electrical continuity across the switch terminals to make sure the contacts have closed.

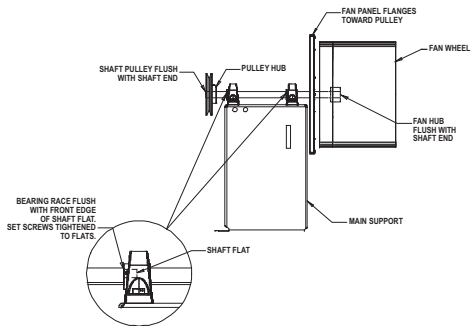
## Fan Wheel, Bearings and Shaft

- Remove the following:
  - Belt guard and belt.
  - Bolts and washers securing the bearing platform at the heater's base.
  - Screws securing the fan panel to the fan housing.
- Slide the complete assembly from the heater.
- Replace the components as needed
- When reinstalling, ensure fan shaft is flush with fan hub and fan pulley. See Fig. 33.

**FIG. 32**



**FIG. 33**



## Burner Orifice and Gas Control Valve

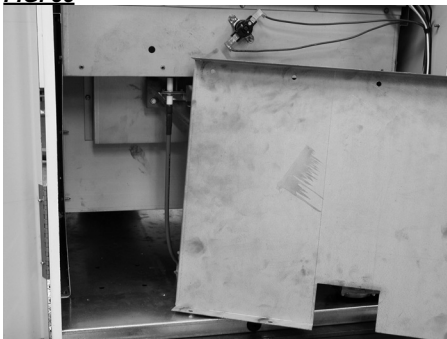
- Remove hose and pipe nipple from control valve inlet.
- Open burner end door.
- Remove screws from gas control bracket and disconnect control valve's electrical wiring. See Fig. 34.

**FIG. 34**



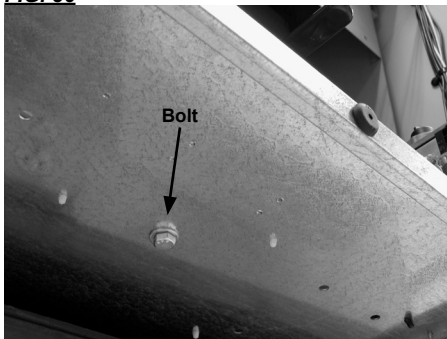
- Remove burner access panel. See Fig. 35.

FIG. 35



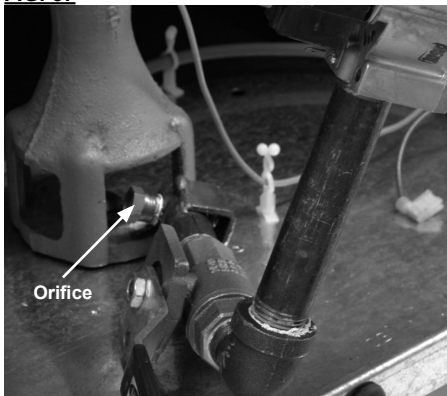
5. Remove burner retaining bolt from under base at gas control end of heater. See Fig. 36.

FIG. 36



6. Lift and pivot the gas train assembly so orifice is exposed. See Fig. 37, Dual Fuel shown. Replace control valve or orifice if needed.

FIG. 37



## Gas Pressure Checks

### **WARNING** Burn Hazard

- Do not disassemble the gas control valve.
- Do not attempt to replace any components of the gas control valve.
- The gas control valve must be replaced if any physical damage occurs to the control valve assembly.
- Failure to follow this warning will result in fire or explosions, leading to injury or death to humans, and property damage.

### ATTENTION

- The following explains a typical procedure to be followed in checking gas pressures.
- The gas pressures will vary depending upon fuel type.
- Consult the dataplate on the heater or page 4 in this manual for specific pressures to be used in conjunction with this procedure.
- Gas pressure measured at the inlet to the gas valve is Inlet Pressure and gas pressure measured at the outlet of the gas valve is Burner Manifold Pressure.

### MATERIALS REQUIRED

Quantity	Description
2	Gas pressure gauges capable of reading up to 35 in.W.C./8.7 kPa. (Available from L.B.White Company if desired)

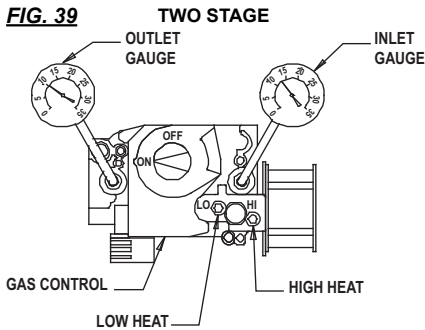
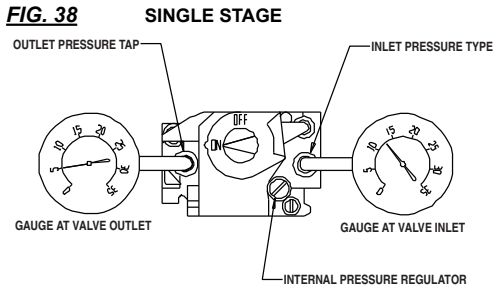
### A. Preparation

1. Disconnect the heater from the electrical supply and close the fuel supply valve to the heater.
2. Open the case access panel at burner end of heater.
3. Brush or blow off any dust or dirt in the vicinity of the gas control valve.

### B. Gauge Installation

1. Locate the gas control pressure taps. See Fig. 38 for single stage valve, or Fig. 39 for two stage valve. Remove the pressure tap plugs using a 3/16 in. allen key.

2. Securely connect pressure gauges at these points.
3. Open the fuel supply valves to the heater and reconnect the heater electrical supply.
4. Start the heater



### C. Reading Pressures

1. With the heater operating, the pressure gauges should read the pressures specified on the dataplate.
2. Do the readings at the inlet and outlet pressure gauges agree with that specified on the dataplate? If so, then no further checking or adjustment is required. Proceed to section D.
3. If the inlet pressures do not agree with that specified on the dataplate, then the regulator controlling gas pressure to the heater requires adjustment.
4. If the inlet pressure is correct but the burner manifold pressure does not agree with that specified on the dataplate, then the gas control valve's internal pressure regulator needs adjustment:

#### Premier 350DF Heater:

- Remove the regulator cap on the control valve.
- Using a standard screwdriver turn the adjusting screw clockwise (to increase pressure) or counterclockwise (to decrease pressure) until the burner manifold pressure is set.
- Install regulator cap.
- Proceed to COMPLETION.

#### Premier 350 Propane Gas Heater

- Turn the thermostat down to its lowest setting.
- Remove the cap from the high and low heat adjusting screws at the two stage pressure regulator on the gas control valve.
- Slowly turn up the thermostat until a pressure is read no greater than 2.0 in.W.C./ .49 kPa at the outlet pressure gauge.
- If less than these pressures is observed, the low heat setting at the regulator on the gas control will require adjusting.
- Turn clockwise to increase, or counterclockwise to decrease pressure.
- Turn the thermostat completely up.
- You should see the gas pressure increase from 2.0 in. W.C./ .49 kPa at low heat to 8.0 in.W.C./2.0 kPa high heat.
- If less or greater than these pressure are observed the high heat setting must be adjusted clockwise or counterclockwise accordingly until proper pressure is achieved.

### D. Completion

1. Once the proper inlet and burner manifold pressures have been confirmed and/or properly set, close the fuel supply valve to the heater and allow the heater to burn off any gas remaining in the gas supply line.
2. Disconnect the heater from its electrical supply and close fuel supply valve.
3. Remove the gauges.
4. Install pressure tap plugs.
5. Open fuel supply valve and reconnect electrical supply to heater. Start the heater and check for gas leaks.
6. Set thermostat to desired temperature.

# Troubleshooting Guide

## READ THIS ENTIRE SECTION BEFORE BEGINNING TO TROUBLESHOOT PROBLEMS.

### WARNING

- This heater can start at any time.
- Troubleshooting this system may require operating the unit with line voltage present and gas on. Use extreme caution when working on the heater.
- Failure to follow this warning may result in property damage, personal injury or death.

The following troubleshooting guide provides systematic procedures for isolating equipment problems. This guide is intended for use by a QUALIFIED GAS HEATER SERVICE PERSON. DO NOT ATTEMPT TO SERVICE THESE HEATERS UNLESS YOU HAVE BEEN PROPERLY TRAINED.

### TEST EQUIPMENT REQUIRED

The following pieces of test equipment will be required to troubleshoot this system with minimal time and effort.

- **Digital Multimeter** - for measuring AC voltage and resistance.
- **Low Pressure Gauge** - for checking inlet and outlet pressures at the gas control valve against dataplate rating.
- Visually inspect equipment for apparent damage.
- Checking all wiring for loose connections and worn

Refer to the system operation sequence in this section to gain an understanding as to how the equipment operates during a call for heat. Understanding the sequence of operation of the ignition module and related components is essential as it will relate directly to problem solving provided by the flow charts.

The ignition control module is self-diagnostic. The red light, located within the selector switch, will flash a specific light pattern depending upon the problem which is diagnosed. To effectively use

the flow charts, you must first identify what the problem is by the light pattern of the L.E.D. (light emitting diode) diagnostic light. If the light is flashing, the flash pattern will be followed by a pause and then a repeat of the flash pattern until the problem is corrected. Refer to the tables below to identify what page to refer to when troubleshooting any problems.

The L.E.D. light will only be on when the selector switch is positioned to HEAT and the thermostat is set above room temperature. The light will not be on when the selector switch is positioned to VENT.

<u>Heating Mode Problems</u>	<u>Page</u>
L.E.D. light is not on .....	32
L.E.D. diagnostic light is flashing:	
A. One Time.....	33
B. Two Times .....	34
C. Three Times .....	35
D. Four Times .....	35
E. Five Times.....	35

<u>Ventilation Mode Problems</u>	<u>Page</u>
A. Motor Does Not Run .....	36
B. Motor "Hums," Does Not Run.....	36
C. Motor Runs with Low Air Output .....	36

Components should be replaced only after each step has been completed and replacement is suggested in the flow chart. Refer to the Servicing sections as necessary to obtain information on disassembly and replacement procedures of the component once the problem is identified by the flow chart.

### DIRECT IGNITION OPERATION SEQUENCE:

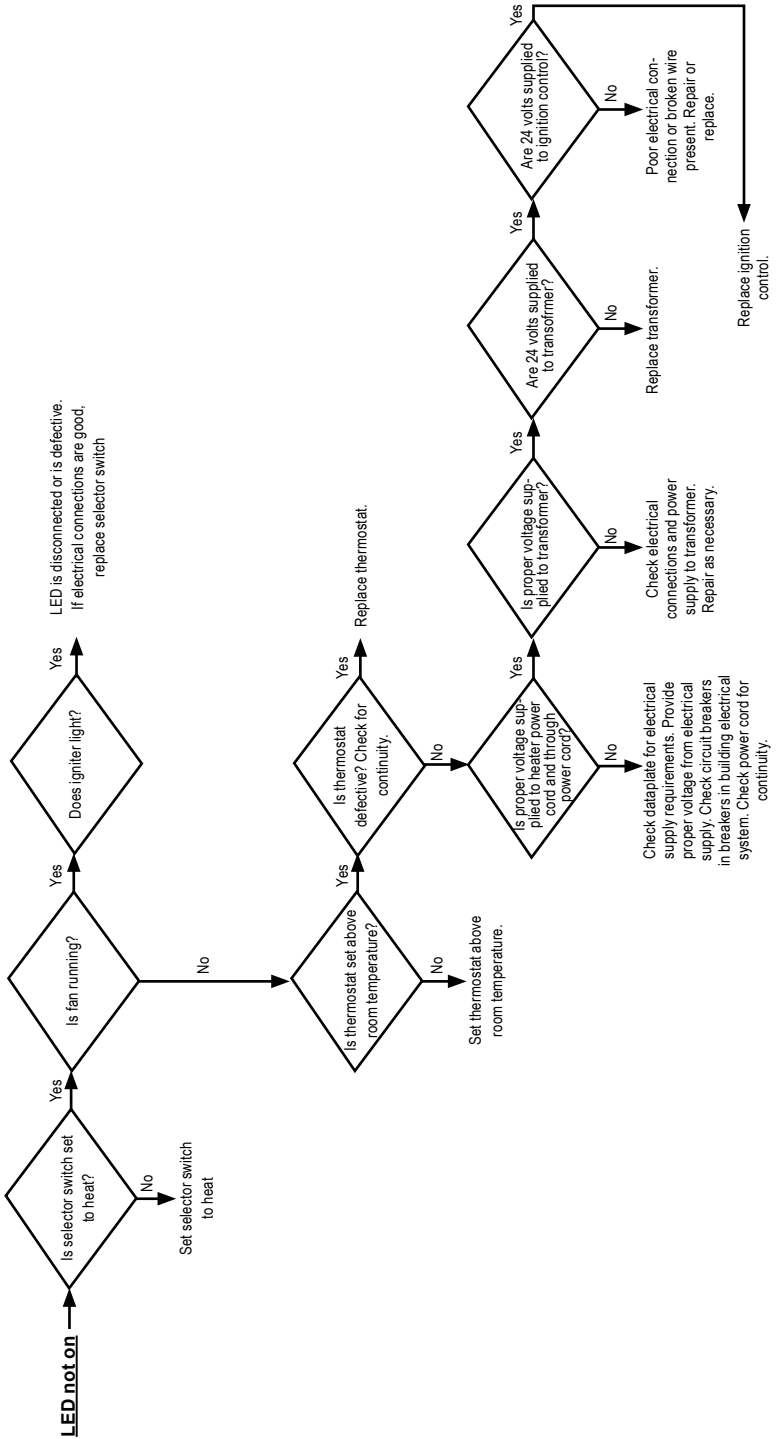
- Selector switch is set to heat.
- Line voltage is sent to ignition control and to transformer.
- Transformer reduces line voltage to 24 volts which is sent to thermostat.
- The thermostat calls for heat.
- The thermostat sends 24 volts to ignition control.
  - Red light is illuminated
  - Ignition control module performs self safety check.
  - Internal components are tested.
  - Air proving circuit is checked.
- Ignition control module begins ignition trial sequence.
- Ignition control module sends 24 volts to air proving switch.
- Ignition control sends line voltage to motor relay
  - Motor relay closes and fan motor starts.
- Air proving switch closes and 24 volts are returned to the ignition control module.

- Ignition control module sends high voltage to the igniter electrode.
  - Igniter sparks.
- Ignition control module sends 24 volts to the gas control valve through the high limit switches.
  - Gas control valve opens.
- Ignition occurs.
  - Igniter continues to spark until flame proving occurs.
  - Ignition spark is cut off.
  - Gas valve stays open.
- Room warms to desired temperature.
- Thermostat is satisfied.
  - Gas control closes, burner shuts down.
  - **Fan motor continues to run for 1 minute, cooling the heat chamber.**
  - Fan motor stops.
  - Heater shuts off.
- Process starts again on a call for heat.

#### **IGNITION FAILURE SEQUENCE:**

- Trial for ignition takes approximately 10 seconds.
- If ignition module does not sense a flame within the ignition trial, the module goes into safety lockout (3 flash pattern.)
  - Gas valve closes.
  - Ignition spark shuts off.
  - Fan motor stops.
- To retry for ignition, the systems must be reset:
  - Turn the thermostat down and then up to call for heat or unplug heater and plug it back in or
  - Position selector switch to off and then back to on.

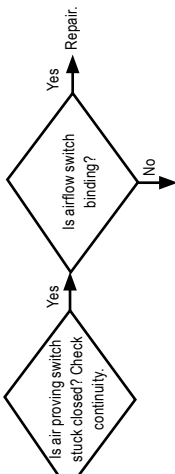
**LED Constant On:** → **Normal operation**



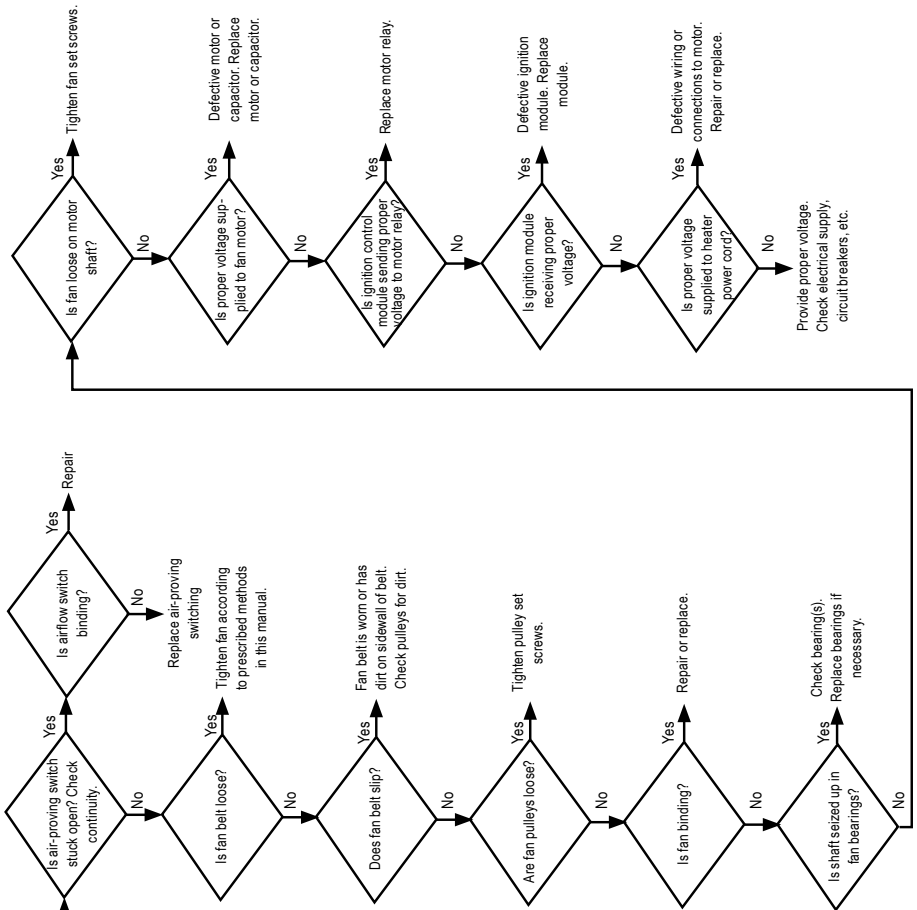


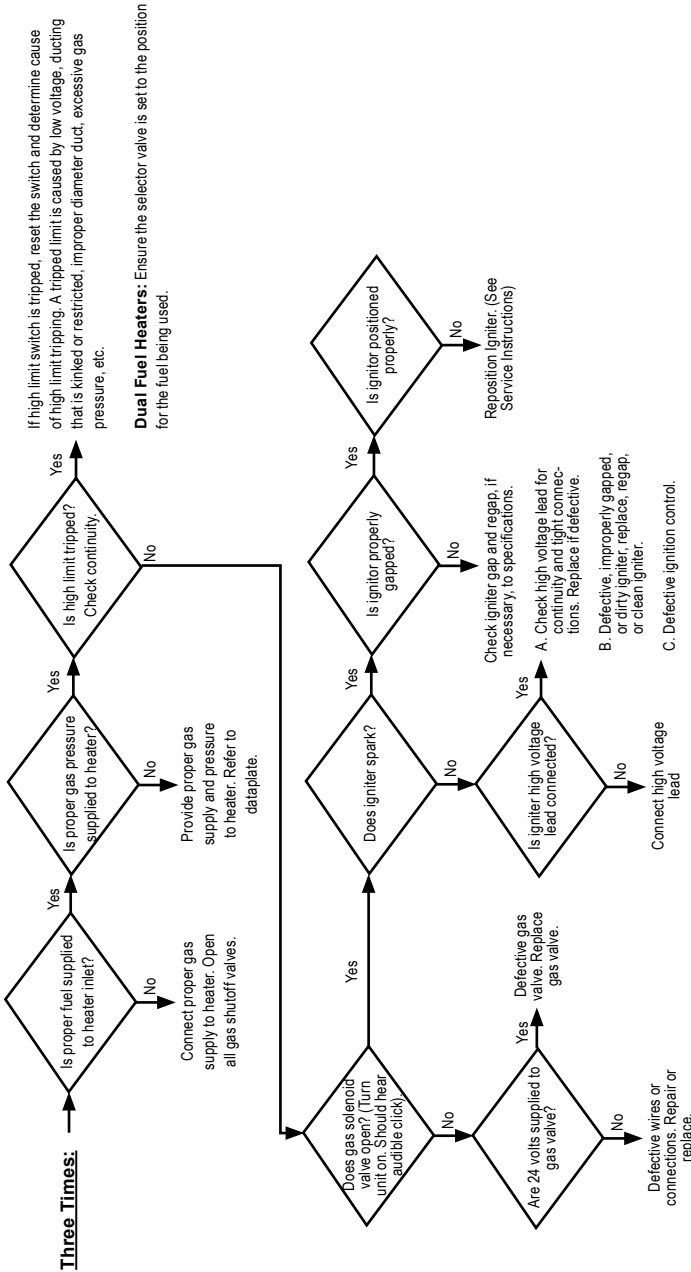
## LED Flashing

**One Time:**  
**Air proving switch**  
**contacts are closed**  
**before fan motor**  
**starts.**

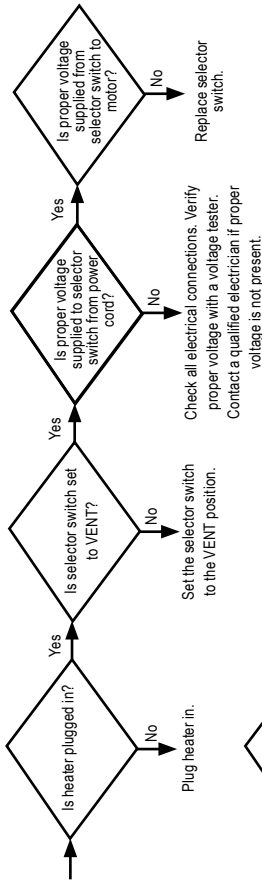


**Two Times:**

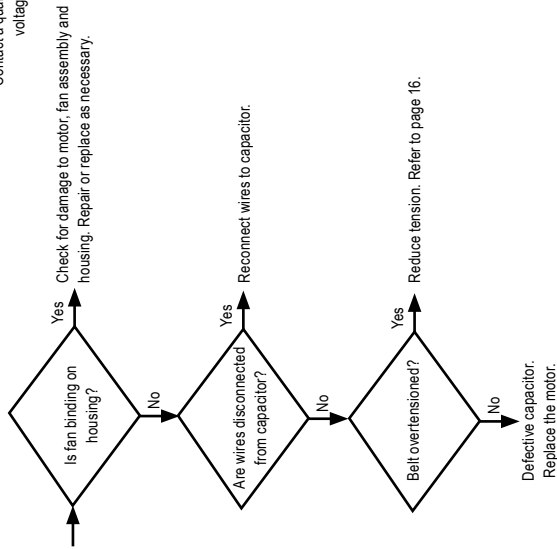




**Problem:  
Motor does not  
operate**



**Problem:  
Motor hums,  
does not operate**

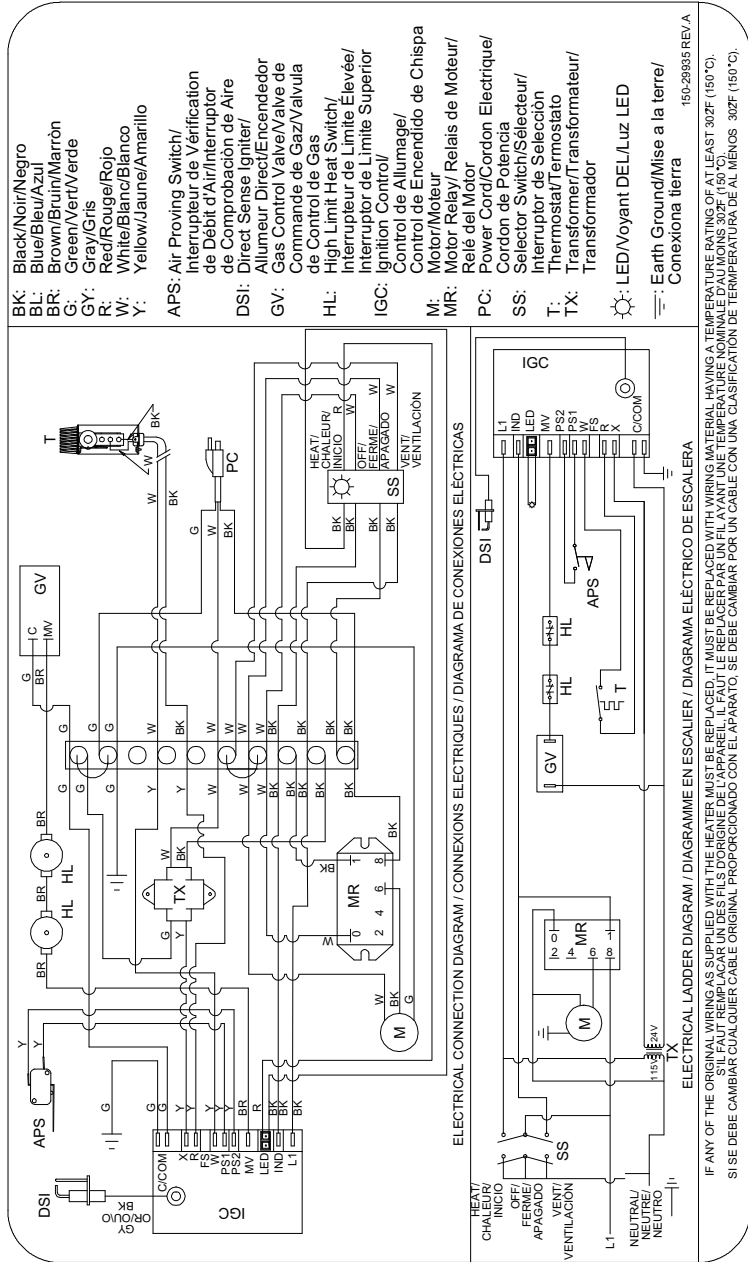


**Problem:  
Motor runs but  
with low air output**

Check all drive components for wear. Check for broken belt or for belt slipping.  
Check pulleys for proper alignment, dirt in pulley grooves, etc.  
Check voltage.

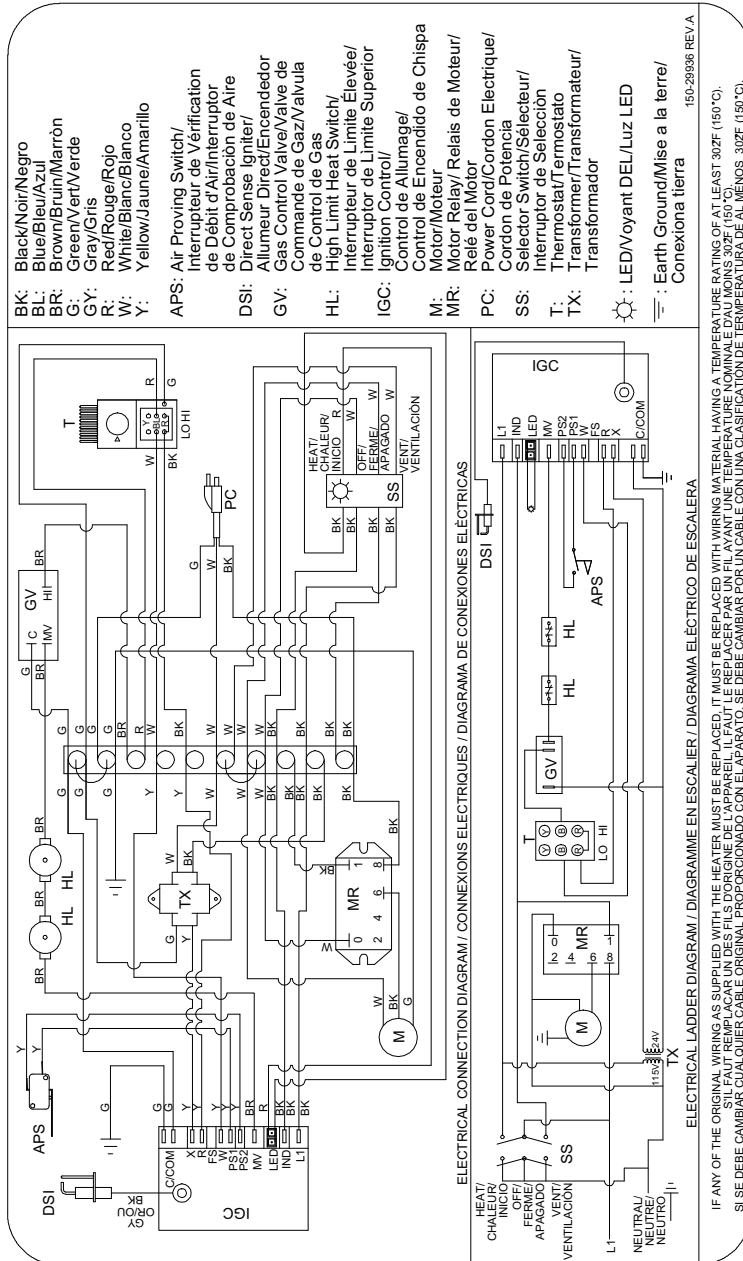
# Electrical Connection and Ladder Diagram

## Premier 350 DF



# Electrical Connection and Ladder Diagram

## Premier 350 Propane Gas



# Heater Component Function

## **Air Proving Switch**

Safety device used to insure that the proper air flow is being achieved before the gas valve is opened.

## **Belt**

Friction drive component used for transmission of power from motor to fan shaft. Used in conjunction with motor and fan sheaves.

## **Burner**

Cast iron component used to channel gas and provide an area at which the fuel may ignite.

## **Burner Orifice**

Brass metering device used to feed gas to burner at a specific rate.

## **Direct Spark Ignition Control Module**

Electronic printed circuit board which sends and receives voltages to various controls in an automatic ignition system. An important safety feature of the control board is that it will shut down the entire heater, thereby stopping the flow of fuel gas if burner flame goes out.

## **Fan Housing**

Chamber used for delivering air for efficient air movement.

## **Fan Wheel**

Component used in conjunction with the motor and fan housing to pull the hot air from heater and blow it into room for heating (also known as a squirrel cage).

## **Gas Control Valve**

Electrical device consisting of a low pressure regulator and electrical solenoids used for the control of gas flow to the burner assembly. A feature of the control valve is a built-in gas shut off which may be used to isolate the heater from its gas supply when servicing.

## **Gas Hose**

Flexible connector used to convey gas from supply line in building to heater.

## **Gas Selector Valve (DF Heaters Only)**

Allows easy gas conversion depending on gas being supplied at job site. Eliminates the need for changeout of the burner orifice and resetting of the gas control valve.

## **Heat Chamber**

Metal fire box within the appliance that provides an area where burner flame mixes with combustion air, thereby providing heat.

## **High Limit Switch**

Safety device wired into the control system which is used to break an electrical circuit to the gas control valve in event of overheat situation.

## **Igniter**

Ignition device used on automatic direct spark ignition control systems. Ignites gas by spark.

## **Motor**

Electric device used to force preheated air through the heater and to circulate heat within a certain area. Converts electrical energy into mechanical energy.

## **Motor Relay**

Electrical component wired between ignition control and motor. Used to feed voltage to motor upon receipt of voltage from ignition control.

## **Pulleys**

Grooved friction drive components responsible for transmission of power from motor to fan shaft. Used in conjunction with V-Belt.

## **Regulator**

Mechanical device used in L.P. and natural gas distribution systems to reduce a higher inlet pressure to a preset lower pressure. The regulator is responsible to supply a steady outlet pressure to the heater(s) despite changes in inlet pressure, heater demand and weather conditions.

## **Selector Switch**

Electrical device which is used to allow the end user to use the heater in either a heating or ventilation application.

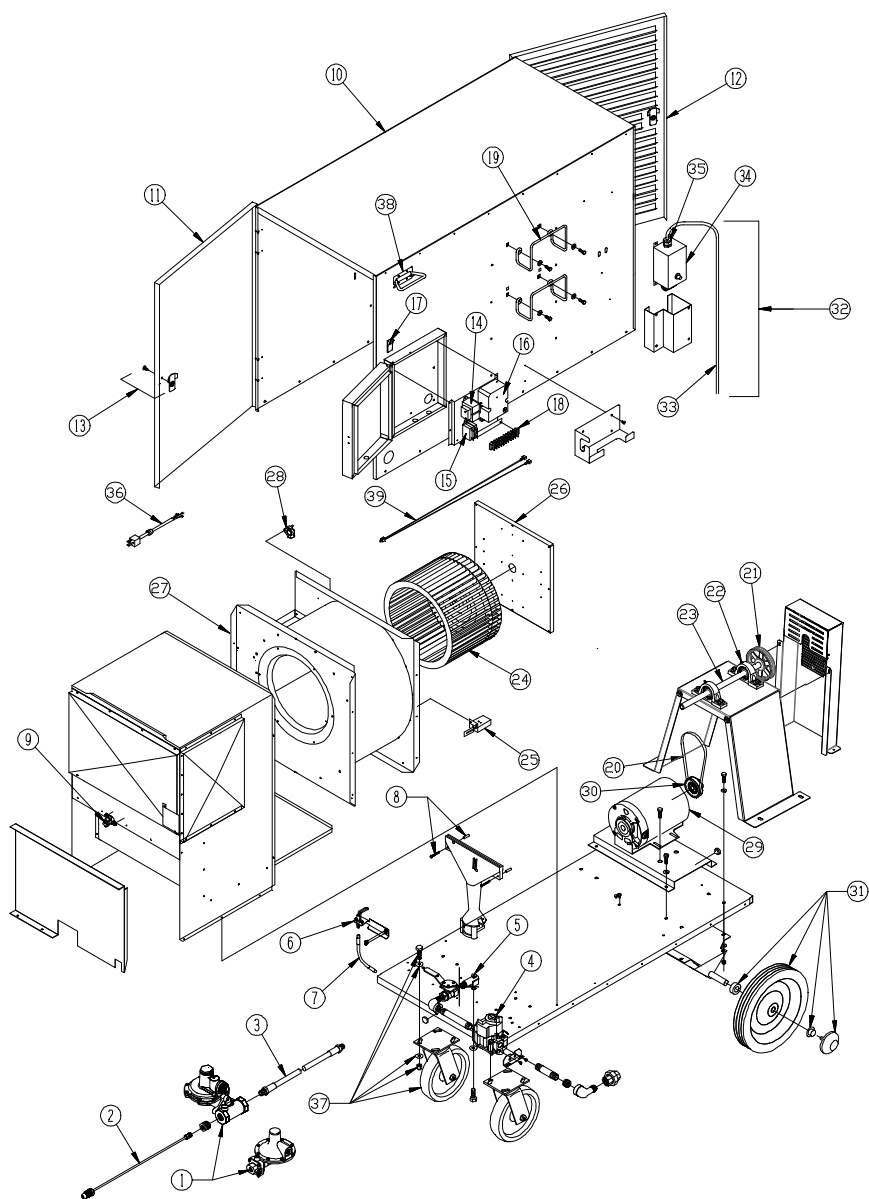
## **Thermostat**

Electrical device used as an automatic "on/off" switch which will respond to changes in temperature in a certain area. Can be wired so contacts in the thermostat open or close on temperature increase or decrease.

## **Transformer**

Electrical control used to accept line power supply primary voltage and reduce it to lower secondary voltage.

# Service Parts Identification Schematic





Item	Description	Part Number	
1	Regulator	Dual Fuel	500-25141
		Propane Gas	500-25767
2	Pigtail Connector	Dual Fuel and Propane Gas	500-25766
3	Hose, 3/4 ID x 15 ft.		500-25965
4	Valve, Gas Control	Dual Fuel	500-24025
		Propane Gas	523153
5	Burner Orifice	Dual Fuel	573715
		Propane Gas	571140
6	Igniter		571662
7	Lead, Ignition		571206
8	Burner Mounting Hardware (2 each screws and spacers)		570211
9	Switch, High Limit, Burner End, 325°F		571262
10	Case Assembly		573472
11	Panel, Case Access, Burner		573473
12	Panel, Case Access, Louvered		573471
13	Latch		570228
14	Transformer		509615
15	Relay		570221
16	Ignition Control		500-25590
17	Switch, Selector w/ LED		571411
18	Terminal Strip		571259
19	Hose Hanger		571619
20	Belt		573716
21	Pulley, Fan		571303
22	Bearing, Pillow Block (2 per part number)		571294
23	Shaft, 3/4 dia. with 3/16 keyway		571820
24	Fan		571309
25	Switch, Air Proving		571299
26	Panel, Fan Access		573717
27	Housing, Fan w/ High Limit & Air Proving Switch		571272
28	Switch, High Limit, Fan End, 190°F		571400
29	Motor		571327
30	Pulley, Motor		571067
31	Wheel Kit (Includes 1 ea. wheel, hub cap, retaining cap and spacer)		571153
32	Thermostat Kit w/ 20 ft. Cord	Premier 350	500-22920
		Premier 350 DF	500-20176
33	Cord, Thermostat		573718

34	Thermostat	Premier 350	500-23778
		Premier 350 DF	500-09381
35	Connector, Liquid Tight		570348
36	Cord, Power, 10 ft.		571248
37	Wheel, Caster with Mounting Hardware		571193
38	Handle, Case		571628
39	Wire Harness, LED		571384

\*NOT SHOWN: Fan Key for Fan & Motor Pulleys & Fan Shaft

22955

# Notes

# Warranty Policy

## **HEATER**

L.B. White Company, LLC warrants that the component parts of its heater are free from defects in material and workmanship, when properly installed, operated, and maintained in accordance with the Installation and Maintenance Instructions, safety guides and labels contained with each unit. If, within 24 months from the date of purchase by the end user, any component is found to be defective, L.B. White Company, LLC will at its option, repair or replace the defective part or heater, with a new part or heater, F.O.B., Onalaska, Wisconsin. Registering your product online with L.B.White will automatically qualify a unit and its component parts for warranty consideration. If a product has not been registered with L.B.White, a copy of the bill of sale will be required to establish warranty qualification. If neither is available, the warranty period will be 24 months from date of shipment from L.B. White.

## **PARTS**

L.B. White Company, LLC warrants that replacement parts purchased from the company and used on the appropriate L.B. White equipment are free from defects both in material and workmanship for 24 months from the date of purchase by the end user. Warranty is automatic if a component is found defective within 24 months of the date code marked on the part. If the defect occurs more than 24 months later than the date code but within 24 months from the date of purchase by the end user, a copy of a bill of sale will be required to establish warranty qualification.

The warranty set forth above is the exclusive warranty provided by L.B. White, and all other warranties, including any implied warranties or merchantability or fitness for a particular purpose, are expressly disclaimed. In the event any implied warranty is not hereby effectively disclaimed due to operation of law,

such implied warranty is limited in duration to the duration of the applicable warranty stated above. The remedies set forth above are the sole and exclusive remedies available hereunder. L.B. White will not be liable for any incidental or consequential damages directly or indirectly related to the sale, handling or use of the equipment, and in any event L.B. White's liability in connection with the equipment, including for claims based on negligence or strict liability, is limited to the purchase price.

Some states do not allow limitations on how long an implied warranty lasts, so the above limitation may not apply to you. Some states do not allow the exclusion or limitation of incidental or consequential damages, so the above limitation or exclusion may not apply to you. This warranty gives you specific legal rights, and you may also have other rights which vary from state to state.

To register your product and ensure full warranty, go to [http://www.lbwhite.com/customer\\_care\\_center/product-registration/](http://www.lbwhite.com/customer_care_center/product-registration/). Please have the serial number(s) and model(s) handy for the products you are registering.

## Service

Contact your local L.B. White dealer for replacement parts and service. You may also call the L.B. White Company, LLC at 1-800-345-7200, for assistance, or email us at [customerservice@lbwhite.com](mailto:customerservice@lbwhite.com).

Be sure that you have your heater model number and configuration number when calling.



## **WORLD PROVIDER - INNOVATIVE HEATING SOLUTIONS**

411 Mason Street, Onalaska, WI 54650  
800-345-7200 • 608-783-5691  
608-783-6115 (fax)

**[www.lbwhite.com](http://www.lbwhite.com)**



## Premier Calefactores canalizados

**TS350** 350 000 Btuh/102,6 kW  
**TS350DF** 350 000 Btuh/102,6 kW

Recuperación del vapor de gas PL o de doble combustible

Para ver este manual en línea, visite [www.lbwhite.com](http://www.lbwhite.com)

### Atención

Este calefactor ha sido probado y evaluado por CSA Group según los requisitos de la norma ANSI Z83.7•CSA 2.14, y está clasificado y aprobado como calefactor para construcciones canalizadas de gas directo y aire forzado, con aplicación para calefacción transitoria de edificios en construcción, bajo modificaciones o reparaciones. A su vez, este calefactor ha sido revisado y aprobado por CSA Group para aplicaciones de calefacción de carpas con ocupación humana temporaria en Estados Unidos y Canadá. SI TIENE PREGUNTAS SOBRE LAS APLICACIONES, CONSULTE A SU AUTORIDAD LOCAL DE SEGURIDAD EN MATERIA DE INCENDIOS, SU PROVEEDOR DE GAS COMBUSTIBLE O L.B. WHITE COMPANY.

[www.lbwhite.com](http://www.lbwhite.com)



NORTH AMERICAN MADE



### ¡Felicitaciones!

Acaba de comprar el mejor calefactor circulante disponible. Su nuevo calefactor L.B. White incorpora los beneficios del fabricante de productos de calefacción más experimentado que emplea tecnología de avanzada.

En L.B. White, le agradecemos la confianza depositada en nuestros productos y serán bien recibidos los comentarios y sugerencias que pueda tener... contáctenos al 1-800-345-7200, o envíe un correo electrónico a [customerservice@lbwhite.com](mailto:customerservice@lbwhite.com).

CONSULTE LAS  
INSTRUCCIONES  
DE ARMADO  
EN EL INTERIOR

Consulte la información importante sobre elevación en la portada interna.



ESCANEE ESTE  
CÓDIGO

con su teléfono inteligente o visite <http://goo.gl/5j21G> para ver los videos de mantenimiento para calefactores L.B. White.\*

\* Necesita una aplicación como QR Droid para Android o para iPhone

PROVEEDOR MUNDIAL; SOLUCIONES INNOVADORAS DE CALEFACCIÓN

411 Mason Street, Onalaska, WI 54650 • 800-345-7200 • 608-783-5691 • 608-783-6115 (fax) • [www.lbwhite.com](http://www.lbwhite.com)

# ÍNDICE

Especificaciones del calefactor .....	4
Información general.....	5
Precauciones de seguridad .....	6
Instrucciones de instalación	
General .....	9
Tamaño del suministro de gas.....	11
Conexión de la manguera al calentador.....	12
Conexión del regulador al suministro de gas .....	12
Termostato .....	13
Instalación del calefactor .....	14
Estructura interior .....	14
Estructura exterior (utilizando accesorios de distribución de aire) .....	14
A. Conjunto de conductos .....	14
B. Difusor de extremo.....	14
C. Conjunto de conductos inflables.....	15
Instrucciones de puesta en marcha .....	16
Instrucciones de apagado .....	17
Válvula selectora de gas (solamente calefactores Premier 350 de doble combustible) .....	17
Instrucciones de limpieza .....	18
Instrucciones de mantenimiento.....	19
Instrucciones de servicio General .....	20
Reemplazo de la correa .....	20
Poleas del ventilador y el motor .....	21
Resolución de problemas de los componentes del impulsor del ventilador .....	22
Motor del ventilador.....	23
Interruptor de comprobación de aire .....	23
Control de encendido .....	24
Relé .....	24
Transformador.....	24
Conjunto del encendedor .....	25
Restablecimiento manual de los interruptores de límite superior.....	26
Turbina, rodamientos y eje.....	27
Orificio del quemador y válvula de control de gas.....	27
Verificaciones de la presión de gas.....	28
Información de resolución de problemas.....	30
Conexión eléctrica y diagrama de escalera de Premier 350 DF .....	37
Gas propano Premier 350.....	38
Función de los componentes del calefactor .....	39
Identificación de piezas y esquema de piezas .....	40
Lista de piezas.....	41
Política de garantía, Piezas de repuesto y mantenimiento .....	44



## ADVERTENCIA

Los productos estándar se fabrican para funcionar con la máxima eficacia a elevaciones de entre 0 y 2000 ft (0 y 610 m) sobre el nivel del mar.

Si este se hace funcionar a elevaciones mayores, no funcionará correctamente y puede resultar inseguro.

Puede haber disponibles productos que aseguren un funcionamiento adecuado a elevaciones alternativas.

Si necesita un producto para altas elevaciones, no lo especificó al pedirlo o la caja en la que vino esta unidad no tiene una etiqueta adhesiva de designación de altitud alternativa, comuníquese con el servicio técnico.

**ADVERTENCIA GENERAL**

- SI NO SE CONTEMPLAN LAS PRECAUCIONES E INSTRUCCIONES SUMINISTRADAS CON EL CALEFACTOR, ESTE PUEDE OCASIONAR:
  - LA MUERTE
  - QUEMADURAS O LESIONES GRAVES
  - DAÑOS O PÉRDIDAS MATERIALES POR INCENDIO O EXPLOSIÓN
  - ASFIXIA DEBIDO A LA FALTA DE UN SUMINISTRO DE AIRE ADECUADO O ENVENENAMIENTO POR MONÓXIDO DE CARBONO
  - DESCARGAS ELÉCTRICAS
- LEA DETENIDAMENTE ESTE MANUAL DEL USUARIO ANTES DE INSTALAR O USAR ESTE PRODUCTO.
- SOLO AQUELLAS PERSONAS QUE PUEDAN LEER, COMPRENDER Y SEGUIR LAS INSTRUCCIONES DEBEN USAR O SOMETER A SERVICIO ESTE CALEFACTOR.
- GUARDE ESTE MANUAL DEL USUARIO PARA CONSULTARLO Y USARLO EN EL FUTURO.
- LOS MANUALES DEL USUARIO Y LAS ETIQUETAS DE REPUESTO ESTÁN DISPONIBLES SIN COSTO. CONSULTE EL SITIO WEB O CONTÁCTESE CON L.B. WHITE AL 1-800-345-7200.

**ADVERTENCIA**

- SE DEBERÁ PROPORCIONAR UNA PRESIÓN DE SUMINISTRO DE GAS APROPIADA A LA ENTRADA DEL CALEFACTOR.
- CONSULTE LA PLACA DE DATOS PARA OBTENER INFORMACIÓN SOBRE LA PRESIÓN DE SUMINISTRO DE GAS ADECUADA.
- SI LA PRESIÓN DE GAS SUPERA LA PRESIÓN DE ENTRADA MÁXIMA ESPECIFICADA EN LA ENTRADA DEL CALEFACTOR, SE PUEDEN PRODUCIR INCENDIOS O EXPLOSIONES.
- LOS INCENDIOS O LAS EXPLOSIONES PUEDEN CAUSAR LESIONES GRAVES, LA MUERTE O DAÑOS EN LA CONSTRUCCIÓN.
- SI LA PRESIÓN DEL GAS ES INFERIOR A LA PRESIÓN DE ENTRADA MÍNIMA ESPECIFICADA EN LA ENTRADA DEL CALEFACTOR, LA COMBUSTIÓN PUEDE SER INADECUADA.
- LA COMBUSTIÓN INADECUADA PUEDE CAUSAR ASFIXIA O ENVENENAMIENTO POR MONÓXIDO DE CARBONO, Y ASÍ OCASIONAR LESIONES GRAVES O LA MUERTE.

**ADVERTENCIA****Peligro de incendio y explosión**

- NO DEBE USARSE EN VIVIENDAS NI EN VEHÍCULOS RECREATIVOS.
- LA INSTALACIÓN DE ESTE CALEFACTOR EN UNA VIVIENDA O EN UN VEHÍCULO RECREATIVO PUEDE OCASIONAR UN INCENDIO O UNA EXPLOSIÓN.
- LOS INCENDIOS O EXPLOSIONES PUEDEN OCASIONAR DAÑOS MATERIALES O LA MUERTE.

**ADVERTENCIA****PELIGRO DE INCENDIO, QUEMADURAS, INHALACIÓN Y EXPLOSIÓN**

- MANTENGA LOS COMBUSTIBLES SÓLIDOS A UNA DISTANCIA SEGURA DEL CALEFACTOR.
- ENTRE LOS COMBUSTIBLES SÓLIDOS SE INCLUYEN PRODUCTOS DE MADERA, PAPEL O PLÁSTICO, MATERIALES DE CONSTRUCCIÓN Y POLVO.
- NO USE EL CALEFACTOR EN ESPACIOS DONDE HAYA O PUEDA HABER COMBUSTIBLES VOLÁTILES O EN SUSPENSIÓN EN EL AIRE.
- ENTRE LOS COMBUSTIBLES VOLÁTILES O EN SUSPENSIÓN EN EL AIRE SE INCLUYEN LA GASOLINA, LOS SOLVENTES, EL DILUYENTE DE PINTURA, LAS PARTÍCULAS DE POLVO Y LAS SUSTANCIAS QUÍMICAS DESCONOCIDAS.
- SI NO SIGUEN ESTAS INSTRUCCIONES, SE PUEDE PROVOCAR UN INCENDIO O UNA EXPLOSIÓN.
- LOS INCENDIOS O LAS EXPLOSIONES PUEDEN CAUSAR DAÑOS MATERIALES, HERIDAS O LA MUERTE.

**PARA SU SEGURIDAD**

No almacene ni use gasolina u otros vapores y líquidos inflamables cerca de este o de cualquier otro artefacto.

**PARA SU SEGURIDAD**

Si siente olor a gas:

1. Abra las ventanas.
2. No toque los interruptores eléctricos.
3. Apague toda llama al descubierto.
4. Llame inmediatamente a su proveedor de gas.

**ADVERTENCIA**

RESIDENTES DE CALIFORNIA:

Cuando está en funcionamiento, este calefactor libera químicos, incluido el monóxido de carbono, los cuales el estado de California considera que causan malformaciones congénitas y otros daños reproductivos. Para obtener más información, diríjase a [www.P65Warnings.ca.gov](http://www.P65Warnings.ca.gov)

## Especificaciones

Descripción		Modelo		
		TS350DF		TS350
Tipo de combustible		Gas propano	Gas natural	Gas propano
Entrada máxima (Btu/h/kW)	MÁX.	350 000/102,6		
	MÍN	N/C		175 000/51,3
Presión de suministro de gas de entrada aceptable en la entrada del calefactor para el propósito de ajuste de entrada (pulgadas de columna de agua/kPa)	MÁX.	13,5 / 3,36		
	MÍN	11,0 / 2,74		
Presión del colector del quemador (pulgadas de columna de agua/kPa)	MÁX.	5,2/1,30	5,3/1.32	8,0/2,0
	MÍN	N/C		2,0/0,49
Consumo de combustible por hora	MÁX.	16,2 libras / 7,34 kg	350 ft <sup>3</sup> /9,9m <sup>3</sup>	16,2 lb/7,34 kg
	MÍN	N/C		8,12 lb/3,54 kg
Características del motor		Rodamiento		
		1 HP /745,7 vatios/1725 r. p. m.		
Velocidad del ventilador		915 r. p. m.		
Suministro eléctrico (Voltios/HZ/fase)		115/60/1		
Amperaje	Arranque	35,0		
	Uso continuo	11,0		
Dimensiones L x An. x Al. (in/cm)		48 x 22 25 x 32,75 / 122 x 56,5 x 83 2		
Distancias seguras mínimas del calefactor a los materiales combustibles más cercanos (ft/m)	Parte superior	1/0,3		
	Laterales	1/0,3		
	Parte inferior	1/0,3		
	Salida del soplador	6/1,83		
	Suministro de gas	Propano. EE. UU.: 6, Canadá: 3,05 - Gas natural - N/D		
Temperatura ambiente mínima que se puede usar		-20 °F/-29 °C		



## Información general

En este manual del usuario se incluyen los accesorios que se usan comúnmente en este calefactor. Estos accesorios se deben pedir por separado.

Cuando llame para solicitar asistencia técnica, o para obtener cualquier otra información específica, **siempre** tenga disponible el número de modelo, el número de configuración, y el número de serie. Esta información se encuentra en la placa de datos.

Este manual le brindará instrucciones sobre el funcionamiento y el cuidado de su unidad. Pida a su instalador que revise con usted este manual para que usted pueda entender perfectamente el calefactor y su funcionamiento.

Póngase en contacto con su distribuidor local de L.B. White o con L.B. White Co., Inc. para obtener ayuda, o si tiene preguntas sobre el uso del equipo o sobre su aplicación.

L.B. White Co., Inc. tiene una política de mejoramiento continuo del producto. Se reserva el derecho de cambiar especificaciones y diseño sin previo aviso.

## Precauciones de seguridad

### **ADVERTENCIA**

#### **Peligro de asfixia**

- No use este calefactor para calefactar lugares habitables, garajes, talleres u otros espacios cerrados similares.
- No lo use en áreas sin ventilación.
- El flujo de aire de ventilación y combustión no debe obstruirse.
- Se deberá proporcionar aire de ventilación apropiado para cumplir con los requisitos de aire de combustión del calefactor en uso.
- La falta de una cantidad de aire de ventilación apropiada generará una combustión inadecuada.
- La combustión inadecuada puede resultar en envenenamiento por monóxido de carbono y producir lesiones graves o la muerte.  
Entre los síntomas del envenenamiento por monóxido de carbono se pueden incluir dolores de cabeza, mareos y dificultad para respirar.
- Se deberá proporcionar aire de ventilación apropiado para la combustión conforme a las normas OSHA 29 CFR 1926.154, dispositivos de calefacción temporales, ANSI A10.10, requisitos de seguridad para dispositivos de calefacción temporales y portátiles o bien al código de instalación de artefactos de gas natural y propano, CAN/CSA B149.1, según corresponda.

## Olor a gas combustible

El gas propano y el gas natural contienen aromatizantes artificiales agregados específicamente para la detección de fugas de gas combustible.

Si se produce una pérdida de gas, debería ser capaz de oler el gas combustible. **ESA SERÁ LA SEÑAL PARA ACTUAR DE INMEDIATO.**

- No realice acciones que puedan encender el gas combustible. No accione interruptores eléctricos. No tire de cables de corriente ni alargues. No encienda fósforos ni ninguna otra fuente de fuego. No use su teléfono.
- Haga que todos salgan del edificio y que se alejen del área inmediatamente.
- Cierre todas las válvulas de suministro de combustible.
- El gas propano es más pesado que el aire y puede asentarse en áreas bajas. Cuando tenga motivos para sospechar que existe una fuga de gas propano, manténgase alejado de todas las áreas bajas.
- Use el teléfono de un vecino y llame a su proveedor de gas combustible y a su departamento de bomberos. No vuelva a entrar al edificio o al área.
- Permanezca fuera del edificio y alejado del área hasta que los bomberos y su proveedor de gas combustible la declaren segura.
- **POR ÚLTIMO**, deje que el experto en servicio de artefactos de gas combustible y los bomberos realicen una inspección en busca de gas. Solicite que ventilen el edificio y el área antes de que vuelva a entrar. Técnicos de mantenimiento adecuadamente capacitados deben reparar la fuga, controlar que no haya otras fugas, y volver a encender el calefactor.

## El olor se disipa; no se detecta olor

- Algunas personas no tienen un buen olfato. No pueden percibir el olor del químico artificial agregado al gas propano o natural. Debe determinar si es capaz de sentir el aromatizante que se agrega a estos gases combustibles.
- Aprenda a reconocer el olor del gas propano y del gas natural. Los vendedores locales de gas propano y su proveedor local de gas natural (empresa de servicio público) estarán más que contentos de proporcionarle un folleto del tipo "raspe y huele". Úselo para familiarizarse con el olor del gas combustible.
- Fumar puede disminuir su capacidad para oler. Estar en contacto con emanaciones de olor durante un tiempo determinado también podría afectar su sensibilidad a ese olor en particular.
- El aromatizante del gas propano y el gas natural es incoloro y la intensidad de su olor puede disiparse en algunas circunstancias.
- Si hay una fuga subterránea, el paso del gas a través del suelo puede filtrar el aromatizante.
- La intensidad del olor del gas propano puede diferir en intensidad en diferentes niveles. Dado que el gas propano es más pesado que el aire, puede haber más olor en niveles más bajos.
- Siempre tome en serio la más mínima presencia de olor a gas. Si aún detecta algún tipo de olor a gas, no importa lo poco que sea, trátelo como si fuera una fuga seria. Actúe de inmediato, como se explicó anteriormente.

## ¡Atención! Puntos críticos que debe recordar.

- El gas propano y tiene un olor característico. Aprenda a reconocer estos olores. (Consulte las secciones previas: "Olor a gas combustible" y "El olor se disipa").
- Si usted no ha sido capacitado apropiadamente en la reparación y el mantenimiento
- Aunque no cuente con capacitación para el mantenimiento y la reparación de calefactores, SIEMPRE debe reconocer el olor del gas propano y el gas natural.

Una prueba de detección activa alrededor del calefactor o en las juntas de este; es decir manguera, conexiones, etc., es una buena práctica de seguridad. Si huele aunque sea una cantidad muy pequeña de gas, LLAME INMEDIATAMENTE A SU PROVEEDOR DE GAS COMBUSTIBLE. NO DEJE PASAR TIEMPO.

1. No intente instalar, reparar ni arreglar este calefactor o la línea de suministro de gas a menos que se capacite de manera continua con expertos y tenga conocimientos sobre calefactores a gas.

### REQUISITOS PARA REALIZAR SERVICIO Y LA INSTALACIÓN:

- a. Para ser una persona calificada en mantenimiento de calefactores a gas, debe contar con suficiente capacitación y experiencia para manejar todos los aspectos de la instalación, reparación y arreglo de la instalación del calefactor a gas. Esto incluye la tarea de instalación, resolución de problemas, reemplazo de piezas defectuosas y prueba del calefactor. Debe poder instalar el calefactor de manera que ofrezca un funcionamiento seguro y normal continuo. Debe familiarizarse completamente con cada modelo de calefactor mediante la lectura y el cumplimiento de instrucciones de seguridad, etiquetas, manual del usuario, etc. que se proveen con cada calefactor.
- b. Para ser una persona calificada para hacer instalaciones de gas, usted debe contar con suficiente capacitación y experiencia para manejar todos los aspectos de la instalación, reparación y modificación de líneas de gas, incluidas la selección e instalación del equipo apropiado, y la selección del tamaño adecuado de tubería y tanque que se utilizará. Esto debe realizarse conforme a los códigos locales, estatales y nacionales, además de los requisitos del fabricante.
- c. En el estado de Massachusetts, la instalación de este producto debe estar a cargo de un instalador de gas autorizado en dicho estado.

2. Todas las instalaciones o aplicaciones de los calefactores de L.B. White deben cumplir con todos los códigos locales, estatales y nacionales. Incluidos los códigos de electricidad, de gas natural y gas PL, y de seguridad Su proveedor local de gas combustible, un electricista local autorizado, el departamento de bomberos local u organismos gubernamentales similares, o su agente de seguros pueden ayudarlo a determinar cuáles son los requisitos de los códigos.

Consulte lo siguiente:

#### Instalaciones en los Estados Unidos:

- ANSI/NFPA 58 (última edición); estándar para el almacenamiento y la manipulación de gases licuados de petróleo o
- ANSI Z223.1/NFPA 54, Código nacional de gas combustible
- ANSI/NFPA 70, Código nacional de electricidad.

#### Instalaciones en Canadá:

- CSA B149.1 Código de instalación de gas natural y propano.
- CSA C22.1 Parte 1, Código de electricidad de Canadá estándar y CSA C22.2 No. 3, Características eléctricas de los equipos con quema de combustible.

3. La empresa no puede prever todos los usos que se les pueden dar a nuestros calefactores. Otros estándares rigen el uso de gases combustibles y productos de calefacción en aplicaciones específicas. Su autoridad local puede asesorarlo respecto de estos. Consulte a la autoridad local contra incendios si tiene preguntas sobre las aplicaciones.
4. No lave el interior del calefactor. Use solamente aire comprimido, un cepillo suave o un paño seco para limpiar el interior del calefactor y sus componentes.
5. Por motivos de seguridad, este calefactor está equipado con un interruptor de límite superior de restablecimiento manual, un interruptor de comprobación de aire y una válvula de control de gas redundante. Nunca haga funcionar el calefactor con dispositivos de seguridad desactivados. No haga funcionar el calefactor a menos que todas estas características estén en pleno funcionamiento.
6. No ubique contenedores de gas combustible ni mangueras de suministro de combustible dentro de un radio de 20 ft/6,10 m de la salida del soplador del calefactor.
7. No bloquee las entradas de aire ni las válvulas de descarga del calefactor. Si lo hiciera, podría producir una combustión inadecuada o daños en los componentes del calefactor, lo que provocaría daños materiales.

8. Debe revisarse visualmente el conjunto de la manguera todos los días después de la reubicación del calefactor y cuando esté en uso. Si hay indicios evidentes de abrasión o desgaste excesivos, o si la manguera está cortada, esta debe reemplazarse antes de hacer funcionar el calefactor. El conjunto de la manguera debe protegerse de los materiales de construcción y del contacto con superficies calientes durante el uso. El conjunto de repuesto de la manguera debe ser el que especifique el fabricante. Vea la lista de piezas.
9. Los calefactores Premier 350DF están equipados con una válvula selectora de gas. La válvula selectora de gas debe estar correctamente posicionada para que se suministre gas al calefactor. En la página 17 de este manual, se proporciona más información sobre esta característica.
10. Controle que no haya fugas de gas y que el funcionamiento sea adecuado tras la instalación del calefactor, al reubicarlo y luego del servicio. Consulte las instrucciones para la verificación de fugas en la sección sobre instalación de este manual.
11. Este calefactor será inspeccionado por una persona calificada en mantenimiento, para determinar que su funcionamiento sea correcto antes de cada uso y por lo menos una vez al año.
12. Siempre corte el suministro de gas del calefactor si no se usa para la calefacción del lugar de trabajo.
13. Este calefactor está equipado con un enchufe de tres clavijas (conexión a tierra) para brindar protección contra el riesgo de descargas eléctricas, y se debe conectar directamente a un tomacorriente de tres clavijas con una conexión a tierra apropiada. Si no se usa un tomacorriente con una conexión a tierra adecuada, se pueden producir descargas eléctricas que podrían ocasionar lesiones o la muerte.
14. Si se interrumpe el flujo de gas y se apaga la llama, no vuelva a encender el calefactor hasta estar seguro de que todo el gas que se pudo haber acumulado se haya ido. En cualquier caso, espere por lo menos 5 minutos para volver a encender el calefactor.
15. El calefactor requiere un tanque de 500 galones/1892 litros de propano como mínimo para obtener una presión de suministro de gas y un funcionamiento adecuados. Es posible que se requiera un tanque de mayor tamaño en función de las condiciones de funcionamiento en el lugar.
16. Cuando se guarde el calefactor en interiores, se debe desacoplar la conexión entre el contenedor de suministro de gas propano y el calefactor. También se deben retirar los cilindros del calefactor y se deben almacenar, según corresponda, conforme al estándar sobre almacenamiento y manipulación de gases licuados de petróleo, ANSI/NFPA 58 o CSA B149.1, del Código de instalación de gas natural y propano.
17. Los contenedores de suministro de gas propano tienen roscas hacia la izquierda. Utilice siempre la llave correcta para realizar una conexión a fin de ajustar o aflojar el adaptador POL del conector flexible en la válvula de suministro de gas del contenedor.

## Instrucciones generales de instalación



### ADVERTENCIA

#### Peligro de quemaduras

Puede causar daños materiales, lesiones graves o la muerte.

1. A fin de evitar la acumulación peligrosa de gas combustible, corte el suministro de gas en la válvula de servicio del artefacto antes de comenzar la instalación y lleve a cabo una prueba de fugas de gas después de realizar la instalación.
2. No fuerce la perilla de control de gas. Use solamente la mano para girar esta perilla. Nunca use herramientas. Si la perilla no funciona manualmente, el control debe ser reemplazado por un técnico de servicio calificado. El uso de fuerza o un intento de reparación puede provocar un incendio o una explosión.

1. Lea todas las precauciones de seguridad y siga las recomendaciones de L.B. White cuando instale este calefactor. Si durante la instalación o la reubicación del calefactor sospecha que una pieza está dañada o defectuosa, llame a un taller de mantenimiento calificado para que la repare o reemplace.
2. Asegúrese de que el calefactor esté nivelado (use un nivel) y correctamente posicionado antes de usarlo. Respete todas las distancias seguras mínimas del calefactor a los materiales combustibles más cercanos. Las distancias seguras se indican en la placa de datos del calefactor y en la página 4 de este manual.
3. Este calefactor se puede instalar en interiores o en exteriores. Para instalaciones en exteriores, solamente se pueden usar los siguientes dispositivos de distribución de aire:

- Conducto de 18 in/43,7 cm de diámetro x 12 ft/3,66 m: Pieza n.º 22835
- Difusor de extremo: Pieza n.º 23189

NO USE NINGUNA OTRA LONGITUD DE CONDUCTO NI CONDUCTOS FABRICADOS EN EL CAMPO, LONAS, TUBOS DE COCINA, ETC. EN ESTE CALEFACTOR.

- Al usar los conductos, asegúrese de mantener en un mínimo la cantidad de codos. Se permiten como máximo dos codos de 90°.
  - La reducción de la cantidad de codos garantiza que el aire caliente que sale del calefactor fluya libremente, con lo que se evita un sobrecalentamiento. Si hay una cantidad excesiva de codos, se pueden abrir los interruptores de límite superior.
4. El regulador de presión de gas del calefactor (con la válvula de descarga de presión) debe resguardarse contra condiciones climáticas adversas (lluvia, hielo,

nieve) y materiales de construcción (asfalto, hormigón, yeso, etc.) que podrían afectar el funcionamiento seguro y podrían producir daños materiales o lesiones.

5. Los calefactores que se utilicen cerca de lonas, telas, plásticos, barreras contra el viento o protecciones similares, deben ubicarse al menos a 10 ft/3,05 m de dichas protecciones. Las protecciones se deben sujetar firmemente a fin de evitar que se prendan fuego o alteren el funcionamiento del calefactor por la acción del viento sobre la protección u otro material.
6. Verifique todas las conexiones en busca de fugas de gas mediante detectores de fugas de gas aprobados. La prueba de fugas de gas se realiza de la siguiente manera:
  - Compruebe las conexiones de tuberías y mangueras, los conectores y los adaptadores del control de gas con detectores de fugas de gas aprobados.



### ADVERTENCIA

#### Peligro de incendio y explosión

- No use llamas (fósforos, sopletes, velas, etc.) para comprobar si hay fugas de gas.
- Use únicamente detectores de fugas de gas aprobados.
- La inobservancia de esta advertencia puede derivar en situaciones de incendios o explosiones.
- Los incendios o las explosiones pueden ocasionar daños materiales, lesiones o la muerte.

- Si se detecta una fuga de gas, verifique que los componentes estén limpios y que el compuesto de tubería se haya aplicado correctamente antes de continuar con el ajuste.
- Además, ajuste las conexiones de gas según sea necesario para detener la fuga.
- Luego de verificar todas las conexiones y detener las fugas, encienda el quemador principal.
- Manténgase lejos mientras se enciende el quemador principal para evitar lesiones causadas por fugas escondidas que podrían provocar el retroceso de la llama.
- Con el quemador principal funcionando, verifique las conexiones de tuberías y mangueras, los conectores y las juntas, además de la entrada de la válvula de control de gas y las conexiones de salida con detectores de fugas de gas aprobados.

- Si se detecta una fuga de gas, verifique que las roscas de los componentes estén limpias y que el compuesto de tubería se haya aplicado correctamente antes de continuar con el ajuste.
- Ajuste la conexión de gas según sea necesario para detener la fuga.
- Si fuera necesario, reemplace las piezas o componentes pertinentes si no puede detenerse la fuga.
- Asegúrese de que se hayan identificado y reparado todas las fugas antes de proceder.

7. Una vez instalado el calefactor, en un taller de mantenimiento calificado se debe verificar que la presión de gas de funcionamiento sea adecuada.
8. Encienda el calefactor según las instrucciones que se encuentran en este manual o en el manual del usuario.
9. Compruebe que el calefactor cuente con el regulador de gas adecuado para la aplicación. Se debe conectar un regulador al suministro de gas de modo que la presión de gas en la entrada a la válvula de gas esté regulada dentro del rango especificado en la placa de datos en todo momento.

**Calefactores Premier 350DF:** El regulador suministrado con el calefactor es apto para uso con gas propano o gas natural.

**Calefactores de gas propano Premier 350:** El regulador suministrado con estos calefactores está diseñado para uso específico con el combustible que se está utilizando.

Comuníquese con su proveedor de gas o con L.B. White Co., Inc. si tiene alguna pregunta.

10. Este calefactor está configurado para usarse únicamente con recuperación de vapor de gas PL. No use este calefactor en un sistema o aplicación de recuperación de líquido de gas PL. En caso de duda, comuníquese con L.B. White Co., Inc.
11. El calefactor debe instalarse de modo que no interrumpa ni obstruya las salidas normales, las salidas de emergencia, las puertas ni las pasarelas.
12. Se deben usar rejas, vallas o materiales adecuados a fin de mantener el equipo de calefacción alejado de las personas que usen y visiten la estructura.
13. Se debe ubicar el calefactor de manera que el drenaje de lluvia, hielo o nieve de la estructura no afecte el funcionamiento del equipo. Si el calefactor se monta afuera, se lo debe montar por encima de cualquier acumulación de agua o agua estancada. Si la unidad se dispone sobre el suelo,

se recomienda usar una zanja circundante a fin de drenar la lluvia, el hielo o la nieve lejos de la unidad.

14. Cuando se utilice el calefactor en exteriores, se deberán eliminar del suelo y el terreno circundante la vegetación y otros materiales inflamables.
15. Eventualmente, como ocurre con todos los dispositivos eléctricos/mecánicos, el termostato puede fallar. Una falla en el termostato puede hacer que la calefacción resulte insuficiente. Se debe probar el termostato para comprobar que encienda y apague el calefactor con una diferencia de temperatura de  $\pm 3^\circ\text{F}$  ( $\pm 1,5^\circ\text{C}$ ).
16. Tómese el tiempo necesario para aprender a hacer funcionar y mantener el calefactor usando el manual del usuario. Asegúrese de conocer la manera de cerrar el suministro de gas del edificio y también del calefactor. Contáctese con su proveedor de gas combustible si tiene alguna duda.
17. Cualquier defecto que encuentre al realizar cualquiera de los procedimientos de mantenimiento debe eliminarse y las piezas defectuosas deben reemplazarse de inmediato. El calefactor debe ser sometido a pruebas nuevamente por personal de servicio calificado antes de su reutilización.

## Tamaño del suministro de gas

La vaporización del propano se ve afectada por numerosos factores: la superficie del contenedor, el nivel líquido del propano, la temperatura alrededor del contenedor y la humedad relativa. Todos estos factores son específicos para el lugar de trabajo. Por lo tanto, se requiere determinado nivel de experiencia y criterio para seleccionar el suministro de propano adecuado.

Si bien la experiencia es la mejor guía, se pueden aplicar las recomendaciones siguientes como punto de partida. La tabla se basa en experiencias en regiones climáticas septentrionales, en las cuales se imponen condiciones de frío y humedad elevada en el invierno. Si se imponen condiciones más o menos favorables en un lugar de trabajo específico, se pueden realizar ajustes tomando como base la experiencia.

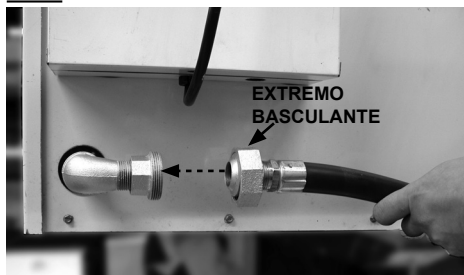
<b>Suministro de gas recomendado</b>	
<b>TAMAÑO DEL TANQUE</b>	<b>CALEFACTORES/ TANQUE</b>
500 galones /1892 litros	1
1000 galones /3784 litros	2

Si se utiliza más de un contenedor de suministro de gas por calefactor, los contenedores deben conectarse entre sí mediante un colector a fin de permitir la extracción del vapor de manera simultánea desde múltiples contenedores. El sistema del colector debe cumplir con la norma NFPA 58 o CSA B149.1.

## Conexión de la manguera al calefactor

1. Enrosque el extremo basculante en el conector de la entrada de gas del calefactor. Vea la Fig. 1. Ajustelo bien.
2. La manguera puede enrollarse y colgarse en el soporte para manguera, con el regulador dentro del soporte de almacenamiento del regulador.

**FIG. 1**



## Conexión del regulador al suministro de gas

### CUANDO SE USE GAS PROPANO:

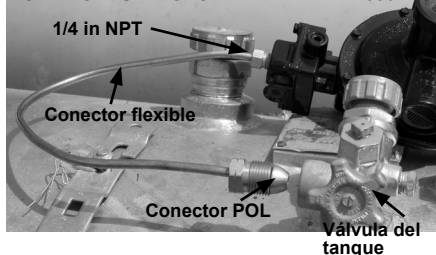
1. Levante la tapa del tanque.
2. Ensamble los componentes de gas como se muestra, según el tipo de calefactor. Ajuste bien las conexiones. Vea la Fig. 2 para los calefactores Premier 350DF, y la Fig. 3 para los calefactores PL Premier 350 LP estándar.

**FIG. 2**



**FIG. 3**

### CONEXIONES DE GAS PL DE PREMIER 350



3. Forme con precaución el conector para garantizar que el regulador quede sostenido por el tanque y la tapa de la válvula del tanque protegerá el regulador de las condiciones climáticas..
4. Enrosque el adaptador POL del conector en el sentido opuesto al de las agujas del reloj en la válvula del tanque. Ajustelo bien. Consulte la Fig. 2 o la Fig. 3.
5. Abra la válvula del tanque.
6. Verifique todas las conexiones con un detector de fugas aprobado. Cierre la tapa del tanque.
7. Cuando se almacene o transporte el calefactor, se debe garantizar que el adaptador del conector esté protegido contra daños y contra la entrada de suciedad.

### CUANDO SE USE GAS NATURAL:

- El regulador solo debe usarse si la presión de suministro de gas hacia el calefactor supera la presión de entrada máxima que se indica en la placa de datos del calefactor.
- Conecte el regulador tal como se proporciona con el calefactor a la línea de suministro de gas natural con las conexiones adecuadas. (NO USE EL CONECTOR POL/FLEXIBLE PARA INSTALACIONES DE GAS NATURAL).
- La presión de suministro de gas al regulador debe ser de un mínimo de 2 PSI/13,7 kPa.
- El regulador suministrado con el calefactor Premier 350 DF también se usa con gas natural.



# Termostato

El termostato remoto que se envía con el calefactor viene conectado de fábrica al circuito de control.

## **Calefactores Premier 350 DF:**

El termostato tiene un diseño de etapa simple. Cuando se produce una demanda de calor desde el termostato, el termostato enciende y apaga el calefactor para brindar la potencia calórica máxima.

## **Calefactores de gas propano Premier 350:**

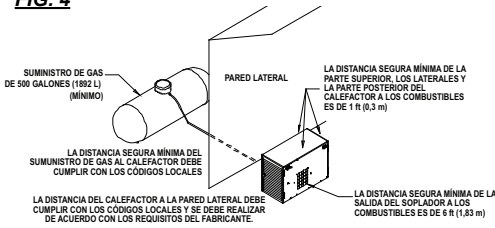
El termostato es un dispositivo de etapa doble diseñado para abarcar una amplia variedad de requisitos de calefacción.

El termostato de etapa doble permite utilizar el calefactor en aplicaciones en las que no se desea una potencia de calor alta. El termostato de etapa doble permitirá al calefactor funcionar y realizar ciclos con calor bajo cuando la carga de calefacción sea menor. De lo contrario, realizará ciclos con calefacción máxima a medida que aumente la demanda.

# Instalación del calefactor

## Estructura interior

FIG. 4



## Estructura exterior

(Accesorios de distribución de aire: no se proporcionan con el calefactor).

### A. Juego de conductos flexibles

Número de pieza: 22835 (18 in x 12 ft/46 cm x 3,65 m)

1. Extienda el juego de conductos a una longitud de 12 ft/3,6 m.
2. Monte el conducto en una salida de soplador del calefactor. Para ello, inserte las aletas del adaptador del conducto en las ranuras verticales y horizontales que se encuentran en la parte superior y en los laterales de la salida del soplador. Vea la Fig. 5. Empuje el adaptador del conducto para asegurar el adaptador en las ranuras. Vea a continuación una instalación típica de un calefactor colocado en el exterior.

Cuando se usan conductos flexibles de 12 ft/3,65 m, el número máximo de conductos flexibles para usar por calefactor es 3. La Fig. 6 muestra una instalación típica.

FIG. 5

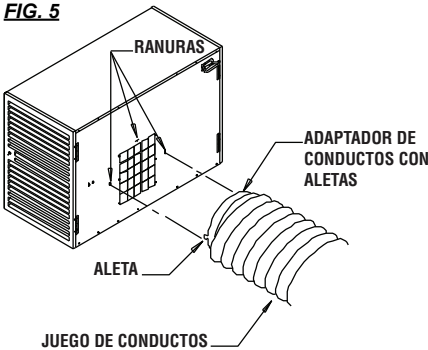
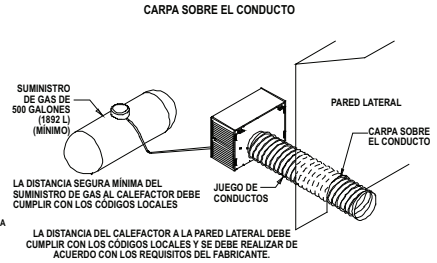


FIG. 6

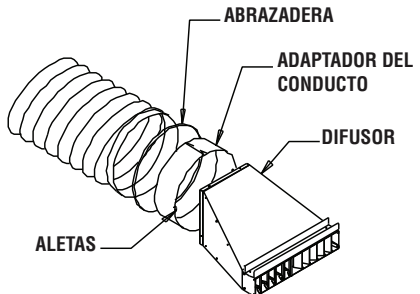


### B. Difusor de extremo

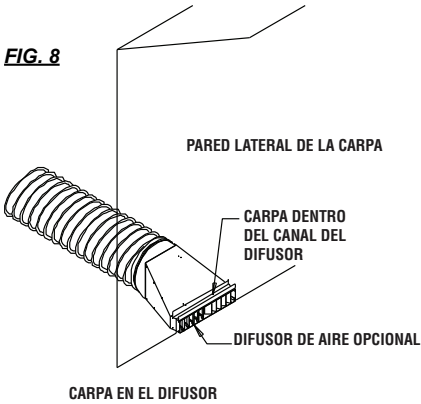
Número de pieza: 23189

1. Afloje el tornillo de la abrazadera de conductos de modo que se pueda colocar fácilmente la abrazadera sobre los rebordes que se encuentran en el extremo del conducto flexible.
2. Deslice el adaptador del conducto en el extremo del conducto. Las aletas del adaptador del conducto deben estar mirando en dirección opuesta al conducto y están ubicadas en las posiciones del reloj 3, 9 y 12 en punto. Vea la Fig. 7.
3. Ajuste la abrazadera del tornillo de modo que el adaptador quede fijo dentro del conducto.
4. Inserte las aletas del adaptador en las ranuras de la parte posterior del difusor de aire.
5. Empuje el adaptador de modo que las aletas queden correctamente asentadas en el difusor de aire.
6. Ubique el difusor debajo de la pared lateral. Vea la Fig. 8.

FIG. 7



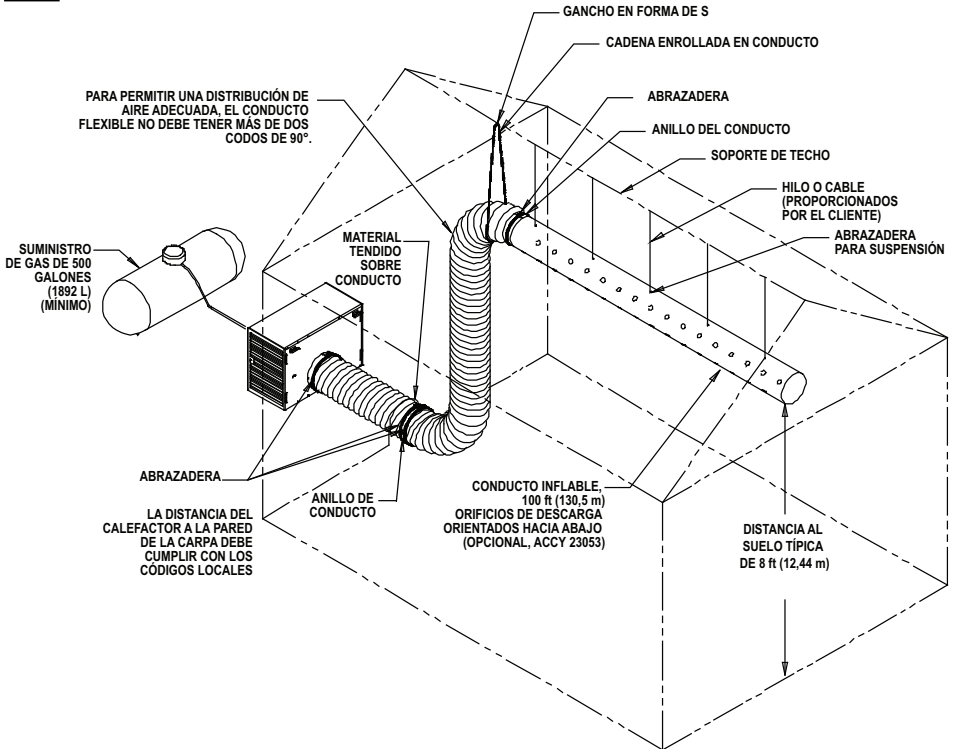
**FIG. 8**



**C. Conductos inflables**

Si usa conductos inflables, use solamente dos conductos flexibles.

**FIG. 9**



## Instrucciones de puesta en marcha

Para la puesta en marcha inicial luego de la instalación del calefactor, siga los pasos 1-5. Para la puesta en marcha normal, ajuste el control del termostato por encima de la temperatura ambiente.

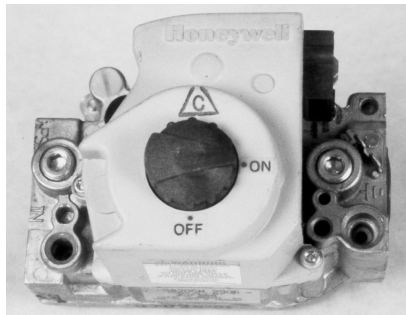
1. Conecte el cable eléctrico a un tomacorriente aprobado.
2. Ajuste el termostato en la temperatura ambiente deseada.
3. En la parte posterior del calefactor, hay un conmutador selector. Este conmutador le permite calefaccionar o ventilar (sin calefacción). Vea la Fig. 10 para conocer las posiciones del conmutador selector.

**FIG. 10**



### A. Funcionamiento del modo de calefacción

- a. Abra todas las válvulas de suministro de combustible manuales. Verifique si hay fugas de gas con un detector de fugas aprobado. Independientemente del modelo adquirido, la válvula de control de gas del calefactor cuenta con una característica de cierre manual incorporada en el conjunto de la válvula. Asegúrese de que el indicador esté en la posición de encendido. Vea la Fig. 11, se muestra la válvula de Premier 35DF.



- b. Coloque el conmutador selector en la posición de calefacción. Vea la Fig. 10. Se encenderá una luz roja dentro del conmutador. Arrancará el motor del ventilador, el encendedor generará una chispa y se producirá el encendido. El termostato hace pasar el calefactor por ciclos de encendido y apagado tomando como base el ajuste de temperatura.

### B. Funcionamiento del modo de ventilación

Cuando se pone el interruptor selector en la posición de ventilación, la luz roja NO está encendida. El motor del ventilador arranca, pero el encendedor no generará chispas y no se producirá el encendido. Esta función solamente se usa si se requiere circulación de aire. El calefactor no realiza el ciclo en el ajuste del calefactor. A fin de interrumpir la función de ventilación, ubique el interruptor en la posición de apagado o de calefacción.

#### C. Desactivado

Coloque el interruptor en el punto medio.

### ATENCIÓN

- Es normal que quede aire atrapado en la manguera de gas en instalaciones nuevas. Es posible que se produzca más de intento de encendido antes de que el aire finalmente se purgue de la línea y la unidad se ponga en marcha.
4. La placa de control de encendido de chispa directa (DSI) de este calefactor incluye características de autodiagnóstico. La placa funciona junto con un diodo de emisión de luz (L.E.D.) integrado en el interruptor selector. El L.E.D. parpadeará con un patrón de destello continuo y específico, según el problema que se produzca. Asocie el patrón de destello específico que muestra el L.E.D. con la etiqueta de solución de problemas que se encuentra en el interior del panel de acceso de la cubierta del quemador del calefactor. La etiqueta de solución de problemas identifica las causas de un problema, ya que relaciona un patrón de destello específico con una solución para corregir el problema. Consulte también "Datos de solución de problemas" en este Manual del usuario.
  5. Válvula de control de gas

#### Calefactores Premier 350 DF:

El control de gas tiene un diseño de etapa simple. Cuando se abre la válvula, se brinda la potencia calorífica máxima.

#### Calefactores de gas propano Premier 350:

La válvula de control de gas tiene un diseño de apertura por etapas. Cuando se produce una demanda de calor, la válvula se abre con una proporción igual a la mitad de la potencia calorífica total. Según los requisitos

de temperatura y los ajustes del termostato, la válvula permanecerá con una potencia calorífica baja antes de que el termostato esté abastecido, o la válvula se abrirá por completo con la capacidad total.

- No exceda el valor de entrada que se indica en la placa de datos ni la presión del orificio del quemador recomendada por el fabricante para los orificios empleados. Compruebe que el suministro de aire primario del quemador principal esté abierto y libre de polvo, suciedad y residuos para una combustión completa y adecuada.

## Instrucciones de apagado

Si se debe apagar el calefactor para limpieza, mantenimiento o reparación, siga los pasos 1-5. De lo contrario, ajuste el termostato a una temperatura más baja que la temperatura ambiente para un apagado estándar. **No apague el calefactor con el interruptor selector. Si lo hace, se interrumpirá la corriente al calefactor y no se podrá enfriar la cámara de calor. El interruptor de límite superior del extremo del quemador se activará.**

- Cierre la válvula de suministro de gas.
- Permita que el calefactor quemé el gas combustible que quede en la línea de suministro.
- Ajuste el termostato por debajo de la temperatura ambiente. **Cuando el termostato apague el quemador, el motor del ventilador continuará funcionando durante un minuto, lo que permitirá el enfriamiento de la cámara de calor. Después de un minuto, el motor del ventilador se apagará.**
- Ubique el interruptor selector en la posición de apagado 0.
- Desconecte el calefactor del suministro eléctrico y de gas.

## Válvula selectora de gas Solamente Premier 350 DF

- Esta función permite que el calefactor funcione con gas natural o propano sin modificar el orificio del quemador. La válvula selectora de gas se encuentra entre la válvula de control de gas y el quemador. La selección de gas se realiza mediante la reubicación de la manija de la válvula. **ESTA NO ES UNA VÁLVULA DE CIERRE DE GAS MANUAL.**
- Consulte las Fig. 12 y 13. La manija de la válvula debe posicionarse de manera adecuada según el tipo de gas específico que se use. De lo contrario, se puede ocasionar una condición de calentamiento insuficiente o recalentamiento de la unidad.

FIG. 12



FIG. 13



- Para el correcto funcionamiento, manija debe posicionarse totalmente a 90° (gas propano) o en sentido paralelo al flujo de gas (gas natural). No haga funcionar el calefactor con la manija de la válvula entre una de las posiciones. De lo contrario, el funcionamiento será incorrecto.
- La manija de la válvula puede bloquearse para evitar el posicionamiento incorrecto. Use los orificios proporcionados en el cuerpo y la manija de la válvula. Vea la Fig. 14.

FIG. 14



## Instrucciones de limpieza

### ADVERTENCIA

#### Peligro de incendio, quemaduras y explosión

- Este calefactor contiene componentes eléctricos y mecánicos en los sistemas de administración de gas, seguridad y flujo de aire.
- Estos componentes pueden dejar de funcionar o experimentar fallas debido a factores como el polvo, la suciedad, el desgaste, el envejecimiento o los ambientes corrosivos de los edificios destinados a animales.
- La limpieza e inspección periódicas, así como un mantenimiento adecuado, son fundamentales para prevenir lesiones graves o daños materiales.

1. Antes de la limpieza, apague todas las válvulas de suministro de gas y desconecte el suministro eléctrico.
2. Se debe eliminar el polvo o la suciedad del calefactor periódicamente:
  - a. Antes de cada uso, realice una limpieza general del calefactor aplicando aire comprimido, un cepillo suave o un paño seco a la caja y los componentes internos. Al hacerlo, quite el polvo de la caja del motor para impedir que se recaliente.
  - b. Realice una limpieza profunda del calefactor por lo menos una vez al año. Cuando la haga, retire el conjunto del ventilador y el motor, y quite el polvo del conjunto de las aspas del ventilador con un cepillo o mediante soplado. Además, compruebe que no se acumule polvo en los puertos venturi de la entrada de aire del quemador ni en la pieza fundida.

### ADVERTENCIA

No use una lavadora a presión, agua ni una solución de limpieza líquida en los controles de gas. El uso de una lavadora a presión, agua o una solución de limpieza líquida en los componentes de control puede causar lesiones graves o daños materiales por acción del agua o de los líquidos:

- En los componentes y los cables eléctricos, pueden causar descargas eléctricas o fallas en los equipos.
- En las válvulas de control de gas, pueden generar corrosión, que a su vez puede ocasionar fugas de gas y, debido a estas, incendios o explosiones.

Limpie todos los componentes del calefactor con aire a presión o un cepillo o paño seco.

# Instrucciones de mantenimiento

## ANTES DE CADA USO:

- Controle la superficie alrededor del calefactor para garantizar que esté despejada y que no haya en ella materiales inflamables, gasolina u otros líquidos y vapores inflamables.
- Solicite a su proveedor de gas que revise todas las conexiones de gas en busca de fugas o restricciones en las líneas de gas.
- Inspeccione la ventilación del regulador para asegurarse de que esté libre de obstrucciones. Los residuos, los insectos, los nidos de insectos, la nieve o el hielo depositados o acumulados en un regulador pueden obstruir las ventilaciones y generar presión excesiva en el calefactor.
- Controle todos los terminales y los componentes eléctricos relacionados con el cableado dentro del calefactor en busca de corrosión, desgaste o cortes en el aislamiento, desajustes en las conexiones, etc. Realice reparaciones o reemplazos según sea necesario.
- Verifique el conjunto de la manguera después de la instalación y la instalación del calefactor, y cuando este se encuentre en uso. Si hay indicios evidentes de abrasión o desgaste excesivos, o si la manguera está cortada, esta debe reemplazarse antes de hacer funcionar el calefactor nuevamente.
- Controle la correa de transmisión del ventilador del calefactor. Compruebe que la correa no esté agrietada. Si es así, reemplácela. Además, garantice que la correa no se esté deslizando, que la tensión de la correa sea adecuada y que las poleas estén bien alineadas y no estén desgastadas.
- Verifique la legibilidad de todas las indicaciones del calefactor (es decir, diagramas de cableado, advertencias, puesta en marcha, apagado, resolución de problemas, etc.) en el momento del mantenimiento. Asegúrese de que no estén cortadas, rasgadas ni dañadas de otro modo. Comuníquese de inmediato con L.B. White Co., Inc. para reemplazar las indicaciones dañadas. Las placa de datos, las advertencias y las instrucciones de encendido y apagado se encuentran disponibles sin costo.

## MENSUALMENTE

- Lubrique los rodamientos una vez por mes. Use litio de aceite mineral NLGI grado 2 o grasa con base de litio.

## CADA AÑO:

- Limpie y controle el encendedor y el sensor de llamas en busca de grietas. Reemplace si fuera necesario.
- Los reguladores pueden desgastarse y funcionar de manera incorrecta. Pida a su proveedor de gas que verifique los códigos de fecha que figuran en todos los reguladores instalados y las presiones que llegan al calefactor para asegurarse de que los reguladores sean confiables.
- Pruebe los interruptores de calor de límite superior y restablecimiento manual para garantizar que funcionen correctamente. (Consulte las instrucciones de prueba de este manual para el procedimiento).

## Instrucciones de servicio

### **ADVERTENCIA** Peligro de quemaduras

- Las superficies del calefactor permanecen calientes durante un tiempo luego de que se apaga el calefactor.
- Deje que el calefactor se enfríe antes de realizar tareas de servicio, mantenimiento o limpieza.
- Si no se cumple con esta advertencia, se pueden producir quemaduras.

### **ADVERTENCIA** Peligro de incendio y explosión

- No desarme ni intente reparar componentes del calefactor o del tren de gas, como las válvulas o las mangueras.
- Todas las piezas deben reemplazarse si se encuentran defectos en ellas.
- De lo contrario, se pueden producir incendios o explosiones que podrían ocasionar daños materiales, lesiones o la muerte.

1. Cierre la válvula de suministro de combustible del calefactor y desconecte el suministro eléctrico antes de realizar el mantenimiento, a menos que lo necesite para el procedimiento de servicio.

2. Limpie el orificio del calefactor con aire comprimido o un paño suave y seco. No use limas, taladros, raspadores, etc. para limpiar el orificio. Esto podría agrandar el orificio y causar problemas de combustión o encendido. Reemplace el orificio si no puede limpiarse adecuadamente.

3. Se pueden probar los interruptores de límite superior, el interruptor de calor/ventilación y el termostato mediante desconectando los cables en el componente y puenteándolos entre sí.

- Vuelva a conectar el suministro eléctrico y abra las válvulas de suministro de combustible.
- Si el calefactor se enciende, significa que existen desperfectos en el componente y debe reemplazarse.
- Si la pieza tiene fallas, no deje activo el puente ni haga funcionar el calefactor. Reemplace la pieza de inmediato.
- Un método alternativo para verificar los componentes consiste en realizar una verificación de continuidad.

4. No se deben aplicar puentes al interruptor de comprobación de aire. De lo contrario, el control de encendido no permitirá el funcionamiento del calefactor. Verifique la continuidad del interruptor de comprobación de aire. Si el interruptor es defectuoso, reemplácelo.

5. Abra el panel respectivo de la caja para acceder a los componentes relacionados con el ventilador o el quemador.

6. Para volver a realizar el montaje, invierta el procedimiento de mantenimiento respectivo. Asegúrese de que las conexiones estén bien ajustadas.

7. Después del mantenimiento, encienda el calefactor para asegurarse de que funcione adecuadamente y verifique que no haya fugas de gas.

8. Si se pierden llaves del ventilador o las poleas durante el mantenimiento, los reemplazos se hacen con un bloque de material de 3/16 in (4,7 mm) cuadrado x 1 in (2,54 cm). De lo contrario, solicite la pieza n.º 22955.

## Reemplazo de la correa

1. Quite la rejilla de protección del calefactor. Consulte la Fig. 15.

2. Gire la polea del ventilador en sentido horario levantando cuidadosamente la correa, de modo que esta despeje la garganta de la polea del ventilador. Ver Fig. 16.

3. Revise las poleas del ventilador y del motor para comprobar que no estén sucias. Límpielas si es necesario.

4. Cuando reinstale la correa, asegúrese de que las flechas estén dispuestas en sentido antihorario. Vea la Figura 17.

**FIG. 15**

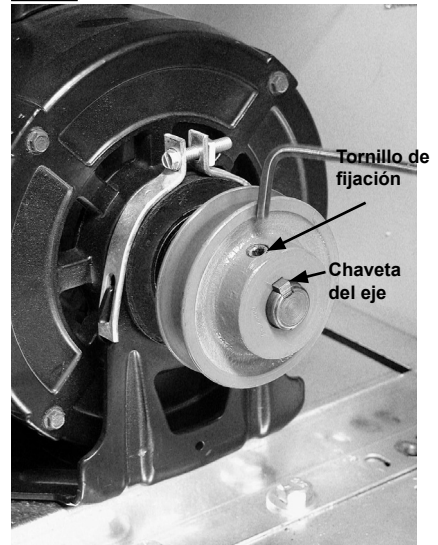




**FIG. 16****FIG. 17**

## Poleas del motor y el ventilador

1. Extraiga el protector de correa del calefactor.
2. Extraiga la correa de las poleas. Consulte Reemplazo de la correa
3. Afloje el tornillo de fijación de las poleas del ventilador y el motor con una llave Allen de 9/64 in. Vea la Fig. 18.
4. Extraiga las poleas y las chavetas del motor y el eje del ventilador.

**FIG. 18**

## Resolución de problemas de los componentes del impulsor del ventilador

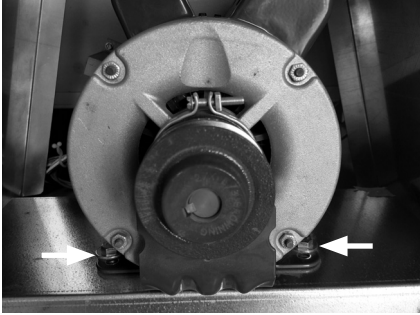
Consulte la siguiente tabla para identificar los problemas básicos, las causas y las soluciones asociadas con los sistemas de transmisión con correa en V.

<b>PROBLEMA</b>	<b>CAUSA</b>	<b>SOLUCIÓN</b>
<b>La correa patina</b>	Poleas desgastadas (las correas sobresalen en las ranuras)	Reemplace las poleas
	Aceite o grasa en la correa	Limpie las poleas o la correa.
<b>La correa se rompe</b>	Instalación incorrecta de la correa	La correa se sacó sobre las poleas con herramientas afiladas o en punta. Coloque correctamente la correa nueva.
<b>La correa se sale de la polea</b>	El impulsor está mal alineado	Controle y vuelva a alinear
<b>Ranuras</b>	Ingresa suciedad a la polea	Extraiga la correa, limpie las poleas
	La correa pega en el protector	Realinee el protector (compruebe que no haya tornillos faltantes o flojos en el protector)
<b>Agrietamiento de las correas</b>	Presencia de suciedad o grasa en la correa o correas viejas	Extraiga la suciedad o reemplace la correa.
<b>La correa se desgasta rápidamente</b>	La correa pega en el protector	Realinee el protector (compruebe que no haya tornillos faltantes o flojos en el protector)
	Poleas desgastadas	Reemplace las poleas
	Suciedad en las poleas	Quite la suciedad

## Motor del ventilador

1. Quite el protector de la correa.
2. Quite la correa del ventilador.
3. Quite los cuatro pernos y arandelas de las bridas de montaje del motor. Consulte la Fig. 19.

**FIG. 19**



4. Abra el panel de acceso de suministro eléctrico del motor y desconecte los cables de suministro eléctrico. Vea la Fig. 20.

**FIG. 20**

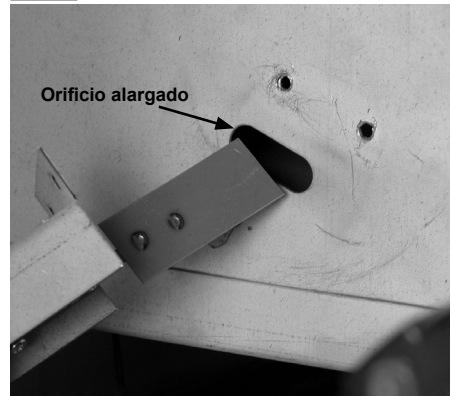


- Asegúrese de que las poleas del motor y el ventilador estén correctamente alineadas antes de ajustar las poleas al eje del motor.
- Consulte los procedimientos de alineación del manual.
- Los rodamientos del motor están permanentemente lubricados.

## Interruptor de comprobación de aire

1. El interruptor de comprobación de aire está ubicado en el panel lateral del recinto del ventilador, junto al motor del ventilador, dentro del extremo de la puerta tipo persiana del calefactor.
2. Extraiga los tornillos que sostienen el soporte del interruptor en el panel del recinto del ventilador y gire el conjunto del interruptor de modo que la paleta del brazo interruptor se pueda extraer a través del orificio alargado que se encuentra en el lateral del recinto del ventilador. Vea la Fig. 21.
3. Desconecte los cables del interruptor de comprobación de aire.

**FIG. 21**



Si los contactos del interruptor de comprobación de aire se cierran durante una demanda de calor antes de que se encienda el motor del ventilador o no se cierran después de que este se encienda, el encendedor no generará chispas ni se abrirá la válvula de gas.

## Control de encendido

El control envía y recibe voltajes para operar los componentes o verificar su operación. Consulte la siguiente información y la Fig. 22 para comprender las designaciones de los terminales del control de encendido si realiza verificaciones de voltaje en el control.

**L1:** voltaje de suministro de energía principal del control.  
**IND:** voltaje de suministro de energía principal del control al motor.

**LED:** conexión de cable a la luz roja del interruptor selector.

**MV:** 24 V de CA del control de encendido a los interruptores de límite superior y a la válvula de control de gas.

**PS2:** Retorno de 24 V de CA del interruptor de comprobación de aire al control de encendido.

**PS1:** 24 V de CA del control de encendido al interruptor de comprobación de aire.

**W:** Retorno de 24 V de CA del termostato al control de encendido

**FS:** sin terminal.

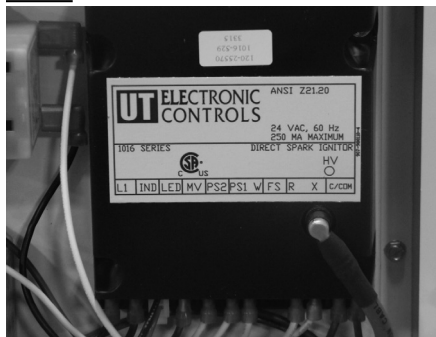
**R:** 24 V de CA desde el controlador de encendido hasta el termostato.

**X:** 24 V de CA del transformador al controlador de encendido (sin 24 V de CA, el controlador no funcionará)

**C/COM:** conexión a tierra para el transformador y el control de encendido.

También consulte "Secuencia de funcionamiento" en este manual según sea necesario para comprender el funcionamiento del control de encendido durante una demanda de calor.

**FIG. 22**



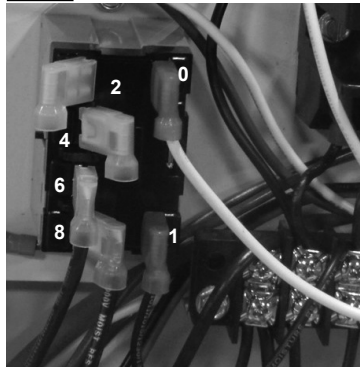
## Relé

El relé es el responsable del suministro de corriente al motor. Números adyacentes a sus terminales macho para referencia del voltaje recibido y suministrado para la resolución de problemas. Consulte la conexión del cableado y las verificaciones de voltaje en la Fig. 23 y en la siguiente tabla.

Terminal	Función
2	No se usa.
4	No se usa.
6	115 V de CA desde el relé hasta el motor del ventilador
8	115 V al relé desde el suministro de energía
0	Neutro para el relé
1	115 V de CA desde el controlador de encendido (IND) hasta el relé para el cierre de la bobina

Si el relé recibe 115 V en el terminal 8 del suministro de energía, además de los 115 V del control de encendido en el terminal 1, pero no se suministra voltaje al motor del terminal 6, entonces el relé presenta desperfectos.

**FIG. 23**

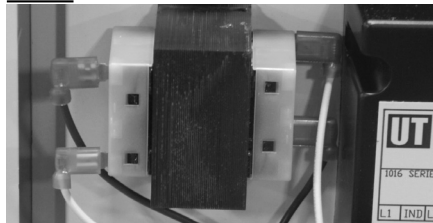


## Transformador

El transformador reduce el voltaje del suministro de energía principal FIG. 24 a 24 V de CA para el funcionamiento del control de encendido.

Con un suministro de 24 V de CA del transformador, el control de encendido no funcionará y tampoco lo hará el calefactor.

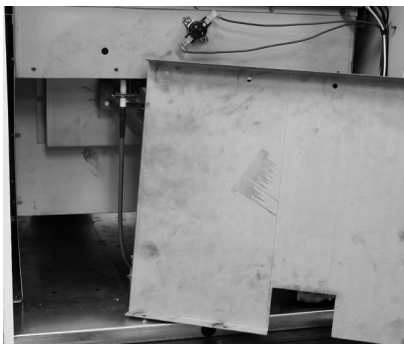
**FIG. 24**



## Conjunto del encendedor

1. Extraiga el panel de acceso al quemador. Vea la Fig. 25.

**FIG. 25**

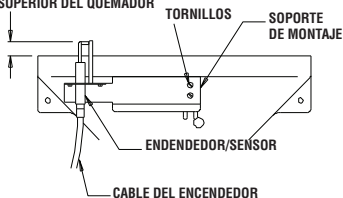


2. El conjunto del encendedor está ubicado en la parte superior de la pieza fundida del quemador. Retire los dos tornillos que fijan el soporte de montaje al quemador. Vea la Fig. 26.

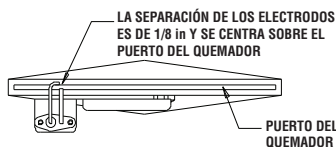
**FIG. 26**

### VISTA FRONTAL

ENCENDEDOR DE 3/16 in (4 mm) DESDE LA PARTE INFERIOR DEL ENCENDEDOR HASTA LA PARTE SUPERIOR DEL QUEMADOR

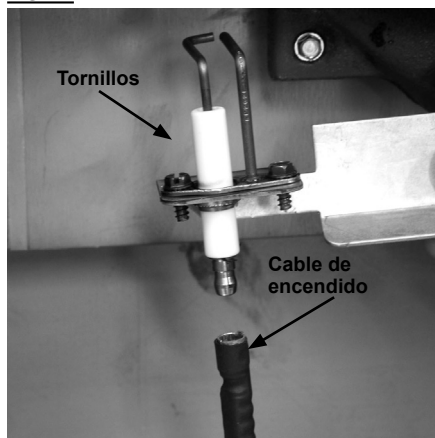


### VISTA SUPERIOR



3. Desconecte el cable de encendido de voltaje alto. Extraiga los tornillos. Vea la Fig. 27.

**FIG. 27**



Se deben limpiar el encendedor y el vástago de conexión a tierra durante el mantenimiento de rutina para que el encendido sea correcto.

- Use lana de metal o tela de lija.
- Frótelas bien para eliminar la acumulación de polvo, la suciedad y el óxido.

■ Verifique la base de cerámica del encendedor en busca de grietas.

- Reemplace el encendedor si se encuentran grietas.

## Restablecimiento manual de los interruptores de límite superior

### **⚠ ADVERTENCIA** Peligro de quemaduras

- No haga funcionar el calefactor con el interruptor de límite superior desactivado.
- Si lo hace, se puede generar recalentamiento, lo cual podría derivar en un incendio y, en consecuencia, daños en el calefactor o daños materiales.

Este calefactor tiene dos interruptores de límite. Uno está ubicado en el extremo del quemador del calentador en la cámara de calor. Vea la Fig. 28. El otro interruptor está ubicado en el recinto del ventilador detrás del motor del ventilador. Vea la Fig. 29.

**FIG. 28**



**FIG. 29**



Su función es apagar el calefactor de manera segura en caso de que este se recaliente.

### Límite superior del extremo del quemador:

Protege el quemador y el cableado asociado contra el recalentamiento producido por una presión de gas excesiva.

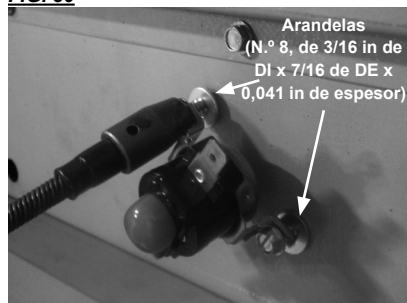
**Límite del extremo del motor:** Protege contra el recalentamiento si el conducto está retorcido u obstruido, o si la entrada de aire está bloqueada.

Los interruptores están conectados en serie y desconectan la energía a la válvula de control de gas si cualquiera de ellos detecta una condición de recalentamiento.

Ambos interruptores de límite superior se deben probar como mínimo una vez al año cuando se realiza la limpieza profunda del calefactor.

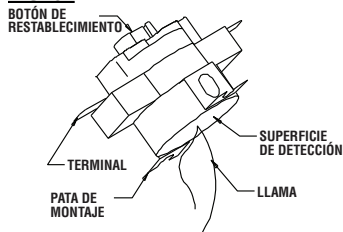
1. Extraiga los interruptores de límite alto del calefactor. Extraiga también la tapa roja de ambos interruptores. El interruptor de límite del extremo del quemador tiene una arandela ubicada entre cada pata del interruptor de límite y la cámara de calor. Las arandelas actúan como separadores y evitan que el interruptor se active prematuramente. Ambos se deben reinstalar después de que se realice esta prueba. Vea la Fig. 30.

**FIG. 30**



2. Sosteniendo un interruptor por una de sus patas de montaje, aplique una llama pequeña solamente a la zona de detección de la parte posterior del interruptor. Vea la Fig. 31. Actúe con precaución para no derretir el recinto de plástico del interruptor durante esta prueba.

**FIG. 31**



3. En un plazo de un minuto, debería oír que los contactos del interruptor se han abierto.

- Deje que el interruptor se enfríe durante aproximadamente 1 minuto antes de presionar con firmeza su botón de restablecimiento. Vuelva a colocar la tapa roja en el interruptor.
- Compruebe la continuidad eléctrica en los terminales del interruptor para asegurarse de que se hayan cerrado los contactos.

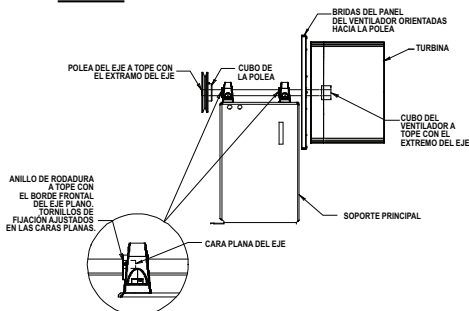
## Turbina, rodamientos y eje

- Quite lo siguiente.
  - Protector de la correa y correa.
  - Pernos y arandelas que aseguran la plataforma del rodamiento en la base del calefactor.
  - Tornillos que aseguran el panel del ventilador al recinto del ventilador.
- Deslice el conjunto completo para extraerlo del calefactor.
- Reemplace los componentes según sea necesario.
- Cuando los reinstale, asegúrese de que el eje del ventilador quede a tope con el cubo del ventilador. Vea la Fig. 33.

**FIG. 32**



**FIG. 33**



## Orificio del quemador y válvula de control de gas

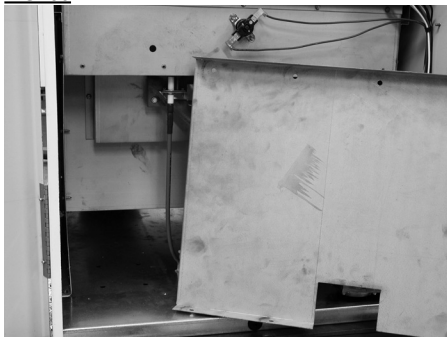
- Extraiga la manguera y el niple del tubo de la entrada de la válvula de control.
- Abra la puerta del extremo del quemador.
- Extraiga los tornillos del bastidor del control de gas y desconecte el cableado eléctrico de la válvula de control. Vea la Fig. 34.

**FIG. 34**



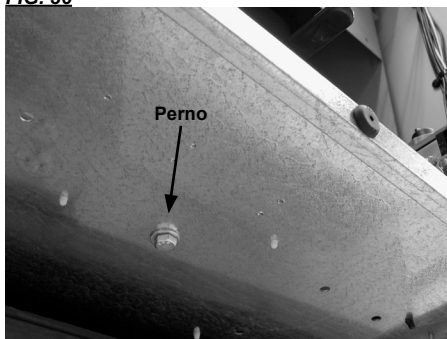
- Extraiga el panel de acceso al quemador. Vea la Fig. 35.

FIG. 35



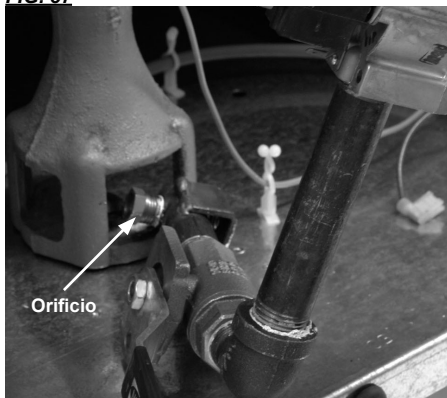
5. Retire el perno de retención del quemador de la parte inferior de la base del extremo de control de gas del calefactor. Vea la Fig. 36.

FIG. 36



6. Levante y gire el conjunto del tren de gas para exponer el orificio del quemador. Consulte la Fig. 38. Se muestra la unidad de doble combustible. Reemplace la válvula de control o el orificio si es necesario.

FIG. 37



#### ATENCIÓN

■ A continuación, se explica un procedimiento típico que se debe seguir para verificar las presiones de gas.

## Verificaciones de la presión de gas

### **⚠ ADVERTENCIA** Peligro de quemaduras

- No desarme la válvula de control de gas.
- No intente reemplazar ningún componente de la válvula de control de gas.
- La válvula de control de gas se debe reemplazar si se produce algún daño físico en el conjunto de esta.
- Si no se cumple con esta advertencia, se producirán incendios o explosiones que podrían derivar en situaciones de daños materiales, lesiones o muerte.

- Las presiones de gas variarán distintas según el tipo de combustible.
- Consulte la placa de datos del calefactor o la página 4 de este manual para hallar las presiones específicas que se deben usar en relación con este procedimiento.
- La presión de gas medida en la entrada de la válvula de gas es la presión de entrada, y la presión de gas medida en la salida de esta es la presión del colector del quemador.

### MATERIALES NECESARIOS

Cantidad	Descripción
2	Manómetros para gas con capacidad para leer hasta 35 in de columna de agua/8,7 kPa. (Producto disponible en L.B.White Company si se desea)

### A. Preparación

1. Desconecte el calefactor del suministro eléctrico y cierre la válvula de suministro de combustible al calefactor.
2. Abra el panel de acceso a la caja en el extremo del quemador del calefactor.
3. Cepille o sople el polvo o la suciedad que haya en la válvula de control del gas o cerca de esta.

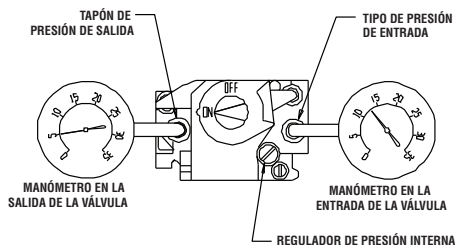
### B. Instalación de los manómetros

1. Localice los tapones de presión de control de gas. Vea la Fig. 38 para las válvulas de etapa simple o la Fig. 39 para válvulas de etapa doble. Quite los tapones de presión con una llave Allen de 3/16 in.
2. Conecte los manómetros en estos puntos de manera segura.
3. Abra las válvulas de suministro de combustible del calefactor y vuelva a conectar el suministro eléctrico del calefactor.

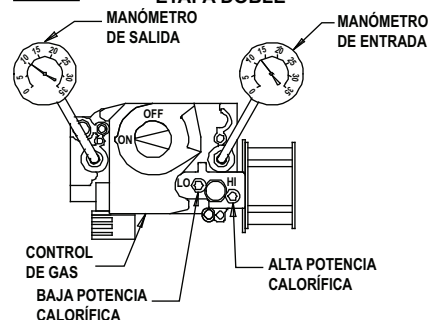


4. Encienda el calefactor.

**FIG. 38** ETAPA SIMPLE



**FIG. 39** ETAPA DOBLE



## C. Lectura de presiones

1. Con el calefactor funcionando, los manómetros deberían indicar las presiones especificadas en la placa de datos.
2. ¿Las lecturas de los manómetros de entrada y salida concuerdan con las que se especifican en la placa de datos? Si así fuera, entonces no se necesitan más verificaciones ni ajustes. Siga a la sección D.
3. Si las presiones de entrada no concuerdan con las que se especifican en la placa de datos, se deberá ajustar el regulador que controla la presión de gas del calefactor.
4. Si la presión de entrada es correcta, pero la presión del colector del quemador no concuerda con la que se especifica en la placa de datos, es necesario ajustar el regulador de presión interno de la válvula de control de gas.

## Calefactor Premier 350DF:

- Extraiga la tapa del regulador en la válvula de control.
- Con un destornillador estándar, gire el tornillo de ajuste en el sentido de las agujas del reloj (para aumentar la presión) o en el sentido opuesto (para reducir la presión) hasta que se establezca la presión del colector del quemador.
- Instale la tapa del regulador.
- Continúe con FINALIZACIÓN.

## Calefactor de gas propano Premier 350:

- Gire el termostato hasta su punto de ajuste más bajo.
- Quite la tapa de los tornillos de ajuste de potencia calorífica alta y baja del regulador de presión de dos etapas en la válvula de control de gas.
- Gire lentamente el termostato hacia arriba hasta que la lectura de presión no sea superior a 2 in de columna de agua/0,49 kPa en el manómetro de salida.
- Si se observan presiones inferiores a estas, será necesario configurar el ajuste de bajo poder calorífico del regulador en el control de gas.
- Gírelo en el sentido de las agujas del reloj para aumentarlo o en el sentido opuesto para reducirlo.
- Gire el termostato completamente hacia arriba.
- Debe ver que la presión de gas aumenta de 2 in de columna de agua/0,49 kPa a baja potencia calorífica hasta 8 in de columna de agua/2 kPa en la configuración de potencia calorífica alta.
- Si se observan presiones inferiores o mayores a estas, se debe ajustar la configuración de potencia calorífica alta en el sentido de las agujas del reloj o en el sentido opuesto según corresponda hasta que se alcance la presión adecuada.

## D. Finalización

1. Una vez que se confirmen y ajusten de manera adecuada las presiones de entrada y del colector del quemador, cierre la válvula de suministro de combustible del calefactor y deje que este consuma el gas restante en la línea de suministro.
2. Desconecte el calefactor de su suministro eléctrico y cierre la válvula de suministro de combustible.
3. Extraiga los manómetros.
4. Instale los tapones de presión.
5. Abra la válvula de suministro de combustible y reconecte el suministro eléctrico al calefactor. Encienda el calefactor y verifique si hay fugas de gas.
6. Ajuste el termostato en la temperatura deseada.

# Guía de resolución de problemas

## LEA TODA ESTA SECCIÓN ANTES DE COMENZAR A RESOLVER PROBLEMAS.



### ADVERTENCIA

- Este calefactor puede encenderse en cualquier momento.
- Para resolver cualquier problema que presente este sistema, tal vez sea necesario hacer funcionar la unidad con voltaje de línea presente y el gas encendido. Proceda con extrema precaución al trabajar en el calefactor.
- El incumplimiento de esta advertencia podría derivar en situaciones de daños materiales, lesiones o muerte.

En la siguiente guía de resolución de problemas se proporcionan procedimientos para el aislamiento de problemas del equipo. Esta guía está orientada a PERSONAS CALIFICADAS EN MANTENIMIENTO DE CALEFACTORES A GAS. NO INTENTE REALIZAR EL MANTENIMIENTO AL CALEFACTOR A MENOS QUE HAYA RECIBIDO LA CAPACITACIÓN ADECUADA.

#### SE NECESITA EQUIPOS DE PRUEBA

Se necesitarán los siguientes equipos de prueba para resolver cualquier problema que presente este sistema con el mínimo tiempo y esfuerzo.

- **Multímetro digital:** para medir voltaje de CA y resistencia.
- **Manómetro de presión baja:** para verificar las presiones de entrada y salida de la válvula de control de gas con respecto a los valores de la placa de datos.
- Inspeccione el equipo visualmente en busca de daños evidentes.
- Verifique todo el cableado en busca de conexiones sueltas y desgastadas.

Consulte la secuencia de operación del sistema que se incluye en esta sección para comprender cómo funciona el equipo durante una demanda de calor. Comprender la secuencia de operación del módulo de encendido y los componentes relacionados es fundamental, dado que se asocia directamente con los procedimientos de resolución de problemas suministrados en los diagramas de flujo.

El módulo de control de encendido incluye características de autodiagnóstico. La luz roja, ubicada dentro del interruptor selector, destellará con un patrón de luz específico según el problema que se diagnostique. Para un uso eficaz de los diagramas de flujo, primero deberá identificar el tipo de problema sobre la base del patrón de luz de la luz de diagnóstico LED (diodo emisor de luz). Si la luz destella, el patrón será seguido de una pausa y luego la repetición del patrón de destellos, hasta que se corrija el problema. En las tablas siguientes, verá qué página debe consultar para la resolución de problemas.

La luz LED solo se encenderá cuando el interruptor selector esté en la posición CALOR y el valor de ajuste del termostato sea superior al de la temperatura ambiente. La luz no se encenderá cuando el interruptor selector esté en la posición VENTILACIÓN.

Problemas del modo de calefacción	Página
La luz LED no está encendida.....	32
La luz LED de diagnóstico está parpadeando:	
A. Una vez.....	33
B. Dos veces.....	34
C. Tres veces.....	35
D. Cuatro veces.....	35
E. Cinco veces.....	35

Problemas del modo de ventilación	Página
A. El motor no funciona.....	36
B. El motor hace un "zumbido", no funciona.....	36
C. El motor funciona con potencia de aire baja.....	36

Los componentes deben reemplazarse solo luego de que cada paso se haya completado y se sugiera el reemplazo en el diagrama de flujo. Consulte las secciones sobre mantenimiento, según sea necesario, para obtener información sobre los procedimientos de desarmado y reemplazo del componente una vez identificado el problema a través del diagrama de flujo.

### SECUENCIA DE FUNCIONAMIENTO DEL ENCENDIDO DIRECTO:

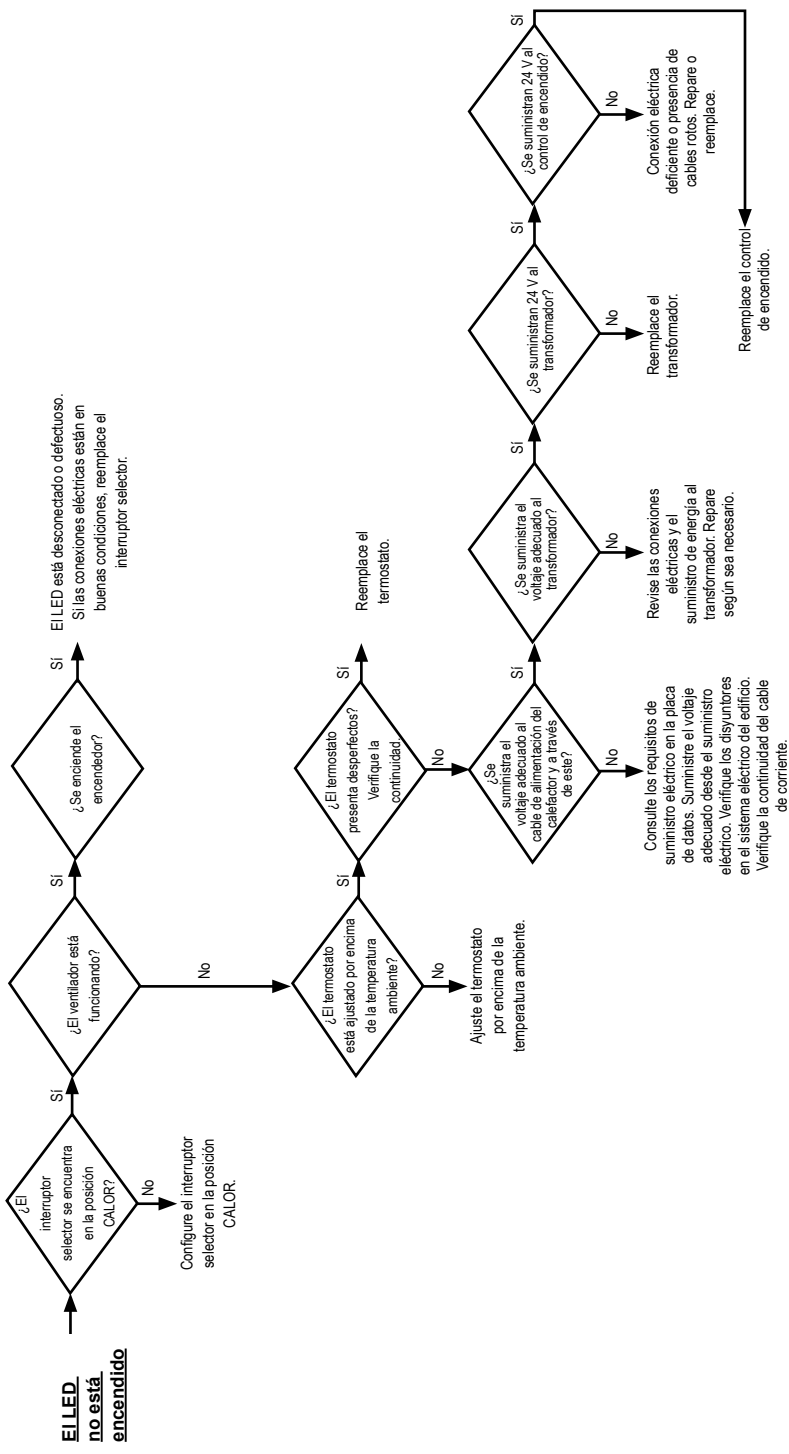
- El interruptor selector se encuentra en la posición CALOR.
- Se envía voltaje de línea al control de encendido y al transformador.
- El transformador reduce el voltaje de línea a 24 V, que se envía al termostato.
- El termostato demanda calor.
- El termostato envía 24 V al control de encendido.
  - Se ilumina la luz roja.
  - El módulo de control de encendido realiza una autoverificación de seguridad.
  - Se prueban los componentes internos.
  - Se verifica el circuito de comprobación de aire.
- El módulo control de encendido comienza la secuencia de prueba de encendido
- El módulo de control de encendido envía 24 V al interruptor de comprobación de aire.

- El control de encendido envía voltaje de línea al relé del motor.
- El relé del motor se cierra y se enciende el motor del ventilador.
- El interruptor de comprobación de aire se cierra y se devuelven 24 V al módulo de control de encendido.
- El módulo de control de encendido envía alto voltaje al electrodo del encendedor.
- El encendedor destella.
- El módulo de control de encendido envía 24 V al control de gas a través del interruptor de límite superior.
- La válvula de control de gas se abre.
- Se produce el encendido.
- El encendedor sigue destellando hasta que se aviva la llama.
- La chispa de encendido se apaga.
- La válvula de gas permanece abierta.
- El ambiente se calienta hasta la temperatura deseada.
- El termostato está abastecido.
- Se cierra el control de gas, se apaga el quemador.
- El motor del ventilador continúa funcionando durante 1 minuto y enfría la cámara de calor.
- El motor del ventilador se detiene.
- Se apaga el calefactor.
- El proceso comienza nuevamente con una demanda de calor.

#### **SECUENCIA DE FALLA EN EL ENCENDIDO:**

- La prueba de encendido lleva unos 10 segundos.
- Si el módulo de encendido no comprueba la llama dentro del quemador en la prueba de encendido, el módulo ingresa en un bloqueo de seguridad (patrón de 3 destellos).
- La válvula de gas se cierra.
- La chispa de encendido se apaga.
- El motor del ventilador se detiene.
- Para realizar otro intento de encendido, los sistemas deben reiniciarse:
  - Gire el termostato hacia abajo y luego hacia arriba para solicitar calor, desenchufe y vuelva a enchufar el calefactor o
  - Mueva el interruptor selector hasta la posición de apagado y luego nuevamente hasta la de encendido.

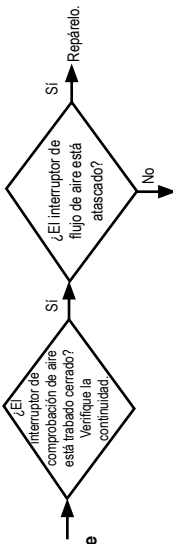
**LED está encendido permanentemente:** → **Funcionamiento normal**

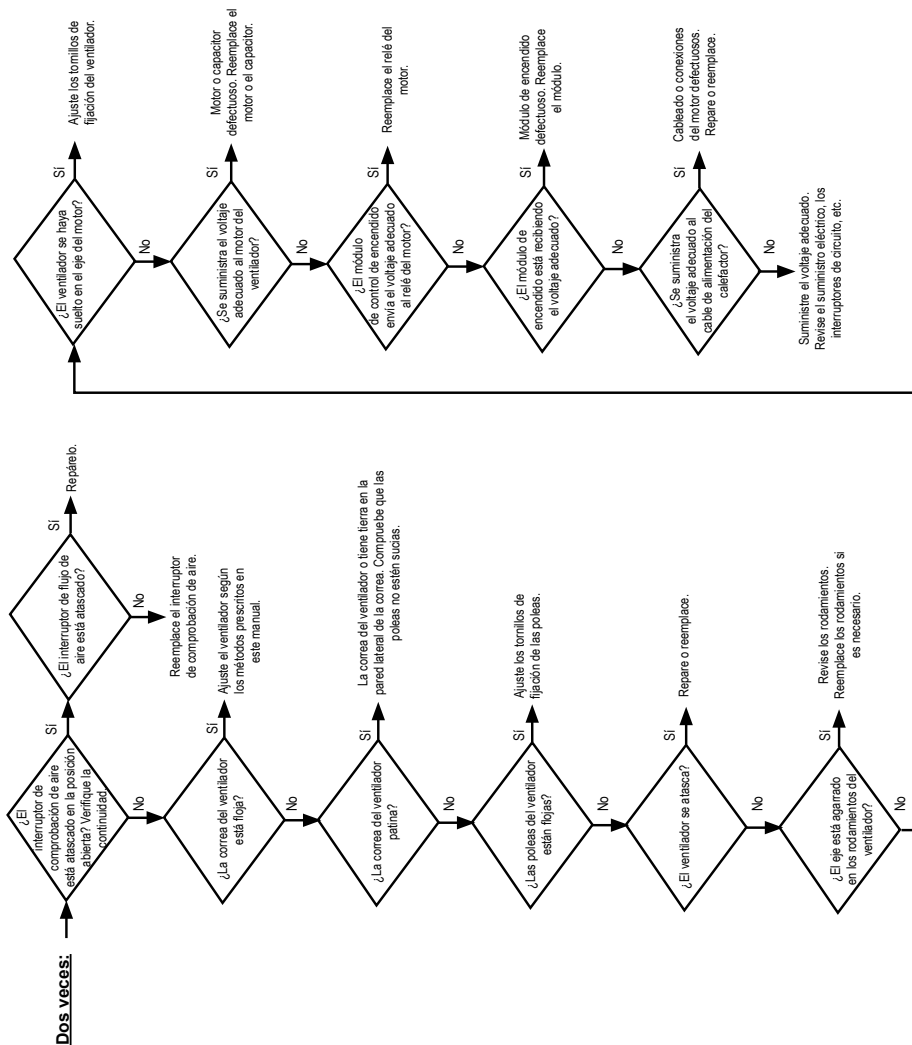


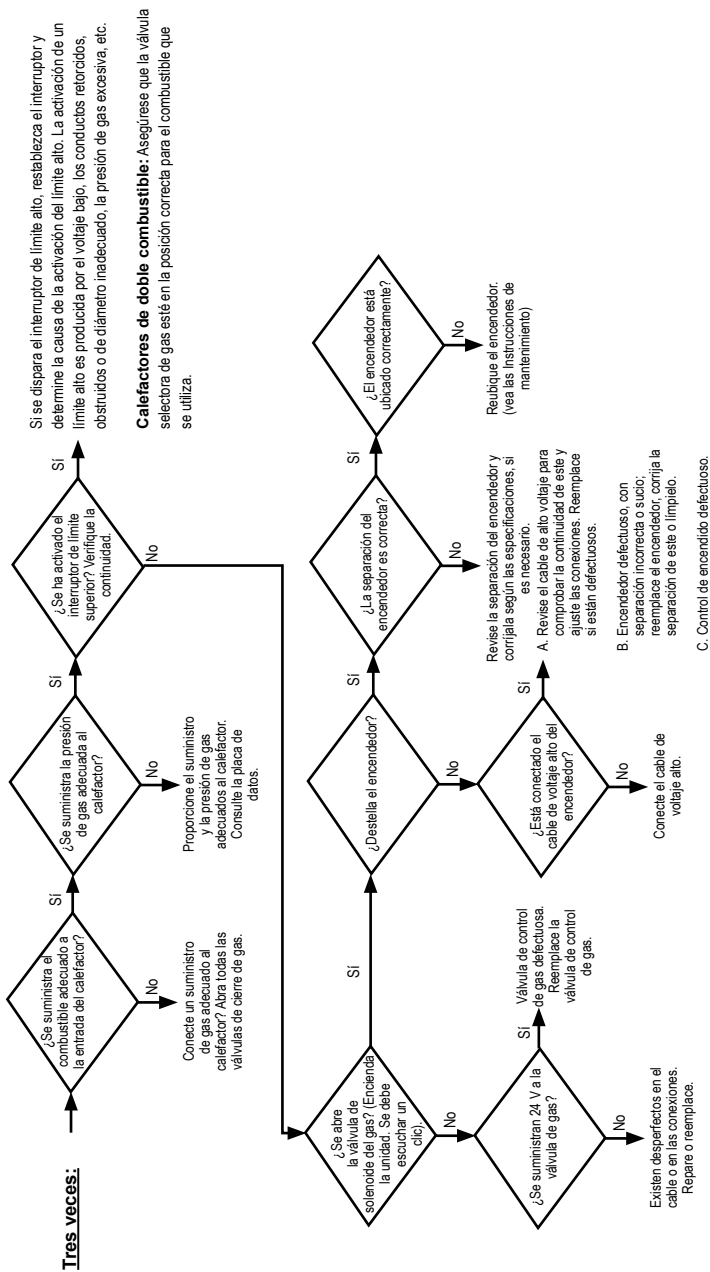
**El LED parpadea**

**Una vez:**

**Los contactos del interruptor de comprobación de aire se cierran antes de que se encienda el motor del ventilador.**



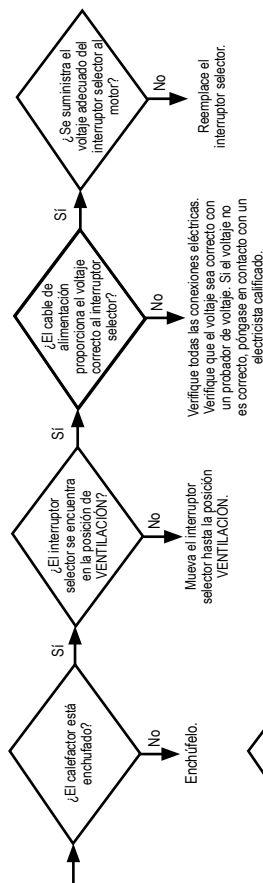




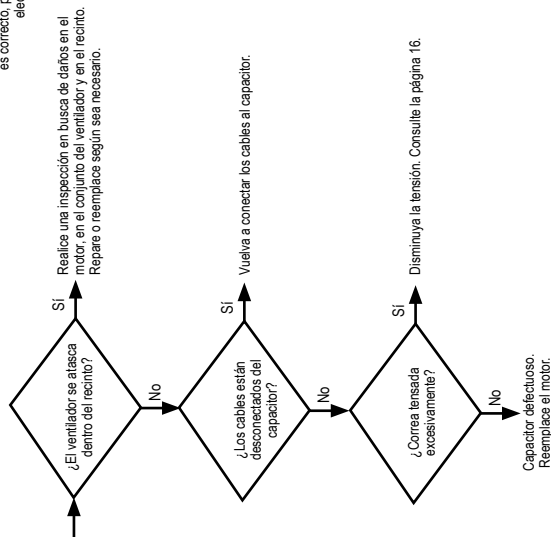
**Cuatro veces:** Problemas relacionados con el sensor de llama. Realice una inspección en busca de agrietamiento o suciedad en el sensor de llama, imperfecciones en el posicionamiento de este o deficiencias en la conexión a tierra del sensor de llama.

**Cinco veces:** Si el módulo de control no se reinicia, replácelo (fala de la placa interior). Si el módulo se restablece, entonces pídale a un electricista calificado que verifique la fuente de energía para detectar problemas de calidad de la energía (frecuencia, ruido de línea eléctrica, picos de línea eléctrica, conexiones flojas, calibre del alambre demasiado pequeño).

**Problemas:**  
**El motor no funciona**



**Problemas:**  
**El motor hace un zumbido, no funciona**



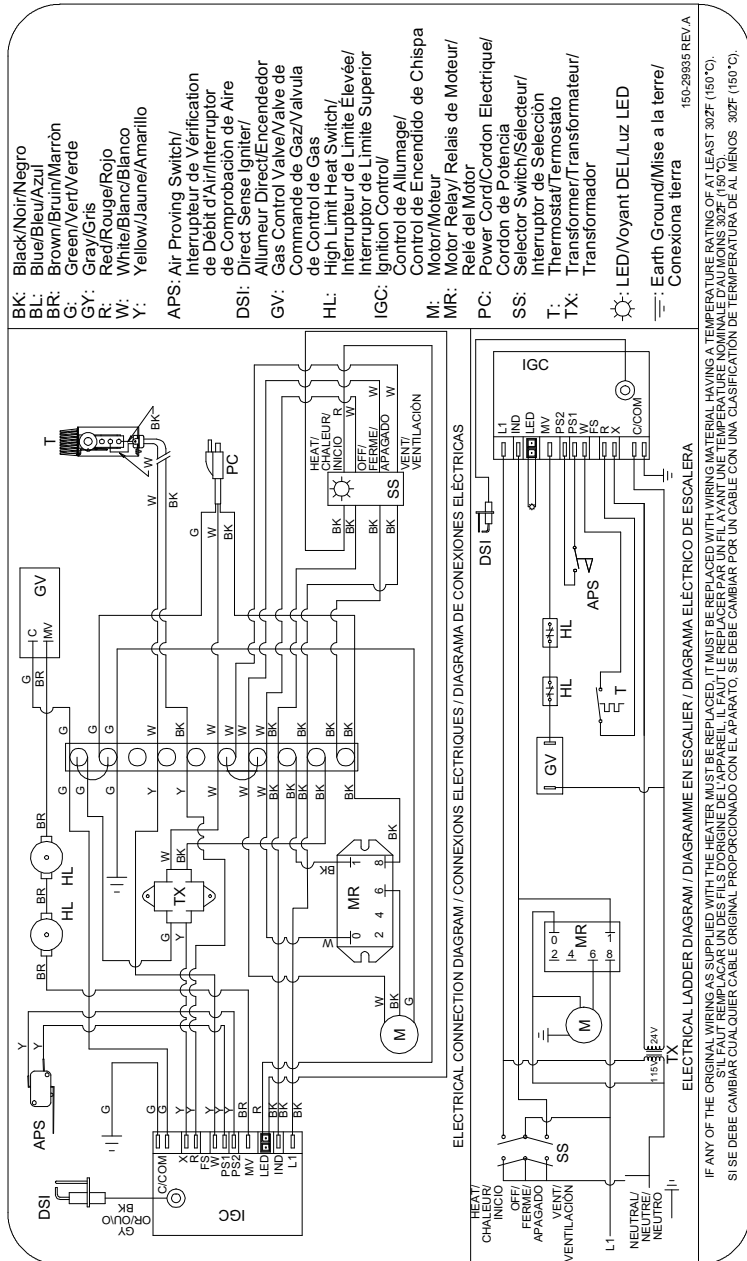
**Problemas:**  
**El motor funciona, pero con potencia de aire baja**

Revisar todos los componentes de transmisión para comprobar que no estén gastados. Revisar la correa para comprobar que no esté rota o que no irrite. Revisar las poleas para comprobar que estén bien alineadas, que no tengan suciedad en las ranuras, etc. Revisar el voltaje.



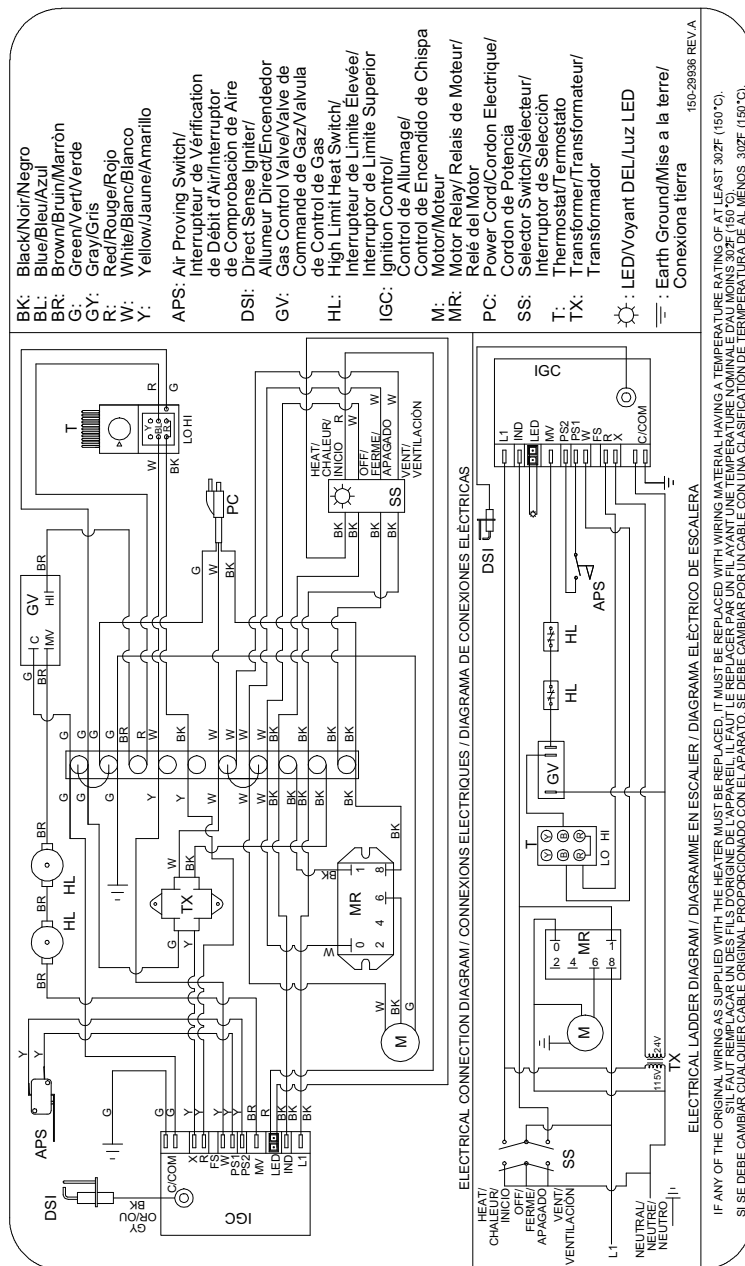
# Conexión eléctrica y diagrama de escalera

## Premier 350 DF



# Conexión eléctrica y diagrama de escalera

## Premier 350 de gas propano



## Función del componente del calefactor

### Interruptor de comprobación de aire

Dispositivo de seguridad empleado para asegurarse de lograr el flujo de aire adecuado antes de la apertura de la válvula de gas.

### Correa

Componente de accionamiento por fricción que se utiliza para transmitir energía desde el motor al eje del ventilador. Se usa junto con las poleas del motor y del ventilador.

### Quemador

Componente de hierro fundido utilizado para canalizar el gas y ofrecer un lugar donde se puede encender el combustible.

### Orificio del quemador

Dispositivo de medición de latón utilizado para suministrar gas al quemador a una velocidad específica.

### Módulo de control de encendido de chispa directa

Placa de circuitos electrónicos impresos que envía voltaje a varios controles en un sistema de encendido automático y recibe voltaje de estos. Una característica de seguridad importante de la placa de control es que apaga por completo el calefactor, y con ello detiene el flujo de gas combustible, si la llama del quemador se apaga.

### Recinto del ventilador

Cámara empleada para proporcionar aire a fin de ofrecer un movimiento de aire eficaz.

### Turbina

Componente utilizado en conjunto con el recinto del ventilador y el motor para traer el aire caliente del calefactor y soplarlo hacia el ambiente para calefacción (también se conoce como jaula de ardilla).

### Válvula de control de gas

Dispositivo eléctrico que consiste en un regulador de baja presión y solenoides eléctricos que se usan para controlar el flujo de gas del conjunto del quemador. Una característica de la válvula de control es un cierre de gas incorporado que se usa para aislar el calefactor del suministro de gas durante el servicio.

### Manguera de gas

Conector flexible utilizado para conducir gas desde la línea de suministro del edificio al calefactor.

### Válvula selectora de gas (calefactores de doble combustible únicamente)

Permite una fácil conversión de gas, en función del gas que se suministra en el lugar de trabajo. Elimina la necesidad de cambiar el orificio del quemador y de restablecer la válvula de control de gas.

### Cámara de calor

Cámara de combustión metálica situada dentro del artefacto que ofrece un área donde la llama del quemador se mezcla con el aire de combustión y, por lo tanto, suministra calor.

### Interruptor de límite superior

Dispositivo de seguridad cableado en el sistema de control que se usa para interrumpir un circuito eléctrico a la válvula de control de gas en caso de recalentamiento.

### Encendedor

Dispositivo de encendido empleado en los sistemas de control de encendido de chispa directa automática. Enciende el gas mediante chispa.

### Motor

Dispositivo eléctrico utilizado para forzar el aire precalentado a través del calefactor y hacer circular el calor en una determinada zona. Convierte la energía eléctrica en energía mecánica.

### Relé del motor

Componente eléctrico conectado entre el control de encendido y el motor. Se utiliza para suministrar voltaje al motor una vez que se recibe voltaje desde el control de encendido.

### Poleas

Los componentes del accionamiento por fricción ranurados responsables de transmitir energía desde el motor al eje del ventilador. Se usa junto con la correa en V.

### Regulador

Dispositivo mecánico utilizado en sistemas de distribución de gas natural y PL a fin de reducir una presión de entrada mayor hasta una presión más baja predeterminada. El regulador es responsable de suministrar una presión de salida continua al calefactor independientemente de los cambios en la presión de entrada, la demanda del calefactor y las condiciones climáticas.

### Interruptor selector

Dispositivo eléctrico que se emplea para permitir que el usuario final use el calefactor en una aplicación de calefacción o ventilación.

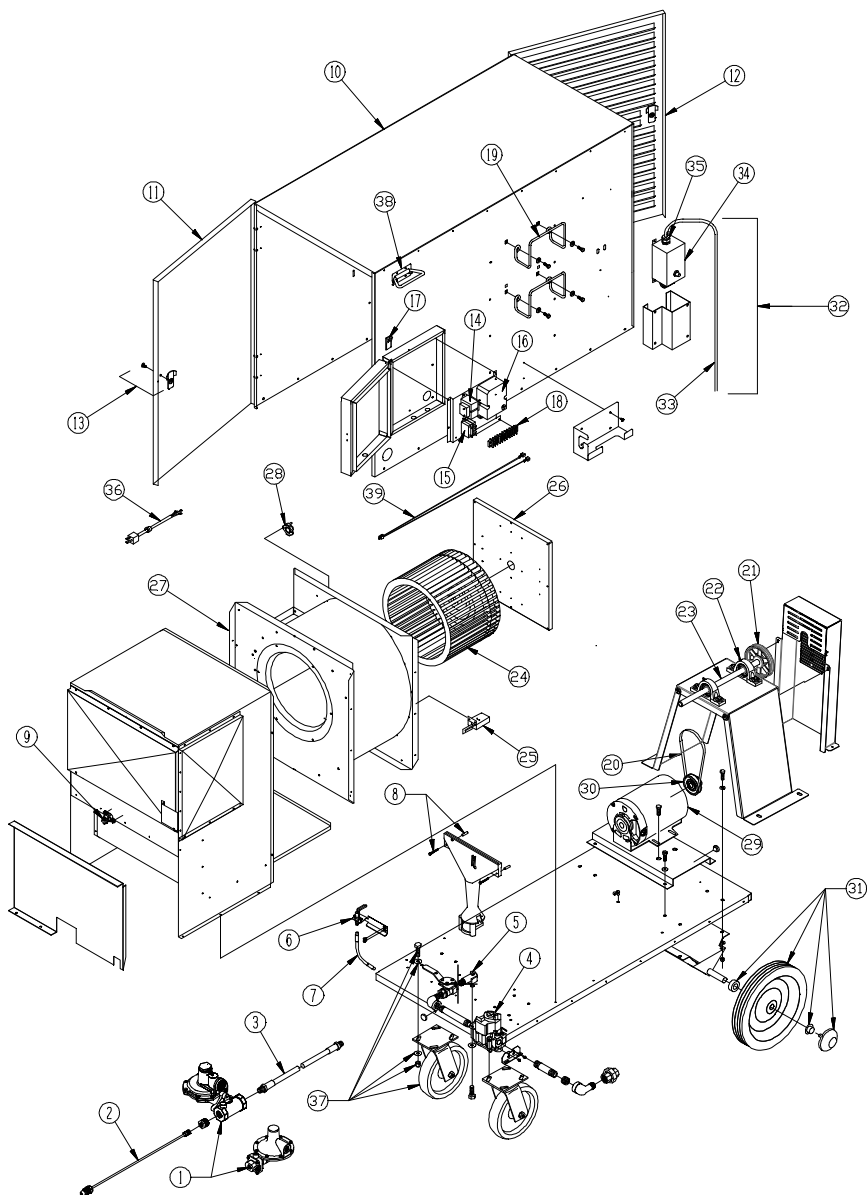
### Termostato

Dispositivo eléctrico empleado como interruptor automático de encendido y apagado. Responde a los cambios de temperatura en una zona determinada. Se puede cablear de modo que sus contactos se abran o cierren ante el aumento o la disminución de la temperatura.

### Transformador

Control eléctrico empleado para aceptar voltaje de suministro principal de línea y reducirlo a voltaje secundario más reducido.

# Diagrama de identificación de piezas de mantenimiento



Ítem	Descripción	Pieza número	
1	Regulador	Doble combustible	500-25141
		Gas propano	500-25767
2	Conector flexible	Calefactores de doble combustible y de gas propano	500-25766
3	Manguera, de 3/4 de DI x 15 ft		500-25965
4	Válvula, control de gas:	Doble combustible	500-24025
		Gas propano	523153
5	Orificio del quemador	Doble combustible	573715
		Gas propano	571140
6	Encendedor		571662
7	Cable, encendido		571206
8	Ferretería para montaje del quemador (2 tornillos y 2 separadores)		570211
9	Interruptor, límite superior, extremo del quemador (325 °F)		571262
10	Conjunto de caja		573472
11	Panel, acceso a la caja, quemador		573473
12	Panel, acceso a la caja, tipo persiana		573471
13	Pestillo		570228
14	Transformador		509615
15	Relé		570221
16	Control de encendido		500-25590
17	Interruptor, selector c/ LED		571411
18	Regleta de terminales		571259
19	SopORTE para manguera		571619
20	Correa		573716
21	Polea, ventilador		571303
22	Rodamiento, de apoyo (2 por número de pieza)		571294
23	Eje, 3/4 diám. con ranura de 3/16		571820
24	Ventilador		571309
25	Interruptor, comprobación de aire		571299
26	Panel, acceso al ventilador		573717
27	Recinto, ventilador c/ interruptor de límite superior y de comprobación de aire		571272
28	Interruptor, límite superior, ventilador, 190 °F		571400
29	Motor		571327
30	Polea, motor		571067
31	Juego de rueda (incluye 1 rueda ea., tapa de cubo, tapa de retención y separador)		571153
32	Juego de termostato con cable de 20 ft Premier 350		500-22920
	Premier 350 DF		500-20176

33	Cable, termostato	573718
34	Termostato Premier 350	500-23778
	Premier 350 DF	500-09381
35	Conector, estanco	570348
36	Cable, alimentación, 10 ft	571248
37	Rueda, giratoria con ferretería de montaje	571193
38	Manija, caja	571628
39	Mazo de cables, LED	571384

\*NO SE MUESTRA: Llave del ventilador para poleas del ventilador y del motor y eje del ventilador

22955

# Notas

# Política de garantía

## **CALEFACTOR**

L.B. White Company, LLC garantiza que las piezas de su calefactor estarán libres de defectos en los materiales y la mano de obra cuando se instalen, se hagan funcionar y se sometan a mantenimiento apropiadamente conforme a las Instrucciones de instalación y mantenimiento, las guías de seguridad, y las etiquetas de cada unidad. Si dentro de los 24 meses a partir de la fecha de compra por parte del usuario final se encuentran defectos en algún componente, L.B. White Company, LLC según su criterio, reparará o reemplazará la pieza defectuosa o el calefactor con una pieza o calefactor nuevos, FOB, Onalaska, Wisconsin.

Al registrar su producto en línea con L.B. White habilitará automáticamente una unidad y sus piezas componentes para la garantía. Si un producto no ha sido registrado con L.B. White, se requerirá una copia de la factura de venta para establecer una calificación de garantía. Si nada de lo anterior está disponible, el período de garantía será de 24 meses desde la fecha del envío por parte de L.B. White.

## **PIEZAS**

L.B. White Company, LLC garantiza que las piezas de repuesto compradas a la compañía y usadas en el correspondiente equipo L.B. White están libres de defectos tanto de materiales como de mano de obra durante 24 meses desde la fecha de compra por el usuario final. La garantía es automática si se encuentra que un componente está defectuoso dentro de los 24 meses del código de fecha marcado en la pieza. Si el defecto ocurre más de 24 meses después del código de fecha pero dentro de los 24 meses de la fecha de compra por el usuario final, se solicitará una copia de la factura de venta para que quede habilitada la garantía.

La garantía descrita arriba es la garantía exclusiva otorgada por L.B. White, y todas otras garantías, incluida cualquier garantía implícita o comerciabilidad o idoneidad para un propósito en particular, son expresamente denegadas. En el caso de cualquier garantía implícita que no esté eficazmente denegada en el presente

documento por efecto de la ley, tal garantía implícita está limitada en tiempo a la duración de la correspondiente garantía mencionada arriba. Los recursos establecidos arriba son los recursos exclusivos disponibles conforme al presente documento. L.B. White no será responsable por ninguno de los daños y perjuicios incidentales o emergentes directa o indirectamente relacionados con la venta, manipulación o uso del equipo, y en todo caso la responsabilidad de L.B. White con respecto al equipo, incluidos reclamos basados en negligencia o responsabilidad estricta, está limitada al precio de compra.

Algunos estados no permiten limitaciones respecto de la duración de una garantía implícita. Por lo tanto, la limitación de arriba podría no aplicarse a usted.

Algunos estados no permiten la exclusión o limitación de daños y perjuicios incidentales o emergentes; por lo tanto, la limitación o exclusión de arriba podría no aplicarse a usted. Esta garantía le otorga derechos legales específicos, y usted también podría tener otros derechos que varían de estado a estado.

Para registrar su producto y asegurarse la garantía completa, visite: [http://www.lbwhite.com/customer\\_care\\_center/product-registration/](http://www.lbwhite.com/customer_care_center/product-registration/). Por favor, tenga a mano el número o los números de serie y modelo de los productos que registrará.

## Mantenimiento

Póngase en contacto con su distribuidor local de L.B. White para acceder a repuestos y servicio. También puede llamar a L.B. White Company, LLC al 1-800-345-7200, para recibir ayuda, o enviar un correo electrónico a [customerservice@lbwhite.com](mailto:customerservice@lbwhite.com).

Cuando llame, asegúrese de contar con el número de modelo del calefactor y el número de configuración.



## **PROVEEDOR MUNDIAL; SOLUCIONES INNOVADORAS DE CALEFACCIÓN**

411 Mason Street, Onalaska, WI 54650

800-345-7200 • 608-783-5691

608-783-6115 (fax)

**[www.lbwhite.com](http://www.lbwhite.com)**





## Premier

® Appareils de chauffage canalisables

**TS350** 350 000 BTUH/102,6 kW  
**TS350DF** 350 000 BTUH/102,6 kW

À retrait de vapeur GPL ou mixte gaz-fuel

Lisez ce guide en ligne à l'adresse [www.lbwhite.com](http://www.lbwhite.com)

### Attention

Cet appareil a été testé et évalué par les laboratoires d'essais CSA Group conformément aux exigences de la norme ANSI Z83.7-2011/CSA 2.14 de 2011 et il est coté et approuvé à titre de fournaise gainable de radiateur de construction à air pulsé à circulation indirecte alimentée au gaz avec une application pour le chauffage temporaire de bâtiments en cours de construction, de rénovation ou de réparation. De plus, cet appareil de chauffage a été évalué et approuvé par le groupe CSA pour les utilisations de chauffage de tente avec occupation humaine temporaire au Canada et aux États-Unis. VÉRIFIER AUPRÈS DE VOTRE RESSOURCE LOCALE COMPÉTENTE EN MATIÈRE DE SÉCURITÉ-INCENDIE, VOTRE FOURNISSEUR DE GAZ COMBUSTIBLE, OU L.B. WHITE SI VOUS AVEZ DES QUESTIONS CONCERNANT LES APPLICATIONS.

[www.lbwhite.com](http://www.lbwhite.com)



NORTH AMERICAN MADE



### Félicitations!

Vous avez acheté le meilleur appareil de chauffage à circulation disponible. Votre nouvel appareil de chauffage de L.B. White intègre les avantages provenant du fabricant le plus expérimenté en produits de chauffage utilisant la toute dernière technologie de pointe.

Nous, chez L.B. White, vous remercions pour votre confiance en nos produits et accueillons vos suggestions ou commentaires... appelez-vous au 1-800-345-7200, ou envoyez-nous un courriel à [customerservice@lbwhite.com](mailto:customerservice@lbwhite.com).

**CONSULTEZ LES  
DIRECTIVES  
D'ASSEMBLAGE  
À L'INTÉRIEUR**

**Veuillez vous référer à  
l'information importante sur  
l'élévation de la couverture  
intérieure.**



**BALAYEZ CE CODE**

avec votre téléphone intelligent ou visitez <http://goo.gl/5j21G> pour consulter des vidéos de maintenance pour les appareils de chauffage L.B. White.\*

\* Requier une application comme QR Droid pour Android ou iPhone

**FOURNISSEUR INTERNATIONAL - SOLUTIONS DE CHAUFFAGE INNOVATEUR**

411 Mason Street, Onalaska, WI 54650 • 1-800-345-7200 • 608-783-5691 • 608-783-6115 (télécopieur) • [www.lbwhite.com](http://www.lbwhite.com)

## TABLE DES MATIÈRES

Spécifications de l'appareil de chauffage .....	4
Information générale.....	5
Consignes de sécurité.....	6
Instructions d'installation	
Général.....	9
Taille de l'alimentation en gaz.....	11
Connexion du tuyau à l'appareil de chauffage .....	12
Connexion du régulateur à l'alimentation en gaz .....	12
Thermostat .....	13
Installation de l'appareil de chauffage .....	14
Structure interne.....	14
Structure externe (en utilisant les accessoires de distribution d'air).....	14
A. Ensemble de conduit.....	14
B. Diffuseur terminal .....	14
C. Ens. conduit gonflable.....	15
Directives de démarrage .....	16
Directives d'arrêt.....	17
Vanne de sélection du gaz (Appareils de chauffage Premier 350 DF seulement) .....	17
Instructions de nettoyage .....	18
Directives de maintenance .....	19
Directives d'entretien	
Général.....	20
Remplacement de la courroie.....	20
Poulies du moteur et du ventilateur.....	21
Dépannage composant entraînement .....	22
Moteur du ventilateur.....	23
Interrupteur de vérification de débit d'air .....	23
Commande de l'allumage.....	24
Relais.....	24
Transformateur .....	24
Ensemble d'allumage .....	25
Interrupteurs de limite élevée à réinitialisation manuelle.....	26
Roue, roulements et arbre du ventilateur .....	27
Orifice du brûleur et vanne de commande de gaz.....	27
Vérifications de la pression du gaz.....	28
Information de dépannage.....	30
Diagramme et schéma de connexion électrique Premier 350 DF .....	37
Premier 350 Gaz propane.....	38
Fonction de composant de l'appareil de chauffage .....	39
Identification des pièces Schéma des pièces.....	40
Liste de pièces.....	41
Politique de garantie, pièces de remplacement et réparation .....	44

**AVERTISSEMENT**

Ces produits standards sont fabriqués pour fonctionner à une efficacité optimale à des élévations entre 0 et 610 m (0 et 2 000 pi) au-dessus du niveau de la mer.

S'il fonctionne à des élévations supérieures, le produit ne fonctionnera pas correctement et pourrait fonctionner d'une manière non sécuritaire.

Des produits fournissant un fonctionnement adéquat pour des élévations alternatives peuvent être disponibles.

Si vous avez besoin d'un produit de haute élévation, n'avez pas spécifié lors de votre commande, et/ou la boîte dans laquelle cette unité vous a été livrée n'a pas d'étiquette indiquant l'élévation alternative, veuillez communiquer avec le soutien technique.

## MISES EN GARDE GÉNÉRALES

LE NON-RESPECT DES MISES EN GARDE ET DES INSTRUCTIONS FOURNIES AVEC CE RADIATEUR PEUT ENTRAÎNER LA MORT, DE GRAVES BLESSURES ET DES PERTES MATÉRIELLES OU DES DOMMAGES À LA PROPRIÉTÉ RÉSULTANT D'UN INCENDIE, D'UNE EXPLOSION, DE BRÛLURES, D'ASPHYXIE, D'EMPOISONNEMENT AU MONOXYDE DE CARBONE ET/OU D'UN CHOC ÉLECTRIQUE. SEULES LES PERSONNES APTES À COMPRENDRE ET À SUIVRE LES INSTRUCTIONS DEVRAIENT SE SERVIR DE CE RADIATEUR OU LE RÉPARER. SI VOUS AVEZ BESOIN D'AIDE OU D'INFORMATIONS CONCERNANT CE RADIATEUR, SOIT UNE NOTICE D'INSTRUCTIONS, UNE ÉTIQUETTE, ETC., PRIÈRE DE COMMUNIQUER AVEC LE FABRICANT LES MANUELS DU PROPRIÉTAIRE ET LES ÉTIQUETTES DE REMPLACEMENT SONT DISPONIBLES SANS FRAIS. CONSULTER LE SITE, OU POUR OBTENIR DE L'ASSISTANCE, COMMUNIQUER AVEC LB WHITE AU 1-800-345-7200.

## AVERTISSEMENT

- UNE BONNE PRESSION D'ALIMENTATION EN GAZ DOIT ÊTRE FOURNIE À L'ADMISSION DE L'APPAREIL DE CHAUFFAGE.
- RÉFÉREZ-VOUS À LA PLAQUE SIGNALÉTIQUE POUR CONNAÎTRE LA BONNE PRESSION D'ALIMENTATION EN GAZ.
- UNE PRESSION DE GAZ EXCESSIVE DE LA PRESSION D'ADMISSION MAXIMALE SPÉCIFIÉE À L'ADMISSION DE L'APPAREIL DE CHAUFFAGE PEUT CAUSER DES INCENDIES OU DES EXPLOSIONS.
- LES INCENDIES OU LES EXPLOSIONS PEUVENT CAUSER DES BLESSURES GRAVES, LE DÉCÈS OU ENDOMMAGER LE BÂTIMENT.
- UNE PRESSION DE GAZ INFÉRIEURE À LA PRESSION D'ADMISSION MINIMALE SPÉCIFIÉE À L'ADMISSION DE L'APPAREIL DE CHAUFFAGE PEUT CAUSER UNE MAUVAISE COMBUSTION.
- UNE MAUVAISE COMBUSTION PEUT MENER À UNE ASPHYXIE OU À UN EMPOISONNEMENT AU MONOXYDE DE CARBONE CHEZ LES HUMAINS, CAUSANT DES BLESSURES GRAVES OU LE DÉCÈS.

## AVERTISSEMENT RISQUE D'EXPLOSION ET D'INCENDIE

- NE PAS UTILISER DANS UNE MAISON OU UN VÉHICULE DE CAMPING.
- L'INSTALLATION DE CET APPAREIL DE CHAUFFAGE À LA MAISON OU DANS UN VÉHICULE RÉCRÉATIF PEUT CAUSER UN INCENDIE OU UNE EXPLOSION.
- UN INCENDIE OU UNE EXPLOSION PEUT ENDOMMAGER LES BIENS, ET MÊME CAUSER LE DÉCÈS.

## AVERTISSEMENT

### RISQUE D'INCENDIE, DE BRÛLURES, D'INHALATION ET D'EXPLOSION

GARDER LES COMBUSTIBLES SOLIDES, TELS LES MATÉRIAUX DE CONSTRUCTION, LE PAPIER ET LE CARTON, À BONNE DISTANCE DE CE RADIATEUR, COMME IL EST RECOMMANDÉ DANS LES INSTRUCTIONS. NE JAMAIS UTILISER CET APPAREIL DANS DES ENDROITS QUI CONTIENNENT OU POURRAIENT CONTENIR DES COMBUSTIBLES VOLATILES OU EN SUSPENSION DANS L'AIR TELS L'ESSENCE, LES SOLVANTS, LES DILUANTS POUR PEINTURE, LES PARTICULES DE POUSSIÈRES OU DES PRODUITS CHIMIQUES INCONNUS.

## POUR VOTRE SÉCURITÉ

Ne rangez pas ou n'utilisez pas de gaz ou autres vapeurs ou liquides inflammables près de cet appareil ou de tout autre appareil.

## POUR VOTRE SÉCURITÉ

Si vous sentez une odeur de gaz :

1. Ouvrez les fenêtres.
2. Ne touchez pas aux interrupteurs électriques.
3. Éteignez toute flamme ouverte.
4. Appelez immédiatement votre fournisseur en gaz.

## Spécifications

Description		Modèle		
		TS350DF		TS350
Type de combustible		Gaz propane	Gaz naturel	Gaz propane
Entrée maximale (BTUH/kW)	MAX	350 000/102,6		
	MIN	S.O.		175 000/51,3
Pression d'alimentation d'entrée en gaz acceptable à l'entrée de l'appareil de chauffage à des fins d'ajustement de l'admission (po CE/kPa)	MAX	13,5 / 3,36		
	MIN	11,0 / 2,74		
Pression de la rampe du brûleur (po CE/kPa)	MAX	5,2/1,30	5,3/1,32	8,0/2,0
	MIN	S.O.		2,0/0,49
Consommation de carburant par heure	MAX	16,2 lb/7,34 kg	350 pi <sup>3</sup> /9,9 m <sup>3</sup>	16,2 lb/7,34 kg
	MIN	S.O.		8,12 lb/3,54 kg
Caractéristiques du moteur		Roulement à billes		
		1 HP/745,7 W/1,725 tr/min		
Vitesse du ventilateur		915 tr/min		
Alimentation électrique (Volts/HZ/Phase)		115/60/1		
Intensité	Démarrage	35,0		
	Continu	11,0		
Dimensions L x P x H (pouces/cm)		48 x 22,25 x 32,75/122 x 56,5 x 83,2		
Distances minimales sécuritaires du matériau combustible le plus près (pieds/mètres)	Haut	1/0,3		
	Les côtés	1/0,3		
	Arrière	1/0,3		
	Sortie du ventilateur	6/1,83		
	Alimentation en gaz	Propane - É.-U. : 6, Canada : 3,05 - Gaz naturel - S.O.		
Température ambiante minimum pour l'utilisation		-20 °F/-29 °C		

## Information générale

Ce guide du propriétaire comprend tous les accessoires fréquemment utilisés sur cet appareil de chauffage. Ces accessoires doivent être commandés séparément.

Lorsque vous appelez pour obtenir une assistance technique, ou pour obtenir des renseignements généraux, ayez **toujours** le numéro du modèle, le numéro de configuration et le numéro de série disponible. Ces renseignements sont inscrits sur la plaque signalétique.

Ce guide vous informera sur le fonctionnement et les soins à apporter à votre appareil. Faites revoir ce guide par votre installateur qualifié afin de bien comprendre l'appareil de chauffage et son fonctionnement.

Communiquez avec votre distributeur L.B. White ou L.B. White Co., Inc pour obtenir de l'aide, ou si vous avez des questions concernant l'utilisation de l'équipement ou son utilisation.

La L.B. White Co, Inc. a une politique d'amélioration continue du produit. Il se réserve le droit de changer les spécifications et la conception sans préavis.

## Précautions de sécurité



### AVERTISSEMENT

#### Risque d'asphyxie

- N'utilisez pas cet appareil de chauffage pour chauffer les logements où des humains vivent ou d'autres espaces confinés.
- Ne l'utilisez pas dans des zones non ventilées.
- Le passage de l'air de combustion, ainsi que de l'air de ventilation ne doit pas être obstrué.
- Un bon air de ventilation doit être fourni pour satisfaire les exigences d'air de combustion de l'appareil de chauffage utilisé.
- Un manque d'air de ventilation approprié mènera à une mauvaise combustion.
- Une mauvaise combustion peut mener à un empoisonnement au monoxyde de carbone, causant des blessures graves ou le décès.  
Les symptômes reliés à un empoisonnement au monoxyde de carbone peuvent comprendre des maux de tête, des étourdissements et de la difficulté à respirer.
- L'air de ventilation adéquat pour la combustion doit être fourni conformément à OSHA 29 CFR 1926.154, Appareils de chauffage temporaires, ANSI A10.10, Exigences de sécurité pour les appareils de chauffage d'espace temporaires et portables, ou le Code d'installation du propane et du gaz naturel, CAN/CSA B149.1, selon le cas.

## Odeur de gaz

Le propane et le gaz naturel ont des substances odorantes artificielles ajoutées spécifiquement pour détecter les fuites de gaz. Si une fuite de gaz survient, vous devriez pouvoir sentir l'odeur de gaz. IL S'AGIT DE VOTRE SIGNAL POUR AGIR IMMÉDIATEMENT!

- Ne prenez pas de mesures qui pourraient enflammer le gaz. N'opérez pas les interrupteurs électriques. Ne tirez pas sur les rallonges ou l'alimentation électrique. N'allumez pas d'allumettes ou toute autre source de flamme. N'utilisez pas votre téléphone.
- Faites immédiatement sortir toutes les personnes du bâtiment et loin de la zone.
- Fermez toutes les vannes d'alimentation en gaz.
- Le propane est plus lourd que l'air et peut s'accumuler dans des zones basses. Lorsque vous soupçonnez une fuite de propane, sortez des zones basses.
- Utilisez le téléphone de votre voisin et appelez le fournisseur de gaz, ainsi que votre service des incendies. Ne rentrez pas dans le bâtiment ou la zone.
- Restez à l'extérieur du bâtiment et loin de la zone jusqu'à ce que les pompiers et votre fournisseur de gaz déclarent que les lieux sont sécuritaires.
- **FINALEMENT**, laissez l'agent de service en gaz et les pompiers vérifier le gaz qui s'est échappé. Laissez-les aérer le bâtiment et la zone avant d'y retourner. Les agents de service bien formés doivent réparer la fuite, vérifier les fuites potentielles et rallumer l'appareil de chauffage pour vous.

## Effacement de l'odeur - aucune odeur détectée

- Certaines personnes peuvent ne pas bien sentir. Certaines personnes ne peuvent pas sentir l'odeur de la substance chimique artificielle ajoutée au propane ou au gaz naturel. Vous devez déterminer si vous pouvez sentir la substance odorante de ces gaz.
- Apprenez à reconnaître l'odeur du propane et du gaz naturel. Les détaillants de propane locaux et votre fournisseur de gaz naturel local (service) seront heureux de vous donner un feuillet « grattez et sentez ». Utilisez-le pour vous familiariser avec l'odeur du gaz.
- La cigarette peut diminuer votre capacité à sentir. Se trouver en présence d'une odeur pendant un certain temps peut affecter votre sensibilité à cette odeur particulière.
- La substance odorante du propane et du gaz naturel est incolore et l'intensité de son odeur peut s'estomper dans certaines circonstances.
- S'il y a une fuite souterraine, le déplacement du gaz à travers le sol peut filtrer la substance odorante.
- L'odeur du propane peut varier en intensité à différents niveaux. Étant donné que le propane est plus lourd que l'air, l'intensité de l'odeur peut être plus forte à des niveaux inférieurs.
- Soyez toujours sensible à la moindre odeur de gaz. Si vous continuez à détecter une odeur de gaz, même si elle est faible, traitez-la comme une fuite importante. Agissez immédiatement, comme nous avons discuté précédemment.

## Attention - points importants à se rappeler!

- Le propane et le gaz naturel ont une odeur distinctive. Apprenez à reconnaître ces odeurs. (Référez-vous aux sections « Odeur de gaz » et « Effacement de l'odeur » ci-dessus.)
- Si vous ne l'avez pas reçu une formation adéquate en matière de réparation et de service
- Même si vous n'êtes pas bien formé dans l'opération et la réparation des appareils de chauffage, soyez TOUJOURS conscients des odeurs de propane et de gaz naturel.

Un « test olfactif » périodique autour de l'appareil chauffage ou aux articulations de l'appareil de chauffage; c'est-à-dire le tuyau, les raccords, etc., est une bonne pratique de sécurité dans toutes les conditions. Si vous sentez même une petite quantité de gaz, COMMUNIQUEZ IMMÉDIATEMENT AVEC VOTRE FOURNISSEUR DE GAZ. N'ATTENDEZ PAS!

1. N'essayez pas d'installer, de réparer ou d'opérer cet appareil de chauffage ou la conduite d'alimentation en gaz à moins que vous n'ayez les connaissances requises en matière d'appareils de chauffage au gaz.

### QUALIFICATIONS POUR L'OPÉRATION ET L'INSTALLATION :

- a. Pour devenir une personne qualifiée en installation de gaz, vous devez avoir suffisamment de formation et d'expérience pour traiter tous les aspects liés à l'installation, à l'entretien et à la réparation. Cela inclut la tâche de l'installation, du dépannage, du remplacement des pièces défectueuses et les essais sur l'appareil de chauffage. Vous devez être en mesure de mettre l'appareil de chauffage dans une condition de fonctionnement sécuritaire et normale. Vous devez vous familiariser entièrement avec chaque modèle d'appareil de chauffage en lisant et en vous conformant aux directives de sécurité, aux étiquettes, au guide du propriétaire, etc., qui accompagne chaque appareil de chauffage.
  - b. Pour devenir une personne qualifiée en installation de gaz, vous devez avoir suffisamment de formation et d'expérience pour traiter tous les aspects liés à l'installation, à la réparation et dans le changement des conduites de gaz, y compris la sélection et l'installation du bon équipement, et la sélection de la bonne taille de tuyau et de réservoir à utiliser. Ceci doit être effectué selon les codes nationaux, provinciaux et locaux, de même que les exigences du fabricant.
  - c. Dans le Commonwealth du Massachusetts, ce produit doit être installé par un installateur de gaz agréé du Commonwealth du Massachusetts.
2. Toutes les installations et les applications d'appareils de chauffage L.B. White doivent respecter tous les codes locaux, provinciaux et nationaux pertinents. Cela inclut les codes de sécurité, électriques, du gaz naturel et du GPL. Votre fournisseur local de gaz, un électricien agréé local, le service d'incendie local ou des organismes gouvernementaux similaires, ou votre agent d'assurance peuvent vous aider à déterminer les exigences des codes.

Référez-vous aux normes suivantes :

#### Installations des États-Unis :

- ANSI/NFPA 58, dernière édition, Norme de stockage et de manipulation du pétrole liquéfié et/ou
- ANSI Z223.1/NFPA 54, Code national sur le gaz
- ANSI/NFPA 70, Code national de l'électricité

#### Installations du Canada :

- CSA B149.1-F15 - Code d'installation du gaz naturel et du propane
- CSA C22.1 Code canadien de l'électricité (CCÉ), Première partie, et CSA C22.2 No.3, Caractéristiques électriques des appareils à combustible.

3. Nous ne pouvons pas prévoir toutes les utilisations qui peuvent être faites de nos appareils de chauffage. D'autres normes régissent l'utilisation de gaz combustibles et de produits produisant de la chaleur dans des utilisations spécifiques. Votre ressource locale compétente peut vous conseiller à ce sujet. Vérifiez auprès de votre ressource compétente en matière de sécurité-incendie si vous avez des questions à propos des utilisations.
4. Ne pas laver l'intérieur de l'appareil de chauffage. Utilisez seulement de l'air comprimé, une brosse ou un chiffon doux pour nettoyer l'intérieur de l'appareil de chauffage et ses composants.
5. Pour la sécurité, cet appareil de chauffage est équipé avec des interrupteurs de limite élevée à réinitialisation manuelle, un interrupteur de vérification de débit d'air et une vanne de commande du débit de gaz redondant. Ne jamais faire fonctionner l'appareil de chauffage avec un dispositif de sécurité qui a été contourné. Ne pas faire fonctionner cet appareil de chauffage à moins que toutes les fonctionnalités fonctionnent pleinement.
6. Ne pas placer les contenants de gaz ou les tuyaux d'alimentation de combustible à l'intérieur de 20 pi/6,10 mètres de la sortie du ventilateur de l'appareil de chauffage.
7. Ne pas bloquer les entrées d'air ou les sorties d'évacuation de l'appareil de chauffage. Agir de la sorte peut causer une mauvaise combustion ou endommager les composants de l'appareil de chauffage, menant à des dommages aux biens.
8. L'ensemble de flexibles doit être inspecté visuellement sur une base quotidienne après la relocation de la fournaise et lorsque l'appareil est en cours d'utilisation. S'il est évident qu'il y a une abrasion ou une usure excessive, ou si le tuyau est coupé, il doit être remplacé avant que la fournaise ne soit mise en service. L'ensemble de flexibles devra être protégé de la circulation, des matériaux de construction et du contact avec des surfaces chaudes durant l'utilisation et durant l'entreposage. L'ensemble de flexibles de rechange doit être celui précisé par le fabricant. Consulter la liste des pièces.

9. Les appareils de chauffage Premier 350DF sont équipés d'une vanne de sélection de gaz. La vanne de sélection doit être adéquatement positionnée pour que le gaz soit fourni à l'appareil de chauffage. Davantage d'information sur cette fonctionnalité est fournie en page 17 de ce guide.
10. Vérifiez les fuites de gaz et le bon fonctionnement à l'installation, lors du changement d'emplacement ou de l'entretien. Reportez-vous aux directives de vérification des fuites dans la section sur l'installation de ce guide.
11. Cet appareil de chauffage doit être inspecté pour son fonctionnement adéquat par une personne qualifiée avant chaque utilisation et au moins annuellement.
12. Éteignez l'alimentation en gaz de l'appareil de chauffage si l'appareil de chauffage ne sera pas utilisé pour le chauffage de l'espace de travail.
13. Cet appareil de chauffage est équipé d'une fiche à trois broches (mise à la terre) pour votre protection contre les risques d'électrocution et doit être branché directement dans une prise à trois broches mise à la terre. Ne pas utiliser une prise adéquatement mise à la terre peut provoquer un choc électrique, des blessures ou le décès.
14. Si le flux de gaz est interrompu et que la flamme s'éteint, ne rallumez pas l'appareil de chauffage jusqu'à ce que vous soyez certain que tout le gaz ayant pu s'accumuler dans l'appareil de chauffage se soit dissipé. Dans tous les cas, ne rallumez pas l'appareil de chauffage avant que cinq minutes ne se soient écoulées.
15. L'appareil de chauffage requiert un réservoir de propane de 500 gallons/1 892 litres afin d'assurer une pression d'alimentation en gaz et un fonctionnement adéquats. Un réservoir de capacité supérieure peut être requis, selon les conditions de fonctionnement du site.
16. Lorsque l'appareil de chauffage est stocké à l'intérieur, la connexion entre la(les) bouteille(s) de propane et l'appareil de chauffage doit être déconnectée et la(les) bouteille(s) retirée(s) de l'appareil de chauffage et entreposée(s) conformément à la Norme pour l'entreposage et la manipulation des gaz de pétrole liquéfiés, ANSI/NFPA 58 ou le Code d'installation du propane et du gaz naturel, CAN/CSA B149.1, selon le cas.
17. Les bouteilles de gaz propane ont des filetages à gauche. Toujours utiliser la clé appropriée pour faire une connexion pour serrer ou desserrer le raccord Prest-O-Lite du raccord de la queue de cochon à la vanne d'alimentation en gaz de la bouteille.



## Directives générales d'installation



### AVERTISSEMENT

#### Risque de brûlure

Peut entraîner des dommages à la propriété, des blessures graves ou le décès.

1. Pour éviter une accumulation dangereuse de gaz combustible, coupez l'alimentation en gaz à la vanne de service de l'appareil avant de commencer l'installation et effectuer un test de fuite de gaz après la complétion de l'installation.
2. Ne pas forcer le bouton de commande de gaz. Utilisez seulement votre main pour tourner le bouton de commande de gaz. N'utilisez jamais d'outils. Si le bouton de commande ne fonctionne pas à la main, il devrait être remplacé par un technicien qualifié. Le forcer ou tenter de le réparer peut entraîner un incendie ou une explosion.

1. Lisez toutes les précautions de sécurité et suivez les recommandations émises par L.B. White lors de l'installation de cet appareil de chauffage. Si, pendant l'installation ou la relocalisation de l'appareil de chauffage, vous soupçonnez une pièce endommagée ou défectueuse, appelez une agence de réparation qualifiée pour la réparation ou le remplacement.

2. Placer l'appareil de façon appropriée avant de l'utiliser sur une surface plane, stable et horizontale avant toute utilisation. Veiller à ce que la fournaise soit de niveau. (Utiliser un niveau, vérifier la longueur et la direction de la largeur). Respecter toutes les distances de sécurité minimales entre la fournaise et les matériaux combustibles les plus proches. Les distances de sécurité sont indiquées sur la plaque signalétique de la fournaise ainsi qu'à la page 4 du présent manuel.

3. Pour utilisation à l'intérieur ou à l'extérieur et est approuvé pour une utilisation avec ou sans eseu de gaines. Pour les installations à l'extérieur, des accessoires supplémentaires sont nécessaires pour correctement fournir de l'air chauffé à l'intérieur. Ces accessoires sont les suivants :

-- 18 po/43,7 cm Dia. x 12 pi/3,66 m Conduit : Pièce n° 22835  
-- Diffuseur terminal : Pièce n° 23189

NE PAS UTILISER D'AUTRE LONGUEUR DE CONDUIT OU UN CONDUIT, DES BÂCHES OU DE TUYAU DE POËLE FABRIQUÉS SUR LE TERRAIN, ETC. AVEC CET APPAREIL DE CHAUFFAGE.

- Lorsque vous utilisez le conduit, assurez-vous que les coudes dans le conduit sont réduits au minimum. Un maximum de deux coudes à 90° est permis.
- La réduction du nombre de coudes permet à l'air chaud de quitter l'appareil de chauffage dans un flux libre, prévenant ainsi la surchauffe. S'il y a trop de coudes, les interrupteurs de limite élevée peuvent s'ouvrir.

4. Le régulateur de pression de gaz de l'appareil de chauffage (avec une soupape de surpression) doit être protégé des conditions météorologiques défavorables (pluie, verglas, neige) ainsi que des matériaux de construction (goudron, béton, plâtre, etc.) qui peuvent nuire à son bon fonctionnement et pourrait entraîner des dommages à la propriété ou des blessures.

5. Les appareils de chauffage à proximité de bâches, de toiles, de matières plastiques, de barrières contre le vent combustibles, ou de similaires revêtements, doivent être situés à au moins 10 pi/3,05 mètres des revêtements. Les revêtements doivent être solidement fixés pour prévenir l'allumage ou le dérangement de l'appareil de chauffage en raison de l'action du vent sur le revêtement ou un autre matériau.

6. Vérifiez tous les raccords pour tout signe de fuite en utilisant les détecteurs de fuite approuvés. Le test de fuite de gaz s'exécute comme suit :

-- Vérifiez tous les raccords de tuyaux, les raccords, les fixations et les adaptateurs en amont de la commande de gaz avec les détecteurs de fuite de gaz approuvés.



### AVERTISSEMENT

#### Risque d'explosion et d'incendie

- N'utilisez de flamme ouverte (allumettes, torches, chandelles, etc.) pour vérifier les fuites de gaz.
- Utilisez seulement les détecteurs de fuite approuvés.
- Le non-respect de cet avertissement peut causer des incendies ou des explosions.
- Un incendie ou une explosion peut endommager les biens, causer des blessures, et même le décès.

-- En cas de fuite détectée, inspectez la propreté des composants impliqués et la bonne application du composé du tuyau avant de serrer.

-- Serrez les raccords de gaz, au besoin, pour arrêter la fuite.

-- Une fois tous les raccords vérifiés et les fuites arrêtées, allumez le brûleur principal.

-- Tenez-vous loin tandis que le brûleur principal s'allume pour prévenir les blessures causées par le retour de flammes reliées aux fuites.

-- Lorsque le brûleur principal est en opération, vérifiez tous les raccords, les raccords de tuyaux, les fixations

et les articulations, de même que l'admission de la vanne de commande de gaz et les raccords de sortie avec les détecteurs de fuite de gaz approuvés.

- En cas de fuite détectée, vérifiez les composants impliqués pour la propreté dans les zones filettées et la bonne application du composé du tuyau avant de serrer davantage.
  - Serrez le raccord de gaz, au besoin, pour arrêter la fuite.
  - Au besoin, remplacez les pièces ou les composants impliqués si la fuite ne peut être arrêtée.
  - Assurez-vous que toutes les fuites de gaz aient été identifiées et réparées avant de procéder.
7. Une agence de réparation qualifiée doit vérifier la pression de gaz d'opération lors de l'installation de l'appareil de chauffage.
  8. Allumer conformément aux directives sur l'appareil de chauffage ou à l'intérieur du guide du propriétaire.
  9. Assurez-vous que l'appareil de chauffage à le régulateur de gaz adéquat pour l'utilisation. Un régulateur doit être connecté à l'approvisionnement en gaz afin que la pression en gaz à l'admission de la soupape de gaz soit réglée à l'intérieur de la plage spécifiée sur la plaque signalétique, en tout temps.

**Appareils de chauffage Premier 350 DF :** Le régulateur fourni avec l'appareil de chauffage est adéquat pour être utilisé avec le gaz propane ou le gaz naturel.

**Appareils de chauffage au gaz propane Premier 350 :** Le régulateur fourni avec ces appareils de chauffage est conçu pour être utilisé spécifiquement pour le combustible utilisé.

Communiquez avec votre fournisseur de gaz, ou L.B. White Co., Inc., si vous avez des questions.

10. Cet appareil de chauffage est configuré pour être utilisé dans un système de retrait de vapeur de GPL. N'utilisez pas cet appareil de chauffage dans un système de retrait de liquide GPL. En cas de doute, communiquez avec L.B» White Co., Inc.
11. L'appareil de chauffage doit être installer afin de ne pas interférer ou obstruer les sorties normales, les sorties d'urgence, les portes et les allées.
12. Une rampe, une clôture ou des matériaux substitués appropriés doivent être utilisés pour garder toute personne visitant et utilisant la structure éloignée de l'équipement de chauffage.
13. L'appareil de chauffage doit être situé dans un endroit où l'évacuation de la pluie, du verglas ou de la neige de la structure n'affecte pas le fonctionnement de l'équipement. Si l'appareil de chauffage est monté à l'extérieur, il doit être monté au-dessus de toute eau stagnante ou bassin d'eau. Si l'unité doit être située sur le sol, une

tranchée l'entourant est recommandée pour laisser s'écouler toute pluie, toute neige ou tout verglas à l'écart de l'unité.

14. Le sol et le terrain environnant doivent être exempts de végétation combustible et autres matériaux combustibles lorsque l'appareil de chauffage est utilisé à l'extérieur.
15. Éventuellement, comme tout appareil électrique/mécanique, le thermostat peut défaillir. La défaillance du thermostat peut entraîner un chauffage insuffisant. Le thermostat doit être testé pour s'assurer qu'il allume et éteint l'appareil de chauffage dans une plage de températures de  $\pm 1,5\text{ }^{\circ}\text{C}$  ( $\pm 3\text{ }^{\circ}\text{F}$ ).
16. Prenez le temps de comprendre comment faire fonctionner et entretenir l'appareil de chauffage à l'aide du guide du propriétaire. Assurez-vous de connaître la manière d'éteindre l'alimentation en gaz du bâtiment et des appareils de chauffage individuels. Communiquez avec votre fournisseur de gaz combustible si vous avez des questions.
17. Tout défaut découvert lors de l'exécution des procédures de réparation ou de maintenance doit être éliminé et les pièces défectueuses remplacées immédiatement. L'appareil de chauffage doit être retesté par du personnel dûment qualifié avant de remettre l'appareil de chauffage en fonction.

## Taille de l'alimentation en gaz

La vaporisation du propane est affectée par plusieurs facteurs : la surface du récipient, le niveau de liquide du propane, la température entourant le récipient et l'humidité relative. Tous ces facteurs sont spécifiques à un site. Par conséquent, une certaine expérience et un jugement sont nécessaires pour sélectionner l'alimentation en propane appropriée.

Bien que l'expérience soit le meilleur guide, les recommandations suivantes peuvent être utilisées comme point de départ. Le tableau est basé sur l'expérience dans les climats nordiques, où le froid et l'humidité élevés sont répandus en hiver. Si des conditions plus ou moins favorables sont présentes sur un site spécifique, des ajustements peuvent être faits sur la base de l'expérience.

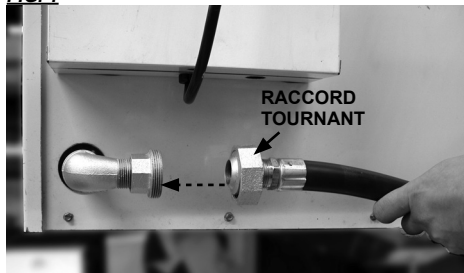
<b>Approvisionnement en gaz recommandé</b>	
<b>TAILLE DU RÉSERVOIR</b>	<b>APPAREILS DE CHAUFFAGE/ RÉSERVOIR</b>
500 gal/1892 litres	1
1000 gal/3784 litres	2

Si plus d'une bouteille d'approvisionnement en gaz est utilisée par appareil de chauffage, les bouteilles doivent être reliées ensemble pour permettre le retrait simultané de la vapeur de plusieurs bouteilles. Le système de collecteur devrait être conforme à NFPA 58 ou CSA B149.1.

## Connexion du tuyau à l'appareil de chauffage

1. Enfilez le raccord tournant sur le connecteur à l'admission en gaz de l'appareil de chauffage. Voir la Fig. 1. Serrez bien.
2. Le tuyau peut être enroulé et accroché sur le porte-tuyau, le régulateur étant entreposé dans le support d'entreposage du régulateur.

FIG. 1



## Connecter le régulateur à l'alimentation en gaz

### SI DU GAZ PROPANE EST UTILISÉ :

1. Soulevez le couvercle du réservoir.
2. Assemblez les composants du gaz comme indiqué, selon le type d'appareil de chauffage. Serrez bien tous les raccords. Voir la fig. 2 pour les appareils de chauffage Premier 350 DF et la fig. 3 pour les appareils de chauffage Standard Premier 350 LP.

FIG. 2

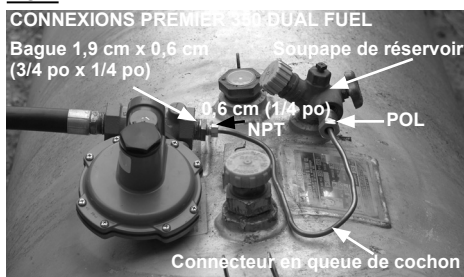
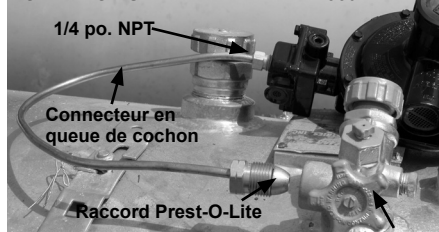


FIG. 3

### CONNEXION STANDARD PREMIER 350 LP



3. Formez le connecteur pour s'assurer que le régulateur sera supporté par le réservoir, et que le couvercle de la vanne du réservoir protégera le régulateur des conditions de température.
4. Enfilez le raccord Prest-O-Lite dans le sens antihoraire dans la vanne du réservoir. Serrez bien. Voir la Fig. 2. ou la Fig. 3.
5. Ouvrez la vanne du réservoir.
6. Vérifiez toutes les connexions avec un détecteur de fuite approuvé. Fermez le couvercle du réservoir.
7. Lors du stockage ou du transport de l'appareil de chauffage, assurez-vous que le raccord du connecteur soit protégé des dommages et de l'entrée de saleté.

### SI DU GAZ NATUREL EST UTILISÉ :

- Le régulateur ne doit être utilisé que si la pression d'alimentation en gaz de l'appareil de chauffage est supérieure à la pression d'entrée maximale indiquée sur la plaque signalétique de l'appareil de chauffage.
- Branchez le régulateur tel que fourni avec l'appareil de chauffage à ligne d'alimentation en gaz, en utilisant les connexions appropriées. (NE PAS UTILISER LE PREST-O-LITE/QUEUE DE COCHON POUR LES INSTALLATIONS DE GAZ NATUREL)
- La pression d'alimentation en gaz au régulateur doit être au minimum 2 PSI/13,7 kPa.
- Le régulateur fourni avec l'appareil de chauffage Premier 350 DF peut aussi être utilisé avec le gaz naturel.

## Thermostats

Le thermostat à distance livré avec cet appareil de chauffage est raccordé en usine dans le circuit de commande.

### **Appareils de chauffage Premier 350 DF :**

Le thermostat est une conception à un étage. Lorsqu'il y a un appel de chaleur du thermostat, le thermostat active l'appareil de chauffage à sa production de chaleur maximale.

### **Appareils de chauffage Premier 350 au gaz propane :**

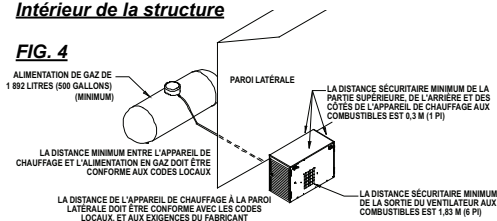
Le thermostat est une conception à deux étages et est conçu pour couvrir un large éventail d'exigences de chauffage.

Le thermostat à deux étages permet à l'appareil de chauffage d'être utilisé lorsqu'un taux de chaleur élevé unique n'est pas souhaitable. Le thermostat à deux étages permettra à l'appareil de chauffage de fonctionner à une température plus faible lorsque la charge de chauffage est moins importante ou il fonctionnera à la chaleur la plus élevée si le demandé est augmentée.

# Installation de l'appareil de chauffage

## Intérieur de la structure

**FIG. 4**



## Extérieur de la structure

### (Accessoires de distribution de l'air - non fournis avec l'appareil de chauffage)

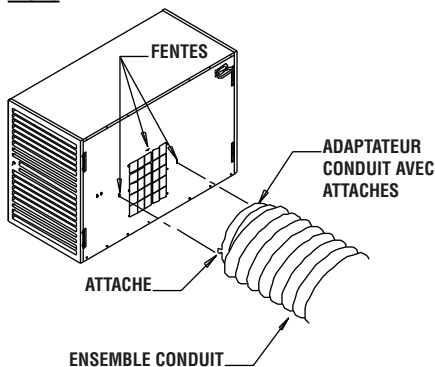
#### A. Ensemble de conduit flexible

Numéro de pièce : 22835 (18 pi x 12 pi/46 cm x 3,65 m)

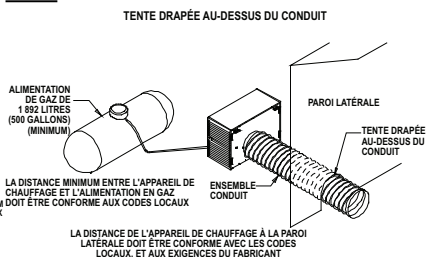
1. Étendre l'ensemble de conduit à 12 pieds/3,6 mètres.
2. Montez le conduit à la sortie du ventilateur de l'appareil de chauffage en insérant les attaches dans les fentes verticales et horizontales situées sur les côtés et à la partie supérieure de la sortie du ventilateur. Voir la Fig. 5. Appuyez sur l'adaptateur de conduit pour fixer en place l'adaptateur dans les fentes. Voir ci-dessous pour une installation typique d'un appareil de chauffage situé à l'extérieur.

Lorsque des conduits flexibles de 12 pi/3,65 m sont utilisés, le nombre maximal de conduits flexibles par appareil de chauffage est 3. Voir la Fig. 6 pour une installation typique.

**FIG. 5**



**FIG. 6**



#### B. Diffuseur terminal

Numéro de pièce : 23189

1. Desserrez la vis sur la pince afin que la pince soit facilement positionnée sur les nervures à la fin du conduit flexible.
2. Glissez l'adaptateur du conduit dans la portion terminale du conduit. Les attaches de l'adaptateur du conduit doivent être opposées au conduit et sont situées aux positions de 3 heures, 9 heures et midi. Voir la Fig. 7.
3. Serrez bien la pince afin que l'adaptateur soit bien fixé à l'intérieur du conduit.
4. Insérez les attaches de l'adaptateur dans les fentes à l'arrière du diffuseur d'air.
5. Appuyez vers le bas sur l'adaptateur afin que les attaches soient fermement fixées au diffuseur d'air.
6. Repérez le diffuseur sous la paroi latérale. Voir la Fig. 8.

**FIG. 7**

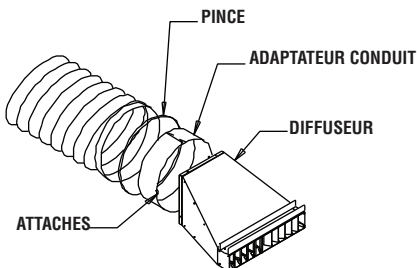
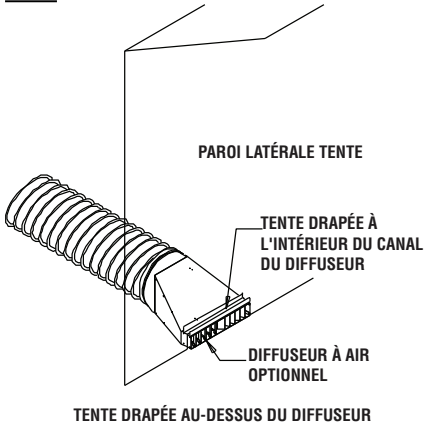


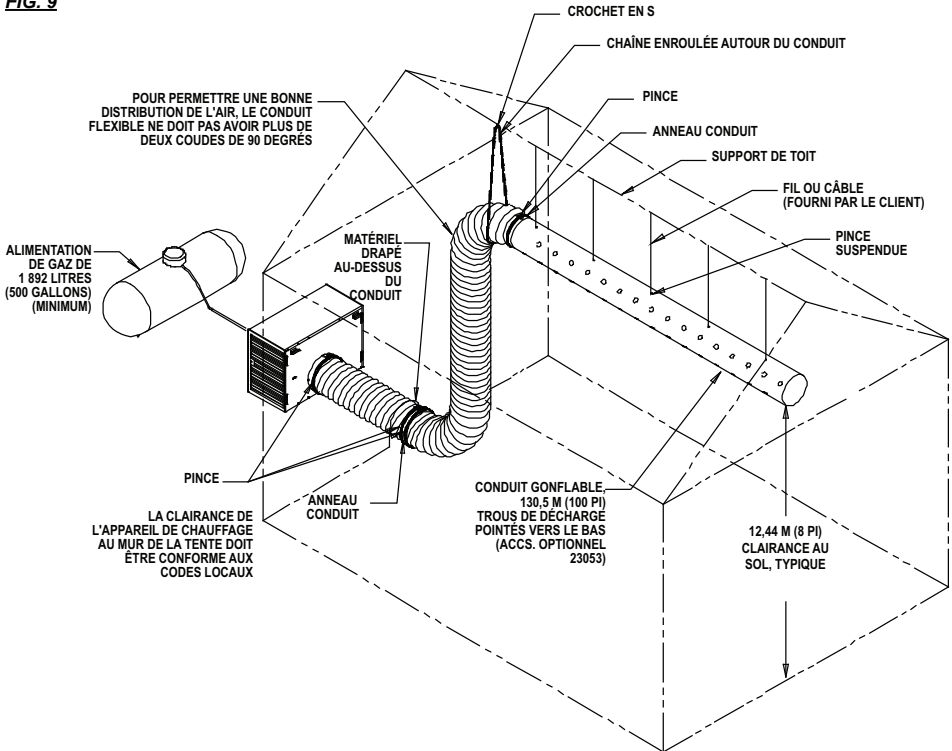
FIG. 8



### C. Conduit gonflable

Utilisez seulement 2 conduits flexibles lorsque vous utilisez également un conduit gonflable.

FIG. 9



## Directives de démarrage

Pour le démarrage initial après l'installation de l'appareil de chauffage, suivre les étapes 1 à 5. Pour le démarrage normal, réglez le thermostat à une température plus élevée que celle de la pièce.

1. Branchez le cordon électrique dans une prise électrique approuvée.
2. Réglez le thermostat à la température de la pièce souhaitée.
3. Un interrupteur de sélection est situé à l'arrière de l'appareil de chauffage. Cet interrupteur permet de chauffer ou ventiler (sans chaleur). Voir la Fig. 10 pour les positions du sélecteur.

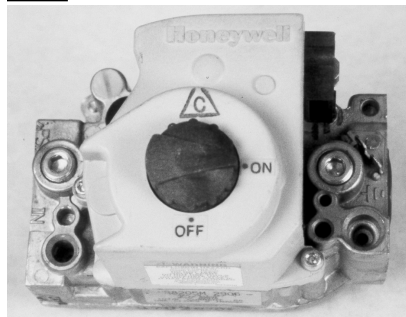
FIG. 10




### A. Fonctionnement en mode chauffage


- a. Ouvrez toutes les vannes d'alimentation manuelle en gaz. Vérifiez pour tout signe de fuite en utilisant un détecteur de fuite approuvé. Indépendamment du modèle acheté, la vanne de commande de gaz dans le dispositif de chauffage a une fonction d'arrêt manuel intégrée dans l'ensemble du clapet. Assurez-vous que l'indicateur est à la position « ON » (MARCHE). Voir la Fig. 11, la vanne de l'appareil Premier 35DF est montrée.

FIG. 11



- b. Positionnez l'interrupteur à chauffage.   
Voir la Fig. 10. Un voyant rouge à l'intérieur de l'interrupteur s'allumera. Le moteur du ventilateur va démarrer, l'allumeur fera des étincelles et l'allumage se produira. Le thermostat allumera ou éteindra l'appareil de chauffage selon le réglage de température.

### B. Fonctionnement en mode ventilation

Lorsque l'interrupteur est positionné à « vent » (ventilation),  le voyant rouge ne sera PAS allumé. Le moteur du ventilateur démarrera, mais l'allumeur ne fera pas d'étincelles et l'allumage ne se produira pas. Cette fonctionnalité est utilisée seulement lorsque la circulation d'air est requise. L'appareil de chauffage ne s'allumera pas sur son réglage de thermostat. Pour désactiver la fonction de ventilation, positionnez l'interrupteur à « OFF » (Arrêt) ou « HEAT » (Chaleur).

### C. OFF

Positionnez l'interrupteur au milieu. 

### MISE EN GARDE

- Il est normal que l'air soit emprisonné dans le tuyau de gaz sur les nouvelles installations. L'appareil de chauffage peut effectuer plus d'un essai d'allumage avant que l'air ne soit finalement purgé de la conduite, et l'allumage se produira.
4. Le panneau de contrôle « direct spark ignition » (DSI) (allumage par étincelle directe) à l'intérieur de l'appareil de chauffage est auto-diagnostique. Le panneau de chauffage conjointement avec une diode électroluminescente (DEL) intégrée à l'interrupteur. La DEL clignotera selon une séquence spécifique continue selon le problème qui se produit. Faites correspondre la séquence clignotante de la DEL avec l'étiquette de dépannage qui se trouve à l'intérieur du panneau d'accès du couvercle de brûleur de l'appareil de chauffage. L'étiquette de dépannage identifie les causes du problème tel que cela correspond à la séquence spécifique et propose une solution pour corriger le problème. Voir aussi « Dépannage des données » dans ce guide du propriétaire.
  5. Vanne de commande du gaz

### Appareils de chauffage Premier 350 DF :

La commande de gaz est une conception à un étage. Lorsque la vanne s'ouvre, elle fournit la pleine sortie de chaleur.

### Appareils de chauffage au gaz propane Premier 350 :

La vanne de commande de gaz est une conception à deux paliers. Quand un appel de chaleur se produit, la vanne s'ouvrira à un taux égal à la moitié de sa production totale de chaleur. Selon les exigences de température et le réglage du thermostat, la vanne va soit demeurer à un faible taux de chaleur avant que le thermostat soit satisfait, ou la vanne s'ouvrira complètement à sa capacité totale.



- Ne pas dépasser la puissance nominale apposée sur la plaque signalétique ou la pression d'orifice de brûleur recommandée par le fabricant pour la taille d'orifices utilisés. Assurez-vous que l'alimentation en air au brûleur principal est ouverte et exempte de poussière, saleté et débris pour une combustion complète et adéquate.

## Directives d'arrêt

Si l'appareil de chauffage doit être éteint pour le nettoyage, l'entretien ou la réparation, suivez les étapes 1 à 5. Autrement, réglez le thermostat à une température inférieure à celle de la pièce pour un arrêt standard. **Ne pas fermer l'appareil de chauffage avec le sélecteur. Cela couperait l'alimentation à l'appareil de chauffage, empêchant ainsi le refroidissement de la chambre de chaleur. L'interrupteur de limite élevée du brûleur va se déclencher.**

- Fermez la vanne d'alimentation en gaz.
- Laissez l'appareil de chauffage brûler tout gaz restant dans la conduite d'alimentation en gaz.
- Réglez le thermostat à une température inférieure à celle de la pièce. **Lorsque le thermostat éteint le brûleur, le moteur du ventilateur continuera de fonctionner pour 1 minute, permettant à la chambre de chaleur de refroidir. Après 1 minute, le moteur du ventilateur va s'éteindre.**
- Positionnez le sélecteur à « OFF » (Arrêt).
- Débranchez l'appareil de chauffage de ses alimentations électriques et en gaz.

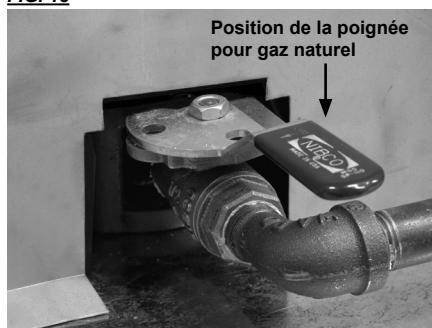
## Vanne de sélection de gaz Premier 350 DF seulement

- Cette fonction permet à l'appareil de chauffage de fonctionner soit avec du propane ou du gaz naturel sans changer l'orifice du brûleur. La vanne de sélection de gaz est située entre la vanne de commande de gaz et le brûleur. La sélection de gaz est faite en repositionnant la poignée de la vanne. **CECI N'EST PAS UNE VANNE DE FERMETURE DE GAZ MANUELLE.**
- Se réfère aux figures 12 et 13. La poignée de la vanne doit toujours être adéquatement positionnée pour le gaz spécifique utilisé, autrement l'unité va surchauffer ou sous-chauffer.

**FIG. 12**



**FIG. 13**



- La poignée doit être complètement tournée à 90 degrés du flux de gaz (gaz propane) ou parallèle au flux de gaz (gaz naturel) pour un fonctionnement approprié. Ne pas faire fonctionner l'appareil de chauffage avec la poignée de la vanne entre les deux positions, autrement un mauvais fonctionnement se produira.
- La poignée de la vanne peut être verrouillée pour éviter un mauvais positionnement. Utilisez les trous fournis sur le corps de la vanne et de la poignée. Voir la Fig. 14.

**FIG. 14**



## Directives de nettoyage



### AVERTISSEMENT

#### Risque d'incendie, de brûlure et d'explosion

- Cet appareil de chauffage contient des composantes mécaniques et électriques dans les systèmes de gestion du gaz, de sécurité et de circulation de l'air.
- Ces composantes peuvent devenir inopérantes ou défaillir en raison de la poussière, de la saleté, de l'usure, du vieillissement ou de l'atmosphère corrosive d'un bâtiment de confinement des animaux.
- L'inspection et le nettoyage périodiques ainsi que la maintenance appropriée sont essentiels pour éviter des blessures graves ou des dommages à la propriété.

1. Avant le nettoyage, fermez toutes les vannes d'alimentation en gaz et déconnectez l'alimentation électrique.
2. La saleté ou la poussière devrait être retirée de l'appareil de chauffage périodiquement :
  - a. Avant chaque utilisation, faites un nettoyage général de l'appareil de chauffage en utilisant de l'air comprimé ou une brosse douce ou un chiffon sec sur son boîtier et ses composantes internes. À ce moment, enlevez la poussière du boîtier du moteur pour prévenir une surchauffe du moteur.
  - b. Au moins une fois par année, effectuez un nettoyage en profondeur de l'appareil de chauffage. À ce moment, retirez l'ensemble du ventilateur et du moteur et brossez ou soufflez l'ensemble de pales de ventilateur. De plus, assurez-vous que les ports d'entrée d'air venturi du brûleur et l'enveloppe du brûleur soient exempts de poussière.



### AVERTISSEMENT

Ne pas utiliser un nettoyeur haute pression, de l'eau, ou une solution de nettoyage liquide sur les commandes de gaz. L'utilisation d'un nettoyeur haute pression, d'eau, ou d'une solution de nettoyage liquide sur les composants de commande peut entraîner des blessures graves ou des dommages à la propriété dus à l'eau et/ou aux liquides :

- Dans les composantes électriques et les fils, causant des chocs électriques ou la défaillance de l'équipement.
- Sur les vannes de commande de gaz causant de la corrosion, ce qui peut entraîner des fuites de gaz et des incendies ou des explosions découlant de la fuite.

Nettoyez toutes les composantes de l'appareil de chauffage avec de l'air sous pression, une brosse sèche ou un chiffon sec.

## Directives d'entretien

### AVANT CHAQUE UTILISATION :

- Vérifier la zone entourant l'appareil de chauffage pour assurer qu'elle est exempte de matériaux combustibles, d'essence et autres vapeurs ou liquides inflammables.
- Faites vérifier à votre fournisseur en gaz tous les raccords de gaz pour toute fuite ou restriction des conduites de gaz.
- Inspectez le régulateur de ventilation pour vous assurer qu'il n'est pas bloqué. Des débris, des insectes, des nids d'insectes, la neige, ou de la glace sur un régulateur peuvent bloquer la ventilation et causer un surplus de pression à l'appareil de chauffage.
- Vérifiez toutes les bornes de câblage et les composantes électriques à l'intérieur de l'appareil de chauffage pour de la corrosion, de l'isolation coupée ou effilochée, des connexions bien serrées, etc. Réparez ou remplacez, au besoin.
- Inspectez l'ensemble de tuyau après l'installation de l'appareil de chauffage, la relocalisation et lorsqu'il est en cours d'utilisation. En cas d'abrasion ou d'usure excessive soupçonnée, ou si le tuyau est coupé, il doit être remplacé avant de mettre l'appareil de chauffage en opération.
- Vérifiez la courroie d'entraînement du ventilateur de l'appareil de chauffage. Assurez-vous que la courroie n'est pas craquée. Si c'est le cas, remplacez-la. De plus, assurez-vous que la courroie ne glisse pas, que la tension de la courroie adéquate et que les poulies sont correctement alignées et non usées.
- Inspectez toutes les inscriptions de l'appareil de chauffage (p.ex. le schéma de câblage, les avertissements, le démarrage, l'arrêt, le dépannage, etc.) au moment de la maintenance pour leur lisibilité. Assurez-vous qu'aucune n'est endommagée, déchirée ou coupée. Toutes inscriptions endommagées doivent être remplacées immédiatement en contactant L.B. White Co, Inc. La plaque signalétique, les directives de démarrage et d'arrêt et les avertissements sont disponibles sans frais.

### MENSUELLEMENT

- Lubrifiez les roulements une fois par mois. Utilisez de l'huile minérale NLGI de grade 2 au lithium ou une graisse à base de lithium.

### ANNUELLEMENT :

- Nettoyer et vérifier l'allumeur pour des fissures. Remplacez, au besoin.
- Les régulateurs peuvent être usés et mal fonctionner. Faites vérifier vos codes de date situés sur tous les régulateurs installés et vérifiez les pressions de livraison à l'appareil de chauffage afin de vous assurer que le régulateur soit fiable.
- Test des deux interrupteurs de limite élevée manuels pour assurer leur bon fonctionnement. (Voir les Directives de test pour cela dans le guide du propriétaire.)

## Directives de réparation



### AVERTISSEMENT Risque de brûlure

- Les surfaces de l'appareil de chauffage demeurent extrêmement chaudes pendant un certain temps une fois l'appareil de chauffage éteint.
- Laissez refroidir l'appareil de chauffage avant d'effectuer la réparation, l'entretien ou le nettoyage.
- Le non-respect de cet avertissement peut causer des brûlures causant des blessures.



### AVERTISSEMENT Risque d'explosion et d'incendie

- Ne démontez pas et n'essayez pas de réparer un composant de l'appareil de chauffage ou de liquéfaction du gaz, comme les vannes ou les tuyaux de gaz.
- Toutes les pièces des composants doivent être remplacées si elles sont défectueuses.
- Le non-respect de cet avertissement peut causer un incendie ou des explosions, endommageant les biens, causant des blessures ou le décès.

1. Fermez la vanne d'alimentation en gaz de l'appareil de chauffage et débranchez l'alimentation électrique de l'appareil de chauffage avant d'effectuer la réparation, à moins qu'il ne soit nécessaire pour suivre votre procédure de réparation.

2. Nettoyez l'orifice principal de l'appareil de chauffage avec de l'air comprimé, ou un linge sec et doux. N'utilisez pas de lime, de perceuse ou de foret, etc. pour nettoyer le trou de l'orifice. Si vous le faites, le trou s'agrandira, causant une combustion ou des problèmes d'allumage. Remplacez l'orifice s'il ne peut pas être bien nettoyé.

3. Les interrupteurs de limite élevée, l'interrupteur « heat »/« vent » et le thermostat peuvent être testés en déconnectant les contacts à la composante et en faisant un pont avec les contacts.

– Rebranchez l'alimentation électrique et ouvrez les vannes d'alimentation en combustible.

– Si l'appareil de chauffage s'allume, la composante est défectueuse et doit être remplacée.

– Ne pas laisser le pont en place ou faire fonctionner l'appareil de chauffage si la pièce est défectueuse. Remplacez la pièce immédiatement.

– Une méthode alternative pour vérifier les composantes est d'effectuer une vérification de continuité.

4. L'interrupteur de vérification de débit d'air ne doit pas être pontée. Si pontée, la commande d'allumage ne permettra pas le fonctionnement de l'appareil de chauffage. Testez l'interrupteur de vérification de débit d'air pour la continuité. Si défectueux, remplacez l'interrupteur.

5. Ouvrez le panneau du boîtier concerné pour accéder aux composantes du brûleur ou du ventilateur.

6. Pour effectuer le remontage, inversez la procédure de réparation respective. Assurez-vous que les raccords de gaz soient bien serrés.

7. Après la réparation, allumez l'appareil de chauffage pour assurer une bonne opération et vérifiez les fuites de gaz.

8. Si des clés pour poulie ou ventilateur sont perdues au cours de l'entretien, les remplacements sont 4,7 mm (3/16 po) carré x barres de 2,54 cm (1 po). Autrement, commandez la pièce no 22955.

## Remplacement de courroie

1. Retirer le protège-courroie de la fournaise. Consulter la Figure 15.

2. Faire pivoter la poulie du ventilateur dans le sens horaire tout en soulevant soigneusement la courroie afin qu'elle se dégage de la rainure de la poulie du ventilateur. Consulter la Figure 16.

3. Vérifier si les poulies du ventilateur et du moteur sont sales. Nettoyer la poulie le cas échéant.

4. Lors de la réinstallation de la courroie, assurez-vous que les flèches sont dirigées dans le sens anti-horaire. Consulter la Figure 17.

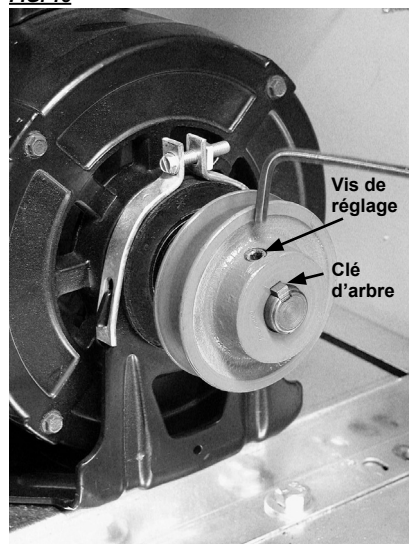
**FIG. 15**



**FIG. 16****FIG. 17**

## Poulies du ventilateur et du moteur

1. Retirez le protège-courroie de l'appareil de chauffage.
2. Retirez la courroie des poulies. Voir remplacement de courroie
3. Desserrer la vis de réglage sur les poulies du ventilateur et du moteur avec une clé Allen 9/64 po. Voir la Fig. 18.
4. Retirez les poulies et les clés de l'arbre du ventilateur et du moteur.

**FIG. 18**

## Dépannage des composants d'entraînement du ventilateur

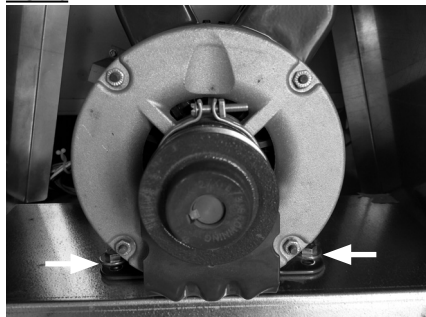
Référez-vous au tableau suivant pour identifier les problèmes de base, les causes et les solutions associées aux systèmes d'entraînement à courroie trapézoïdale.

<b>PROBLÈME</b>	<b>CAUSE</b>	<b>SOLUTION</b>
<b>La courroie glisse</b>	Poulies usées (La courroie touchant le fond de la gorge)	Remplacer les poulies
	Huile ou graisse sur la courroie	Nettoyer les poulies ou la courroie.
<b>La courroie brise</b>	Installation de la courroie incorrecte	Courroie forcée sur les poulies en utilisant des outils aiguisés ou pointus. Installer une nouvelle courroie adéquatement.
<b>La courroie saute la poulie</b> <b>Rainures</b>	Entraînement mal aligné	Vérifier et réaligner
	Saleté qui pénètre dans la poulie	Retirer la ceinture, nettoyer les poulies
	La courroie cogne contre le protège-courroie	Réaligner le protège-courroie (vérifier pour des vis manquantes ou lâches)
<b>Courroie qui craque</b>	Saleté ou graisse sur la courroie ou vieille courroie	Retirer la saleté ou remplacer la courroie.
<b>Courroie qui s'use rapidement</b>	Ceinture qui cogne contre le protège-courroie	Réaligner le protège-courroie (vérifier pour des vis manquantes ou lâches)
	Poulies usées	Remplacer la poulie
	Saleté dans les poulies	Retirer la saleté

## Moteur du ventilateur

1. Retirez le protège-courroie de l'appareil de chauffage.
2. Retirer la courroie du ventilateur.
3. Retirer la poulie du moteur du moteur et du matériel de montage. Voir la Fig. 19.

**FIG. 19**



4. Ouvrez l'accès au panneau d'alimentation électrique sur le moteur et déconnectez le câblage d'alimentation. Voir la Fig. 20.

**FIG. 20**

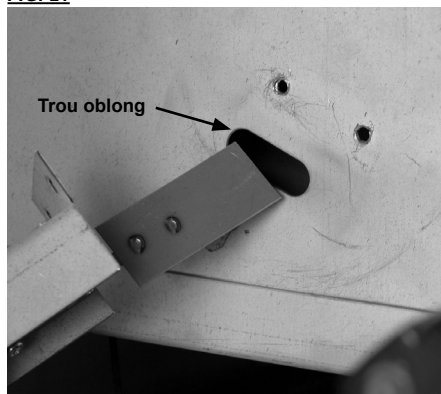


- Assurez-vous que les poulies du moteur et du ventilateur sont adéquatement alignées avant de serrer les poulies à l'arbre du moteur.
- Référez-vous aux procédures d'alignement à l'intérieur du manuel
- Les roulements du moteur sont lubrifiés en permanence.

## Interrupteur de vérification de débit d'air

1. L'interrupteur de vérification de débit d'air est situé sur le panneau latéral du boîtier du ventilateur, à proximité du moteur du ventilateur, à l'intérieur de la grille de ventilation de l'appareil de chauffage.
2. Retirez les vis qui fixent le support d'interrupteur au panneau de boîtier du ventilateur et tournez l'ensemble d'interrupteur afin que la palette sur le bras d'interrupteur puisse être tirée à travers le trou oblong sur le côté du boîtier du ventilateur. Voir la Fig. 21.
3. Déconnectez les contacts de l'interrupteur de vérification de débit d'air.

**FIG. 21**



Si les contacts de l'interrupteur de vérification de débit d'air sont fermés lors d'un appel de chauffage avant que le moteur ne démarre, ou ne se ferment pas après que le moteur du ventilateur démarre, l'allumeur ne produira pas d'étincelle et la vanne de gaz n'ouvrira pas.

## Commande de l'allumage

La commande envoie et reçoit des tensions pour faire fonctionner ou vérifier le fonctionnement des composantes. Référez-vous à ce qui suit et à la figure 22 pour comprendre les désignateurs terminaux de la commande d'allumage si vous effectuez des vérifications de tension sur la commande.

**L1** : Tension d'alimentation principale à commande.

**IND** : Tension d'alimentation principale de la commande au moteur.

**DEL** : Connexion filaire au voyant rouge du sélecteur.

**MV** : 24 VCA de la commande d'allumage à travers les deux interrupteurs de limite élevée à la vanne de commande de gaz.

**PS2** : 24 VCA retour de l'interrupteur de vérification de débit d'air à la commande d'allumage

**PS1** : 24 VCA de la commande d'allumage à l'interrupteur de vérification de débit d'air.

**W** : 24 VCA retour du thermostat à la commande d'allumage

**FS** : Pas de borne.

**R** : 24 VCA de la commande d'allumage au thermostat.

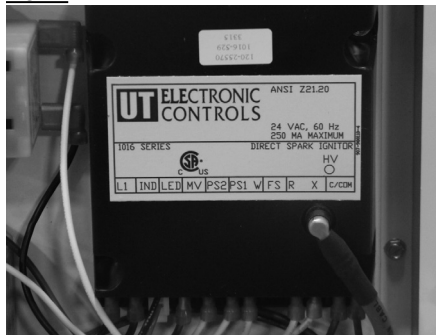
**X** : 24 VCA du transformateur à la commande d'allumage

(sans 24 VCA, la commande ne fonctionnera pas.

**C/COM** : Mise à la terre pour le transformateur et la commande d'allumage.

Se référer également à « Séquence de fonctionnement » dans ce guide au besoin pour comprendre le fonctionnement de la commande d'allumage lors d'un appel de chaleur.

FIG. 22



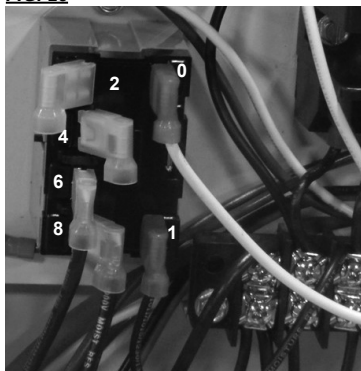
## Relais

Le relais est responsable de l'approvisionnement en puissance au moteur. Les nombres adjacents aux bornes mâles pour référence de la tension reçue et fournie pour le dépannage. Référez-vous à la figure 23 et au tableau suivant de connexion pour les vérifications de tension et de câblage.

Borne	Fonction
2	Non utilisé.
4	Non utilisé.
6	115 VCA du relais pour démarrer le moteur du ventilateur
8	115 V au relais de l'alimentation
0	Neutre pour le relais
1	115 VCA de la commande d'allumage au relais pour la fermeture de la bobine

Si le relais reçoit 115 volts à la borne 8 du bloc d'alimentation, ainsi que 115 volts de la commande d'allumage à la borne 1, mais que la tension n'est pas acheminée au moteur de la borne 6, le relais est défectueux.

FIG. 23

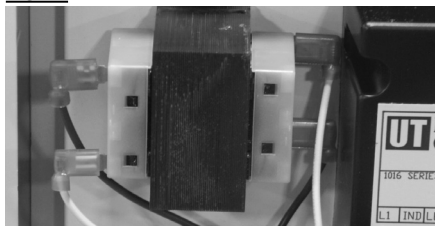


## Transformateur

Le transformateur réduit la tension de l'alimentation principale FIG. 24 à 24 VCA pour le fonctionnement de la commande d'allumage.

Sans cette alimentation de 24 VCA du transformateur, la commande d'allumage ne fonctionnera pas, et l'appareil de chauffage non plus.

FIG. 24

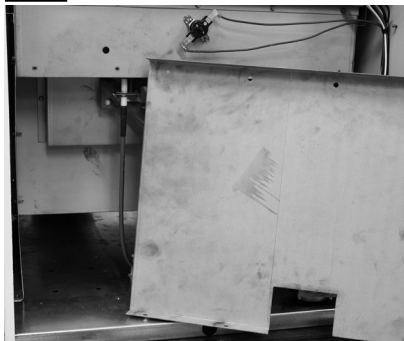




## Ensemble d'allumage

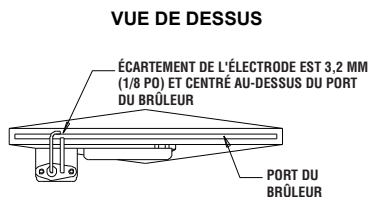
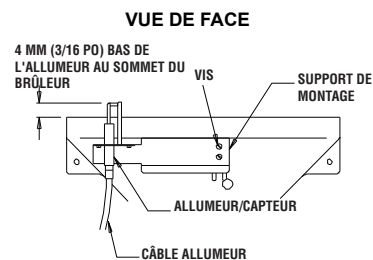
1. Retirez le panneau d'accès au brûleur. Voir la Fig. 25.

**FIG. 25**



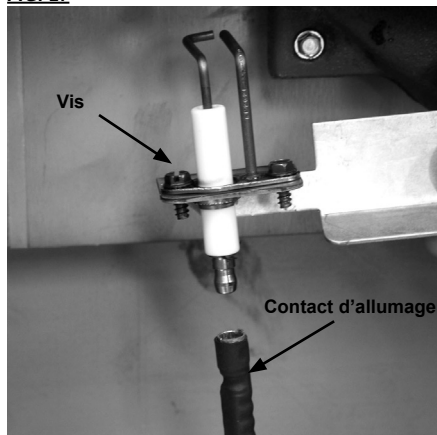
2. L'ensemble d'allumage est situé au sommet de l'enveloppe du brûleur. Retirez les deux vis supportant le support de montage du brûleur. Voir la Fig. 26.

**FIG. 26**



3. Déconnectez le contact d'allumage de haute tension. Retirez les vis. Voir la Fig. 27.

**FIG. 27**



L'allumeur et la tige de mise à la terre devraient être nettoyés au cours de la maintenance de routine pour maintenir un allumage adéquat.

- Utilisez de la laine d'acier ou une toile d'émeri.
- Frottez énergiquement pour retirer l'accumulation de poussière, de saleté, et d'oxyde.

■ Inspectez la base de céramique de l'allumeur pour des fissures.

- Remplacez l'allumeur si des fissures sont trouvées.

## Interrupteurs de limite élevée à réinitialisation manuelle



### AVERTISSEMENT Risque de brûlure

- Ne pas faire fonctionner l'appareil de chauffage lorsque les interrupteurs de limite élevée sont contournés.
- Faire fonctionner l'appareil de chauffage avec des interrupteurs de limite élevée contournés peut entraîner une surchauffe, possiblement un incendie avec des dommages subséquents à l'appareil de chauffage et à la propriété.

Cet appareil de chauffage a deux interrupteurs de limite élevée. Un est situé à l'extrémité du brûleur de l'appareil de chauffage sur la chambre de chauffage. Voir la Fig. 28. L'autre est situé sur le boîtier du ventilateur derrière le moteur du ventilateur. Voir la Fig. 29.

FIG. 28

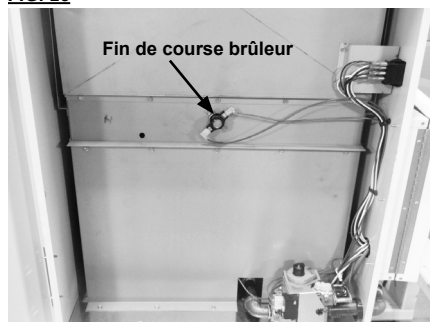


FIG. 29



Leur fonction est d'arrêter l'appareil de chauffage de manière sécuritaire si une surchauffe devait se produire.

**Fin de course brûleur :** Protège le brûleur et le câblage associé de la surchauffe causée par une pression de gaz excessive.

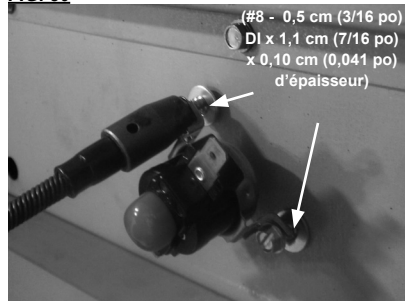
**Fin de course moteur :** Protège de la surchauffe si le conduit est plié ou restreint, ou si l'entrée d'air est bloquée.

Les interrupteurs sont câblés en série et déconnecteront l'alimentation à la vanne de commande de gaz s'ils détectent une condition de surchauffe.

Les deux interrupteurs de limite élevée devraient être testés au moins une fois par an lorsque le chauffage est nettoyé en profondeur.

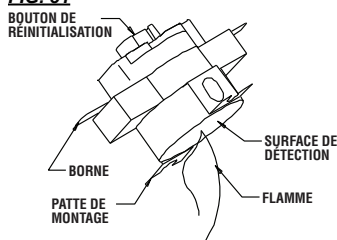
1. Retirez les interrupteurs de limite élevée de l'appareil de chauffage. Retirez également le capuchon rouge des deux interrupteurs. L'interrupteur de limite élevée du brûleur a une rondelle située entre chaque pied de l'interrupteur et la chambre de chauffage. Les rondelles agissent comme des entretoises et empêchent le déclenchement prématuré. Les deux doivent être réinstallés après avoir effectué ce test. Voir la Fig. 30.

FIG. 30



2. En tenant un interrupteur par l'un de ses pieds, appliquez une petite flamme seulement à la portion de détection à l'arrière de l'interrupteur. Voir la figure 31. Veillez à ne pas faire fondre le boîtier en plastique de l'interrupteur lorsque vous effectuez ce test.

FIG. 31

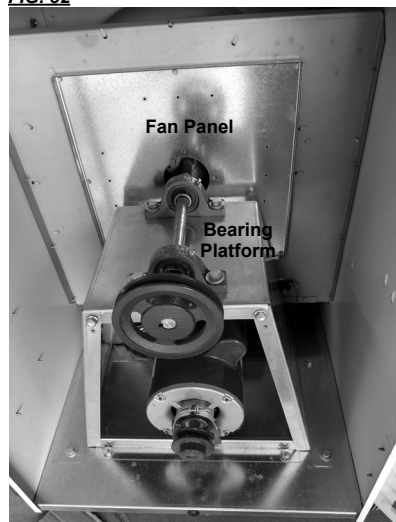


3. À l'intérieur d'une minute, vous devriez entendre les contacts de l'interrupteur s'ouvrir.
4. Laisser l'interrupteur refroidir pendant environ une minute avant d'appuyer fermement sur le bouton de remise à zéro. Remettre le capuchon rouge sur l'interrupteur.
5. Vérifier la continuité électrique entre les bornes de l'interrupteur pour vous assurer que les contacts se sont fermés.

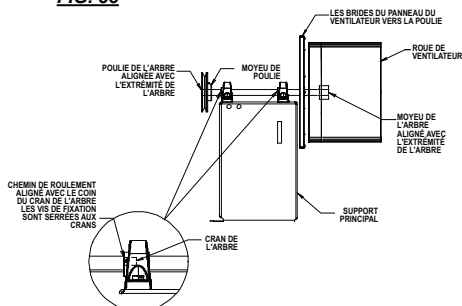
## Roue du ventilateur, roulements et arbre

- Retirer ce qui suit :
  - Protège-courroie et courroie.
  - Boulons et rondelles fixant la plateforme de roulement à la base de la fournaise.
  - Vis fixant le panneau du ventilateur sur le boîtier du ventilateur.
- Faire glisser l'ensemble complet de la fournaise.
- Remplacer les composants au besoin
- Lors de la réinstallation, s'assurer que l'arbre du ventilateur est de niveau avec le moyeu du ventilateur et la poulie du ventilateur. Voir la Fig. 34.

**FIG. 32**



**FIG. 33**



## Orifice du brûleur et vanne de commande de gaz

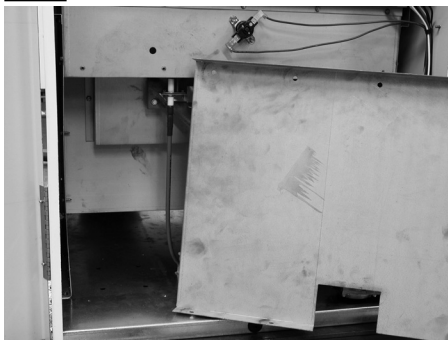
- Retirez le tuyau et le raccord fileté de l'entrée de la vanne de commande.
- Ouvrez la porte d'extrémité de l'appareil de chauffage.
- Retirez les vis du support de commande de gaz et déconnectez le câblage électrique de la vanne. Voir la Fig. 34.

**FIG. 34**



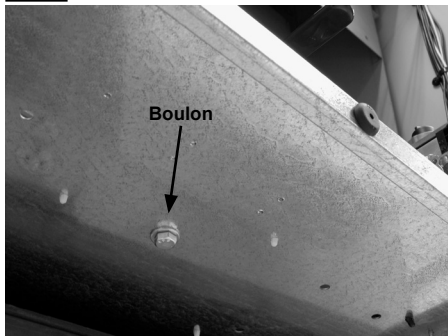
- Retirez le panneau d'accès au brûleur. Voir la Fig. 35.

FIG. 35



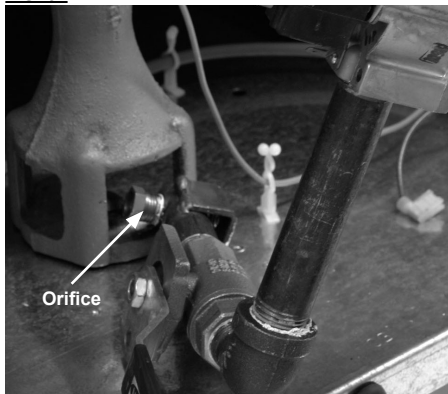
5. Retirez le boulon de retenue du brûleur d'en dessous de la base à la commande de gaz à l'extrémité de l'appareil de chauffage. Voir la Fig. 36.

FIG. 36



6. Soulevez et faites pivoter l'ensemble train de gaz afin d'exposer l'orifice. Voir la figure 37, Dual Fuel montré. Remplacez la vanne de commande ou l'orifice, au besoin.

FIG. 37

**MISE EN GARDE**

- Ce qui suit explique la procédure typique à suivre pour vérifier

## Vérifiez la pression du gaz

### **⚠ AVERTISSEMENT** Risque de brûlure

- Ne pas démonter la vanne de commande de gaz.
- N'essayez pas de remplacer toute composante de la vanne de commande de gaz.
- La vanne de commande de gaz doit être remplacée si tout dommage physique se produit.
- Le non-respect de cet avertissement peut causer un incendie ou des explosions, endommageant les biens, causant des blessures aux humains ou le décès.

les pressions de gaz.

- Les pressions de gaz vont varier selon le type de gaz.
- Consultez la plaque signalétique sur l'appareil de chauffage ou la page 4 dans ce manuel pour des pressions spécifiques à utiliser conjointement avec cette procédure.
- La pression de gaz mesurée à l'entrée de la vanne de gaz est la Pression d'entrée et la pression de gaz mesurée à la sortie de la vanne de gaz est la Pression de la rampe du brûleur.

**MATÉRIEL REQUIS**

Quantité	Description
2	Jauges de pression capables de lire jusqu'à 35 po CE/8,7 kPA. (Disponible de L.B. White Company si souhaité)

**A. Préparation**

1. Déconnectez l'appareil de chauffage de l'alimentation électrique et fermez la vanne d'alimentation en gaz à l'appareil de chauffage.
2. Ouvrez le panneau d'accès à l'extrémité de l'appareil de chauffage.
3. Brossez ou soufflez la poussière et la saleté se trouvant sur ou dans la vanne de commande de gaz.

**B. Installation de la jauge**

1. Repérez les robinets manométriques de commande du gaz. Voir la figure 38 pour vanne à un étage, ou la figure 39 pour une vanne à deux étages. À l'aide d'une clé Allen de 3/16 po, retirez les bouchons des robinets manométriques.
2. Connectez solidement les jauges de pression à ces points.
3. Ouvrez les vannes d'alimentation en gaz à l'appareil de chauffage et reconnectez l'alimentation électrique également.
4. Démarrez l'appareil de chauffage.

FIG. 38

## À UN ÉTAGE

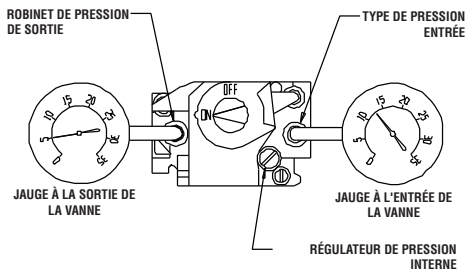
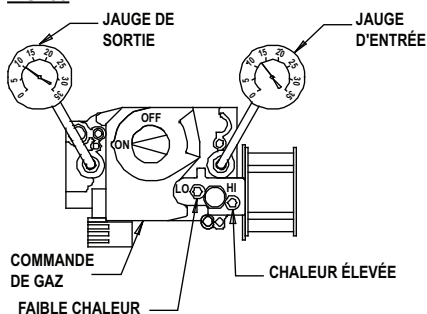


FIG. 39

## À DEUX ÉTAGES



## C. Lecture des pressions

1. Avec l'opération de l'appareil de chauffage, la jauge de pression devrait indiquer la pression spécifiée sur la plaque signalétique.
2. Est-ce que les lectures aux jauges de pression d'entrée et de sortie correspondent à ce qui est spécifié sur la plaque signalétique? Si oui, aucune besoin de vérification ou d'ajustement. Passez à la Section D.
3. Si les pressions d'entrée ne correspondent pas à ce qui est spécifié sur la plaque signalétique, alors le régulateur qui contrôle la pression du gaz vers l'appareil de chauffage requiert un ajustement.
4. Si la pression d'entrée est correct, mais que la pression de la rampe du brûleur ne correspond pas à ce qui est spécifié sur la plaque signalétique, alors le régulateur de pression interne de la vanne de commande de gaz requiert un ajustement :

## Appareil de chauffage Premier 350 DF :

- Retirez le capuchon du régulateur sur la vanne de commande.
- En utilisant un tournevis standard, tournez la vis de réglage dans le sens horaire (pour augmenter la pression) ou antihoraire (pour diminuer la pression) jusqu'à ce que la pression de la rampe du brûleur soit réglée.
- Installer le capuchon du régulateur.
- Procédez à EXÉCUTION.

## Appareil de chauffage Premier 350 au gaz propane

- Réglez le thermostat à son réglage le plus bas.
- Retirez le capuchon des vis de réglage de la haute et basse chaleur au régulateur à deux étages de pression sur la vanne de commande de gaz.
- Faites tourner le thermostat vers le haut jusqu'à ce qu'une pression soit lue, pas supérieure à 2,0 po CE/0,49 kPa à a jauge de sortie de pression.
- Si une pression inférieure est observée, le réglage de basse chaleur sur le régulateur sur la commande de gaz nécessitera de l'ajustement.
- Tournez dans le sens horaire pour augmenter ou antihoraire pour diminuer la pression.
- Tournez le thermostat complètement vers le haut.
- Vous devriez voir la pression du gaz augmenter de 2,0 po CE/0,49 kPa à basse chaleur à 8,0 po CE/2,0 kPa en haute chaleur .
- Si des pressions plus ou moins élevées sont observées, le réglage de haute chaleur doit être ajusté en sens horaire ou antihoraire, selon le cas, jusqu'à ce que la pression adéquate soit atteinte.

## D. Exécution

1. Une fois que les pressions d'entrée et de la rampe de brûleur sont confirmées et/ou configurées correctement, fermez la vanne d'alimentation en gaz de l'appareil de chauffage et laissez-le brûler tout le gaz restant dans la ligne d'alimentation en gaz.
2. Débranchez l'appareil de chauffage de l'alimentation électrique et fermez la vanne d'alimentation en combustible.
3. Retirez les jauges.
4. Installez les bouches de prises de pression.
5. Ouvrez la vanne d'alimentation de combustible et reconnectez l'alimentation électrique à l'appareil de chauffage. Démarrez l'appareil de chauffage et vérifiez s'il y a des fuites de gaz.
6. Réglez le thermostat à la température souhaitée.

# Guide de dépannage

**LISEZ TOUTE CETTE SECTION AVANT DE COMMENCER À RÉSOUDRE LES PROBLÈMES.**

## AVERTISSEMENT

- Cet appareil de chauffage peut démarrer à n'importe quel moment.
- Effectuer le dépannage de ce système peut signifier faire fonctionner l'unité avec la tension et le gaz en marche. Soyez prudents lorsque vous travaillez sur l'appareil de chauffage.
- Le non-respect de cet avertissement peut causer des dommages à la propriété, des blessures personnelles ou le décès.

Le guide de dépannage suivant fournit les procédures systématiques pour isoler les problèmes d'équipement. Ce guide est conçu pour être utilisé par une PERSONNE QUALIFIÉE EN APPAREIL DE CHAUFFAGE AU GAZ. NE TENTEZ PAS DE RÉPARER CES APPAREILS DE CHAUFFAGE À MOINS D'AVOIR ÉTÉ DUMENT FORMÉ.

### ÉQUIPEMENT DE TEST REQUIS

Les pièces d'équipement de test suivantes seront nécessaires pour dépanner ce système avec un minimum de temps et d'efforts.

- **Multimètre numérique** - pour mesurer la tension CA et la résistance.
- **Jauge de basse pression** - pour vérifier les pressions d'entrée et de sortie à la vanne de commande de gaz contre la notation maximale de la plaque signalétique.
- Inspectez visuellement l'équipement pour des dommages apparents.
- Inspectez tout le câblage pour des connexions lâches ou usées

Référez-vous à la séquence de fonctionnement du système dans cette section pour acquérir une compréhension de la façon dont l'équipement fonctionne au cours d'un appel de chaleur. Comprendre la séquence de fonctionnement du module d'allumage et des composants reliés est essentiel, car il y sera fait référence directement dans les organigrammes de résolution de problèmes.

Le module de commande d'allumage est autodiagnostique. Le voyant rouge, situé dans le sélecteur, clignotera selon une séquence spécifique selon le problème qui est identifié. Pour utiliser efficacement les organigrammes, vous devez d'abord identifier le problème par la séquence de la DEL (diode électroluminescente)

diagnostique. Si le voyant clignote, la séquence de clignotement sera suivie par une pause, puis à nouveau la séquence de clignotement, jusqu'à ce que le problème soit résolu. Référez-vous aux tableaux ci-dessous pour identifier à quelle page vous référer lors de la résolution de problèmes.

Le voyant DEL ne sera allumé que lorsque le sélecteur est positionné à « HEAT » (chaleur) et que le thermostat est réglé à une température au-dessus de la température ambiante. Le voyant ne s'allumera pas lorsque le sélecteur est positionné à « VENT ».

<u>Problèmes en mode chauffage</u>	<u>Page</u>
Le voyant DEL n'est pas allumé .....	32
Le voyant diagnostic DEL clignote :	
A. Une fois .....	33
B. Deux fois .....	34
C. Trois fois .....	35
D. Quatre fois .....	35
E. Cinq fois .....	35

<u>Problèmes en mode ventilation</u>	<u>Page</u>
A. Le moteur ne fonctionne pas .....	36
B. Le moteur bourdonne, mais ne fonctionne pas .....	36
C. Le moteur fonctionne avec une sortie d'air faible .....	36

Les composants doivent être remplacés seulement après avoir complété chaque étape et le remplacement doit se faire selon ce qui est suggéré dans l'organigramme. Référez-vous aux sections de Réparation tel que nécessaire pour obtenir de l'information sur les procédures de démontage et de remplacement du composant une fois que le problème est identifié sur l'organigramme.

### SÉQUENCE DE FONCTIONNEMENT D'ALLUMAGE DIRECT

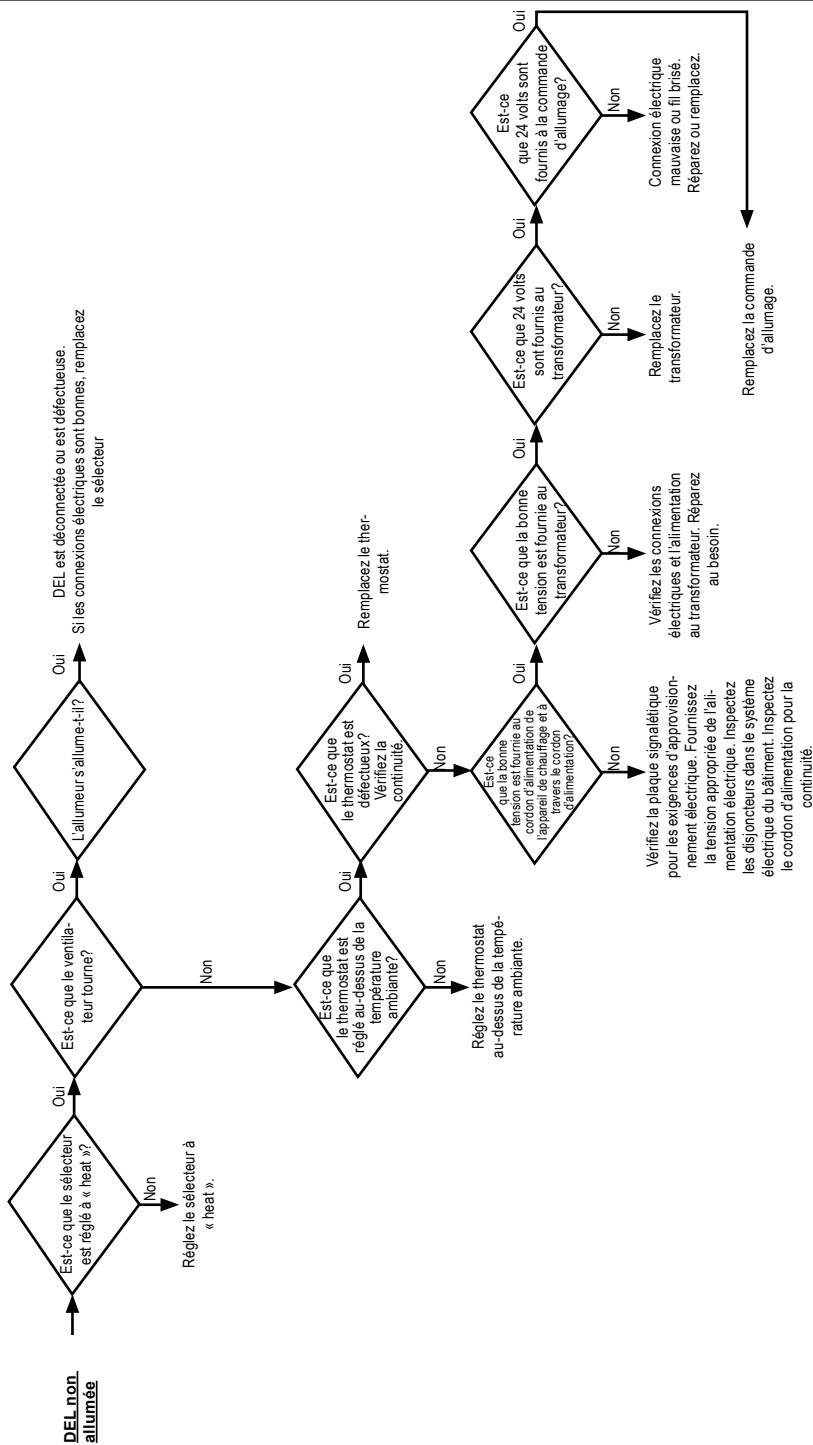
- :
- Le sélecteur est réglé à « heat ».
  - La tension de la ligne est envoyée à la commande d'allumage et au transformateur.
  - Le transformateur réduit la tension de la ligne à 24 volts qui est envoyée au thermostat.
  - Le thermostat demande de la chaleur.
  - Le thermostat envoie 24 volts à la commande d'allumage.
    - Le voyant diagnostic rouge est illuminé
    - Le module de commande d'allumage effectue un auto contrôle de sécurité.
    - Les composants internes sont testés.
    - Le circuit de vérification d'air est vérifié.
  - Le module de commande d'allumage commence la séquence d'essai d'allumage
  - Le module de contrôle de l'allumage envoie 24 volts à l'interrupteur de vérification de débit d'air.
  - La commande d'allumage envoie la tension de la ligne au relais du moteur
    - Le relais du moteur se ferme et le ventilateur du moteur démarre.
  - L'interrupteur de vérification de débit d'air se ferme et 24 volts sont retournés au module de commande d'allumage.
  - Le module de contrôle d'allumage envoie de la haute tension à l'électrode d'allumage.

- L'allumeur fait une étincelle.
- Le module de contrôle de l'allumage envoie 24 volts à la vanne de commande de gaz à travers les interrupteurs de limite élevée.
  - La vanne de commande de gaz s'ouvre
- L'allumage se produit.
  - L'allumeur continue à faire des étincelles jusqu'à ce qu'une flamme apparaisse.
  - L'étincelle de démarrage s'éteint.
  - La vanne de gaz reste ouverte.
- La pièce se réchauffe à la température désirée.
- Le thermostat est satisfait.
  - La commande de gaz se ferme, le brûleur s'éteint.
  - **Le moteur du ventilateur continue de tourner pour 1 minute, refroidissant la chambre de chaleur.**
    - Le moteur du ventilateur s'arrête.
    - L'appareil de chauffage s'éteint.
- Le processus recommence lors d'un appel de chaleur.

#### ÉCHEC DE LA SÉQUENCE D'ALLUMAGE :

- L'essai pour l'allumage dure environ 10 secondes.
- Si le module d'allumage ne détecte pas une flamme à l'intérieur du temps d'allumage, le module passe en verrouillage de sécurité (séquence de 3 clignotements).
  - La vanne de gaz se ferme
  - L'étincelle d'allumage s'éteint
  - Le moteur du ventilateur s'arrête.
- Pour réessayer l'allumage, le système doit être remis à zéro :
  - Tournez le thermostat vers le bas puis vers le haut pour faire un appel de chaleur ou débranchez l'appareil de chauffage et rebranchez-le ou
  - Positionnez le sélecteur à « OFF » puis à « ON ».

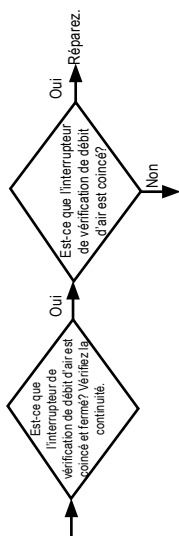
**DEL constamment allumée :** → **Fonctionnement normal**



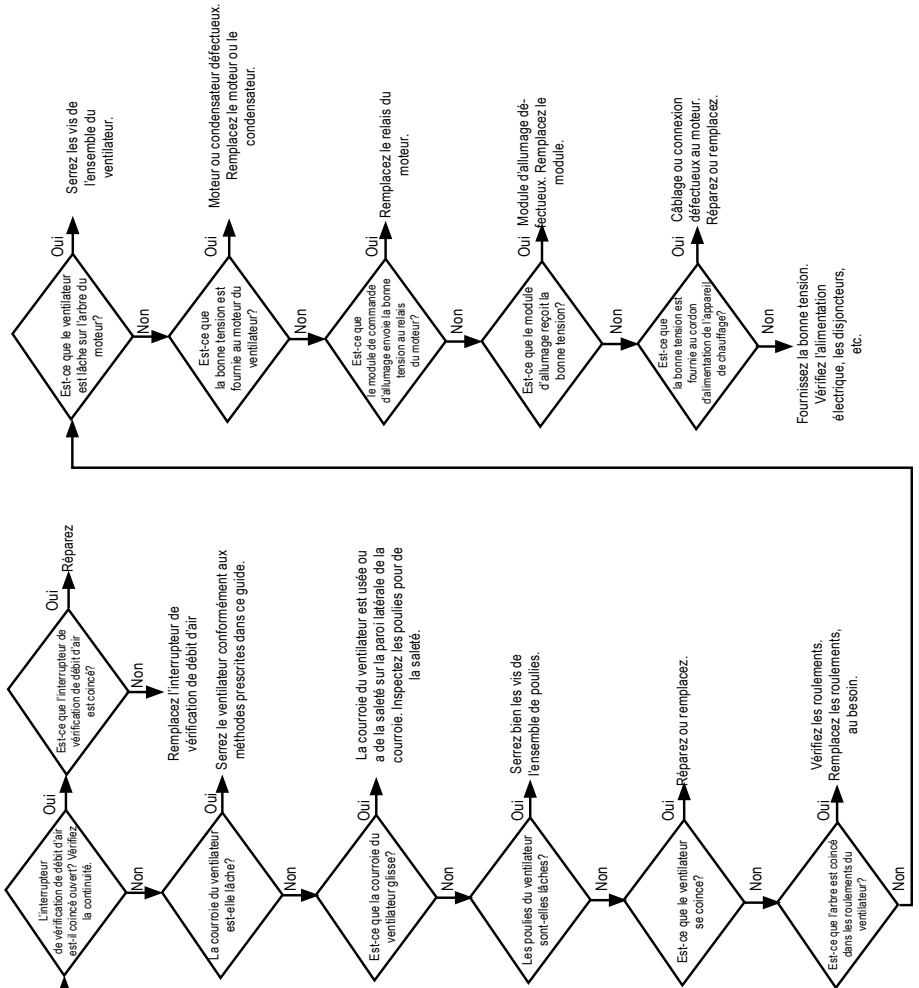


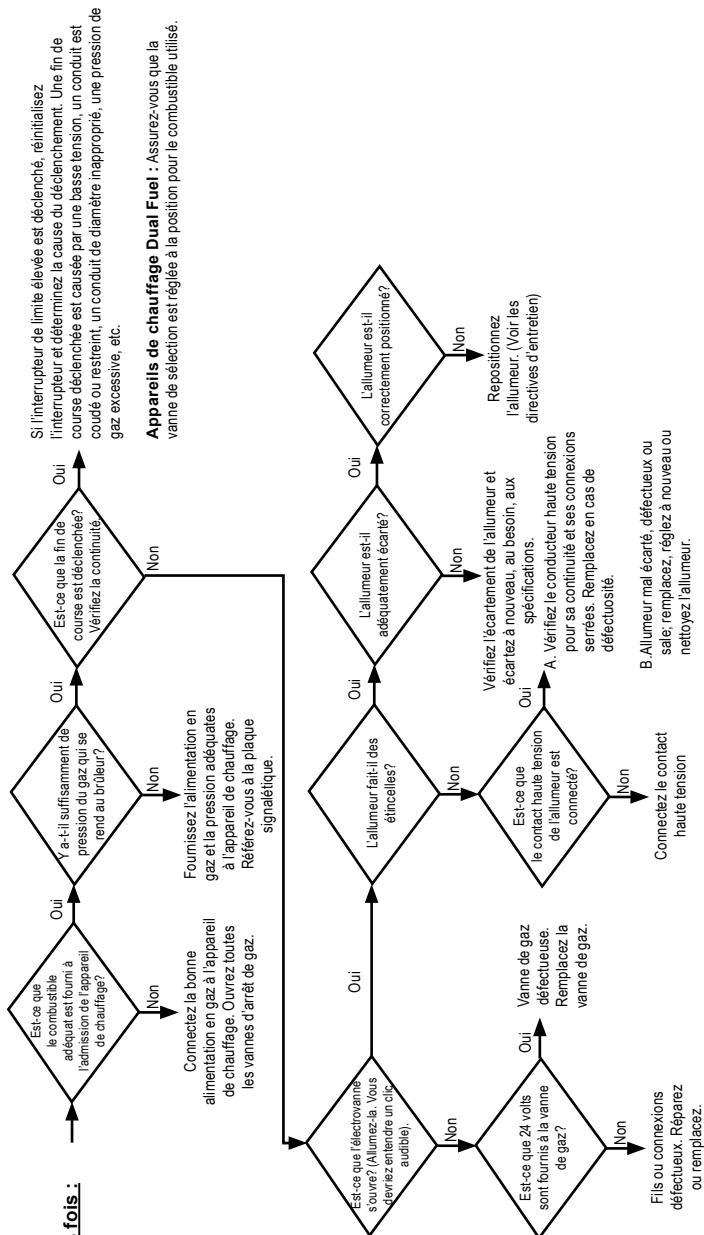
**DEL cignote**

**Une fois :  
Les contacts de  
l'interrupteur de  
vérification de débit  
d'air sont fermés  
avant que le moteur  
du ventilateur ne  
démarré.**



**Deux fois :**

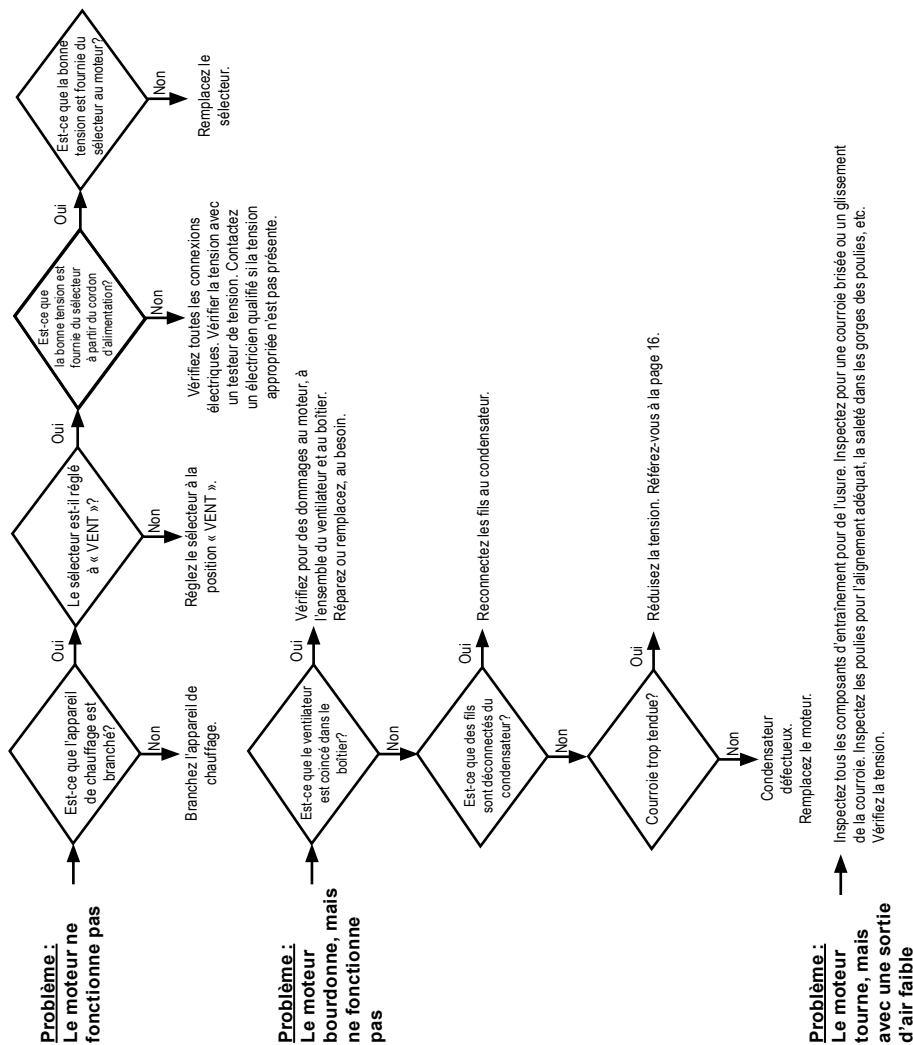


**Trois fois :****Quatre fois :**

Problèmes de détection de la flamme. Inspectez pour un capteur de flamme fissuré ou sale, un capteur mal positionné ou un sol de détection de la flamme pauvre.

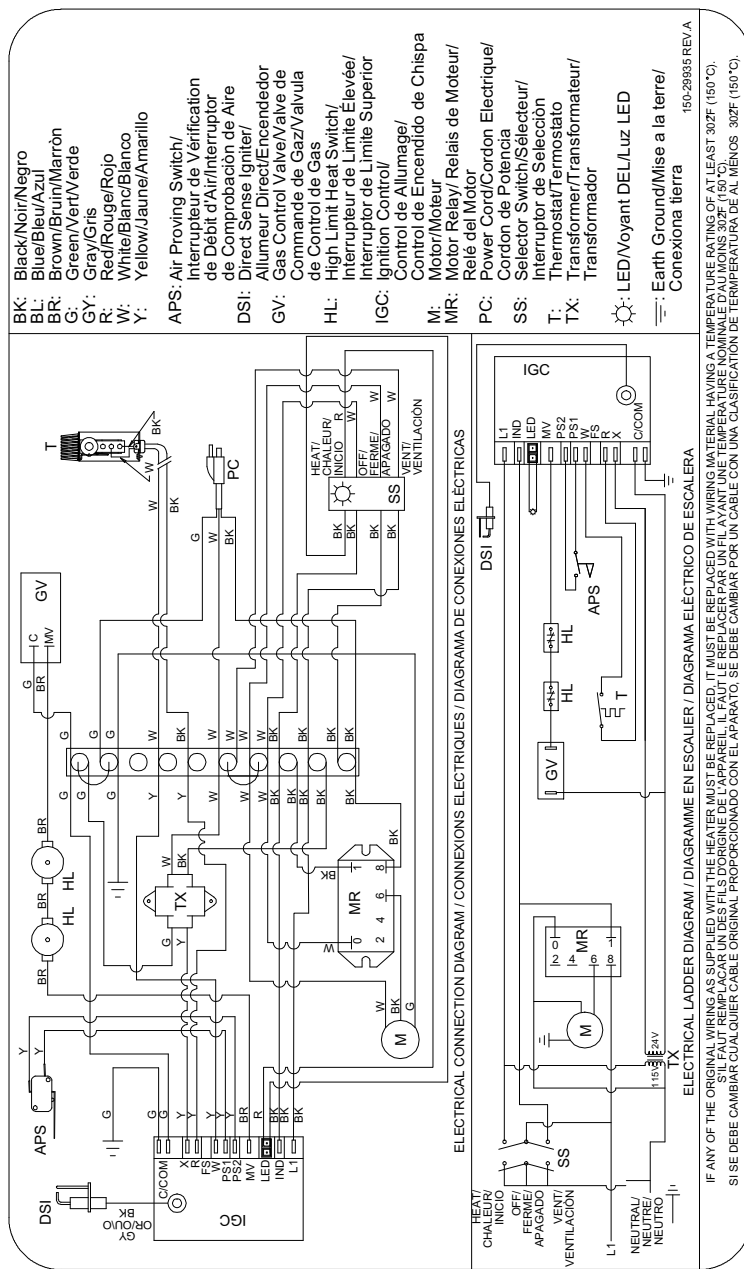
**Cinq fois :**

Si le module de commande ne se réinitialise pas, alors remplacez-le (défaut interne du panneau). Si le module de réinitialise, demandez à un électricien qualifié de vérifier la source d'alimentation pour des problèmes liés à la puissance. (Fréquence, bruit de la ligne, pointes de ligne, connexions lâches, trop petit calibre de fil)



## Raccordement électrique et diagramme à échelle

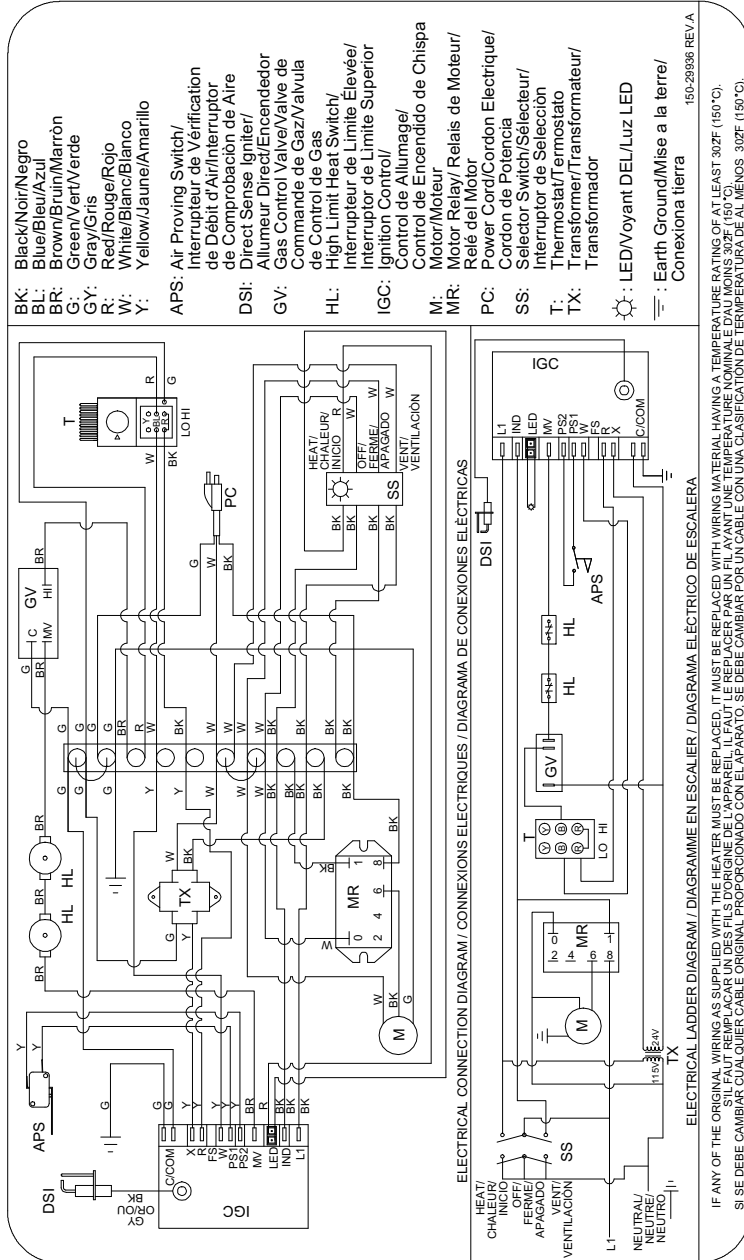
## Premier 350 DF



# Raccordement électrique et diagramme à échelle

## Premier 350 Gaz propane

www.lbwwhite.com



- BK: Black/Noir/Negro
- BL: Blue/Bleu/Azul
- BR: Brown/Brun/Marrón
- G: Green/Vert/Verde
- GY: Gray/Gris
- R: Red/Rouge/Rojo
- W: White/Blanc/Bianco
- Y: Yellow/Jaune/Amarillo
- APS: Air Proving Switch/  
Interrupteur de Vérification  
de Débit d'Air/Interruptor  
de Comprobación de Aire
- DSI: Direct Sense Igniter/  
Allumeur Direct/Encendedor  
de Gas Control Valve/Valve de  
Commande de Gaz/Valvula  
de Control de Gas
- HL: High Limit Heat Switch/  
Interrupteur de Limite Elevée/  
Interruptor de Limite Superior
- IGC: Ignition Control/  
Control de Allumage/  
Control de Encendido de Chispa
- M: Motor/Moteur
- MR: Motor Relay/ Relais de Moteur/  
Relé del Motor
- PC: Power Cord/Cordon Electrique/  
Cordon de Potencia
- SS: Selector Switch/Sélecteur/  
Interruptor de Selección
- T: Thermostat/Termostato
- TX: Transformer/Transformateur/  
Transformador
- ☀: LED/Voyant DEL/Luz LED
- ⏏: Earth Ground/Mise a la terre/  
Conexiona tierra

150-29306 REV. A

IF ANY OF THE ORIGINAL WIRING AS SUPPLIED WITH THE HEATER MUST BE REPLACED WITH WIRING MATERIAL HAVING A TEMPERATURE RATING OF AT LEAST 302F (150°C).  
SIL FAUT REMPLACER UN DES FILS D'ORIGINE DE L'APPAREIL, IL FAUT LE REMPLACER PAR UN FIL AYANT UNE TEMPERATURE NOMINALE D'AU MOINS 302F (150°C).  
SI SE DEBE CAMBIAR CUALQUIER CABLE ORIGINAL PROPORCIONADO CON EL APARATO, SE DEBE CAMBIAR POR UN CABLE CON UNA CLASIFICACION DE TEMPERATURA DE AL MENOS 302F (150°C).

## Fonction du composant de l'appareil de chauffage

### **Interrupteur de vérification de débit d'air**

Dispositif de sécurité utilisé pour assurer que le débit d'air est obtenu avant que la vanne de gaz soit ouverte.

### **Courroie**

Composant d'entraînement de friction utilisé pour la transmission de la puissance du moteur à l'arbre du ventilateur. Utilisé conjointement avec les poulies du moteur et du ventilateur.

### **Brûleur**

Composante en fonte utilisée pour canaliser le gaz et fournir une zone dans laquelle le combustible peut s'enflammer.

### **Orifice du brûleur**

Dispositif de dosage en laiton utilisé pour alimenter le gaz au brûleur à un taux spécifique.

### **Module de contrôle « direct spark ignition » DSI**

Carte de circuit imprimé électronique qui envoie et reçoit les voltages de/à divers contrôles dans un système d'allumage automatique. Une fonctionnalité de sécurité importante du panneau de commande est qu'il fermera l'ensemble de l'appareil de chauffage, arrêtant ainsi l'écoulement du gaz combustible, si la flamme du brûleur s'éteint.

### **Boîtier du ventilateur**

Chambre utilisée pour fournir de l'air pour une circulation d'air efficace.

### **Roue de ventilateur**

Composante utilisée conjointement avec le boîtier du moteur et du ventilateur pour tirer l'air chaud de l'appareil de chauffage et le souffler dans la salle pour le chauffage (également connu comme une cage d'écureuil).

### **Vanne de commande de gaz**

Dispositif électrique constitué d'un régulateur de basse pression et de solénoïdes électriques utilisés pour le contrôle des flux de gaz à l'ensemble du brûleur. Une caractéristique de la vanne de commande est un arrêt du gaz intégré qui peut être utilisé pour isoler l'appareil de chauffage de son alimentation en gaz lors de l'entretien.

### **Tuyau de gaz**

Connecteur flexible utilisé pour transporter le gaz de la ligne d'alimentation dans le bâtiment vers l'appareil de chauffage.

### **Vanne de sélection de gaz (Appareils de chauffage DF seulement)**

Permet une sélection facile du gaz en fonction du gaz fourni au site de travail. Élimine le besoin de changer d'orifice de brûleur et de réinitialiser la vanne de commande de gaz.

### **Chambre de chaleur**

Boîte à feu métallique à l'intérieur de l'appareil qui fournit une zone où la flamme du brûleur se mélange avec l'air de combustion, fournissant ainsi de la chaleur.

### **Interrupteur de limite élevée**

Dispositif de sécurité câblé dans le système de commande qui est utilisé pour briser un circuit électrique à la vanne de commande de gaz en cas de situation de surchauffe.

### **Allumeur**

Dispositif d'allumage utilisé sur les systèmes de contrôle DSI. Allume le gaz par une étincelle.

### **Moteur**

Appareil électrique utilisé pour forcer l'air préchauffé à travers l'appareil de chauffage et pour faire circuler la chaleur dans une certaine zone. Convertit l'énergie électrique en énergie mécanique.

### **Relais moteur**

Composante électrique câblée entre la commande de l'allumage et le moteur. Utilisé pour alimenter le moteur en tension sur réception de tension de la commande d'allumage.

### **Poulies**

Composants d'entraînement de friction à rainures responsables de la transmission de la puissance du moteur à l'arbre du ventilateur. Utilisées conjointement avec une courroie trapézoïdale.

### **Régulateur**

Appareil mécanique utilisé dans les systèmes de distribution de gaz naturel et de GPL pour réduire la pression d'admission supérieure à une pression préréglée inférieure. Le régulateur est responsable de fournir une pression de sortie constante à l'appareil de chauffage malgré les changements dans la pression d'admission, la demande de l'appareil de chauffage et les conditions météo.

### **Interrupteur de sélection**

Dispositif électrique qui est utilisé pour permettre à l'utilisateur final de choisir entre le chauffage et la ventilation.

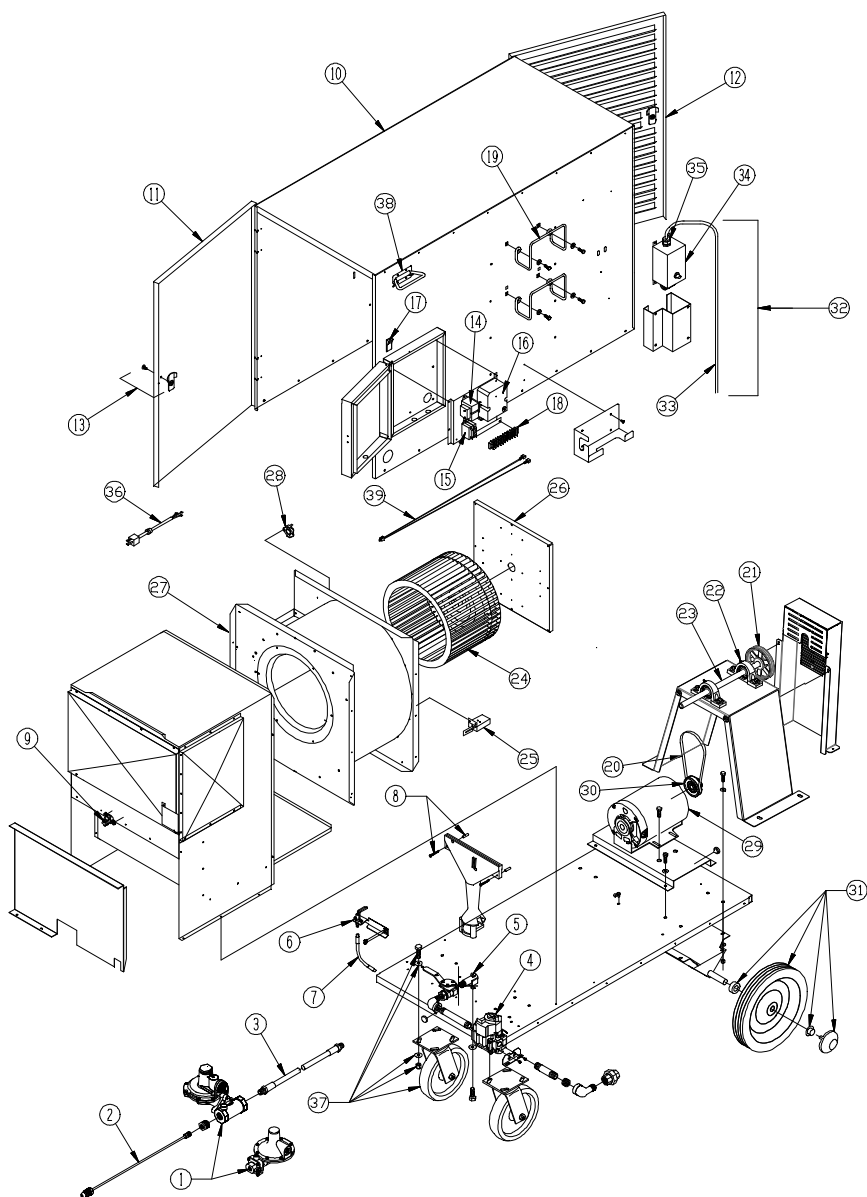
### **Thermostats**

Dispositif électrique utilisé comme un interrupteur « ON/ OFF » (Marche/Arrêt) qui répondra aux changements de température dans une certaine zone. Peut être câblé pour que les contacts dans le thermostat s'ouvrent et se ferme lors de l'augmentation ou la diminution de température.

### **Transformateur**

Contrôle électrique utilisé pour accepter la tension primaire de l'alimentation électrique et la réduire en une tension inférieure secondaire.

## Schéma d'identification des pièces de service





Article	Description		Numéro de pièce
1	Régulateur	Mixte gaz-fuel	500-25141
		Gaz propane	500-25767
2	Connecteur en queue de cochon	Mixte gaz-fuel et gaz propane	500-25766
3	Tuyau, 0,02 m DI x 4,6 m (3/4 DI x 15 pi)		500-25965
4	Vanne, commande de gaz	Mixte gaz-fuel	500-24025
		Gaz propane	523153
5	Orifice du brûleur	Mixte gaz-fuel	573715
		Gaz propane	571140
6	Allumeur		571662
7	Contact, allumage		571206
8	Matériel de montage du brûleur (2 chaque vis et entretoise)		570211
9	Interrupteur, fin de course, extrémité brûleur, 162,8 °C (325 °F)		571262
10	Ensemble de boîtier		573472
11	Panneau, accès au boîtier, brûleur		573473
12	Panneau, accès au boîtier, grille d'accès		573471
13	Loquet		570228
14	Transformateur		509615
15	Relais		570221
16	Commande de l'allumage		500-25590
17	Interrupteur, sélection avec DEL		571411
18	Bornier		571259
19	Support pour tuyau		571619
20	Courroie		573716
21	Poulie, ventilateur		571303
22	Roulement, coussin de palier (2 par numéro de pièce)		571294
23	Arbre, 1,9 cm (3/4 po) dia, avec 0,5 cm (3/16 po) clavetage		571820
24	Ventilateur		571309
25	Interrupteur, vérificateur d'air		571299
26	Panneau, accès ventilateur		573717
27	Boîtier, ventilateur avec interrupteur de limite élevée et vérificateur d'air		571272
28	Interrupteur, fin de course, extrémité ventilateur, 87 °C (190 °F)		571400
29	Moteur		571327
30	Poulie, moteur		571067
31	Ensemble de roue (inclut 1 de chaque : roue, cache-moyeu, capuchon de retenue et entretoise)		571153
32	Ens. thermostat avec 6,1 m (20 pi) de cordon Premier 350		500-22920
		Premier 350 DF	500-20176

33	Cordon, thermostat	573718
34	Thermostats Premier 350	500-23778
	Premier 350 DF	500-09381
35	Connecteur, étanche	570348
36	Cordon, alimentation, 3,1 m (10 pi)	571248
37	Roue, roulette avec matériel de montage	571193
38	Poignée, boîtier	571628
39	Fils, DEL	571384

\*NON MONTRÉ : Clé du ventilateur pour les poulies du ventilateur et du moteur et de l'arbre du ventilateur 22955

## Remarques

## Politique de garantie

### **APPAREIL DE CHAUFFAGE**

L.B. White Company, LLC garantit que les éléments constitutifs de son appareil de chauffage sont exempts de défaut de matériaux et de fabrication, lorsqu'ils sont correctement installés, utilisés et entretenus, conformément aux directives d'installation et d'entretien, aux guides de sécurité, ainsi qu'aux étiquettes contenues avec chaque unité. Si, dans les 24 mois à compter de la date d'achat par l'utilisateur final, un composant est jugé défectueux, L.B. White Company, LLC à son choix, réparera ou remplacera la pièce ou l'appareil de chauffage, par une nouvelle pièce ou un nouvel appareil de chauffage, F.O.B., Onalaska, Wisconsin.

L'enregistrement en ligne de votre produit auprès de L.B. White qualifiera automatiquement un appareil et ses composants à des fins de considération de garantie. Si un produit n'a pas été enregistré auprès de L.B. White, une copie de l'acte de vente sera nécessaire pour établir la qualification de la garantie. Si elle n'est pas disponible, la période de garantie sera de 24 mois à compter de la date d'expédition de L.B. White.

### **PIÈCES**

L.B. White Company, LLC garantit que les pièces de rechange achetées auprès de la société et utilisées sur les équipements L.B. White appropriés sont exempts de défaut, à la fois matériel et de fabrication, pendant 24 mois à compter de la date d'achat par l'utilisateur final. La garantie est automatique si un composant est jugé défectueux dans les 24 mois suivant le code de la date indiquée sur la pièce. Si le défaut se produit plus de 24 mois plus tard, mais dans les 24 mois à compter de la date d'achat par l'utilisateur final, une copie de l'acte de vente sera nécessaire pour établir la qualification de la garantie.

La garantie énoncée ci-dessus est la garantie exclusive fournie par L.B. White, et toutes les autres garanties, y compris les garanties implicites de qualité marchande ou d'adéquation à un usage particulier, sont expressément exclues. Dans le cas où une garantie implicite n'est pas effectivement accordée

en raison de l'opération de la loi, cette garantie implicite est limitée en durée à la durée de la garantie applicable indiquée ci-dessus. Les solutions mentionnées ci-dessus sont les seuls et exclusifs recours disponibles aux termes des présentes. L.B. White ne sera pas responsable des dommages indirects ou consécutifs, directement ou indirectement liés à la vente, à la manutention ou à l'utilisation de l'équipement, et dans le cas où la responsabilité de L.B. White à l'égard de l'équipement, y compris pour les demandes basées sur la négligence ou la responsabilité stricte, se limite au prix d'achat.

Certains états ne permettent pas de restriction sur la durée d'une garantie implicite; ainsi, il se peut que la restriction ci-dessus puisse ne pas vous concerner. Certains états ou provinces ne permettent pas l'exclusion ou la limitation des dommages accidentels ou consécutifs, de sorte que la limitation ci-dessus peut ne pas s'appliquer à vous. Cette garantie vous offre des droits légaux spécifiques, vous pourriez aussi avoir d'autres droits qui varient d'un État à l'autre.

Pour enregistrer votre produit et pour en assurer la pleine garantie, rendez-vous à [http://www.lbwhite.com/customer\\_care\\_center/product-registration/](http://www.lbwhite.com/customer_care_center/product-registration/). Veuillez avoir les numéros de série et de modèle en main des produits que vous enregistrez.

## Service

Communiquez avec votre revendeur L.B. White pour une réparation et des pièces de rechange. Vous pouvez aussi appeler L.B. White Company, LLC au 1 800 345-7200, pour obtenir de l'aide, ou nous envoyer un courriel à [customer-service@lbwhite.com](mailto:customer-service@lbwhite.com).

Assurez-vous d'avoir le numéro de modèle de votre appareil de chauffage, ainsi que le numéro de configuration lors de votre appel.



### **FOURNISSEUR INTERNATIONAL - SOLUTIONS DE CHAUFFAGE INNOVATEUR**

411 Mason Street, Onalaska, WI 54650  
800-345-7200 • 608-783-5691  
608 783-6115 (télécopieur)

**[www.lbwhite.com](http://www.lbwhite.com)**