



# OPERATING INSTRUCTIONS AND OWNER'S MANUAL

Model #

HS80CVX  
HS200CVX

**READ INSTRUCTIONS CAREFULLY:** Read and follow all instructions. Place instructions in a safe place for future reference. Do not allow anyone who has not read these instructions to assemble, light, adjust or operate the heater.



## CONVECTION CONSTRUCTION HEATER

**WARNING:** If the information in this manual is not followed exactly, a fire or explosion may result causing property damage, personal injury or loss of life.

- Do not store or use gasoline or other flammable vapors and liquids in the vicinity of this or any other appliance.
- An LP cylinder not connected for use shall not be stored in the vicinity of this or any other appliance.
- WHAT TO DO IF YOU SMELL GAS
  - Do not try to light appliance.
  - Extinguish any open flame.
  - Shut off gas to appliance.
- Service must be performed by a qualified service agency.

This is an unvented gas-fired portable heater. It uses air (oxygen) from the area in which it is used. Adequate combustion and ventilation air must be provided. Refer to page 3.

## WARNING:

⚠ YOUR SAFETY IS IMPORTANT TO YOU AND TO OTHERS, SO PLEASE READ THESE INSTRUCTIONS BEFORE YOU OPERATE THIS HEATER.

## GENERAL HAZARD WARNING:

- ⚠ FAILURE TO COMPLY WITH THE PRECAUTIONS AND INSTRUCTIONS PROVIDED WITH THIS HEATER, CAN RESULT IN DEATH, SERIOUS BODILY INJURY AND PROPERTY LOSS OR DAMAGE FROM HAZARDS OF FIRE, EXPLOSION, BURN, ASPHYXIATION, CARBON MONOXIDE POISONING, AND/OR ELECTRICAL SHOCK.
- ⚠ ONLY PERSONS WHO CAN UNDERSTAND AND FOLLOW THE INSTRUCTIONS SHOULD USE OR SERVICE THIS HEATER.
- ⚠ IF YOU NEED ASSISTANCE OR HEATER INFORMATION SUCH AS AN INSTRUCTIONS MANUAL, LABELS, ETC. CONTACT THE MANUFACTURER.

## WARNING:

⚠ NOT FOR HOME OR RECREATIONAL VEHICLE USE

## WARNING:

⚠ FIRE, BURN, INHALATION, AND EXPLOSION HAZARD. KEEP SOLID COMBUSTIBLES, SUCH AS BUILDING MATERIALS, PAPER OR CARDBOARD, A SAFE DISTANCE AWAY FROM THE HEATER AS RECOMMENDED BY THE INSTRUCTIONS NEVER USE THE HEATER IN SPACES WHICH DO OR MAY CONTAIN VOLATILE OR AIRBORNE COMBUSTIBLES, OR PRODUCTS SUCH AS GASOLINE, SOLVENTS, PAINT THINNER, DUST PARTICLES OR UNKNOWN CHEMICALS.

## THE STATE OF CALIFORNIA REQUIRES THE FOLLOWING WARNING:

## WARNING:

COMBUSTION BY-PRODUCTS PRODUCED WHEN USING THIS PRODUCT CONTAIN CARBON MONOXIDE, A CHEMICAL KNOWN TO THE STATE OF CALIFORNIA TO CAUSE CANCER AND BIRTH DEFECTS (OR OTHER REPRODUCTIVE HARM). THIS PRODUCT CONTAINS CHEMICALS KNOWN TO THE STATE OF CALIFORNIA TO CAUSE CANCER AND BIRTH DEFECTS OR OTHER REPRODUCTIVE HARM.

## TABLE OF CONTENTS

HEATER SPECIFICATIONS.....	2	OPERATING INSTRUCTIONS.....	6
WARNINGS.....	2	SERVICING.....	6
OPERATING PRECAUTIONS.....	3	SIZE AND CAPACITY OF PROPANE CYLINDERS REQUIRED.....	7
SAFETY PRECAUTIONS.....	3	200CVX - PARTS.....	8
ODOR FADE WARNING.....	4	80CVX- PARTS.....	9
CAUTION: SHELL EXTENSION INSTRUCTIONS.....	5	WARRANTY.....	11
		INSTRUCTIONS FOR ORDERING PARTS.....	11

## SPECIFICATIONS

MODEL	HS80CVX	HS200CVX
MAX SUPPLY PRESSURE:		
To Regulator MIN	5PSI (34.5 kPa)	15PSI (103 kPa)
To Regulator MAX	Bottle Pressure	Bottle Pressure
Regulator Out	11" W.C. (2.74 kPa)	10 PSI (68.9 kPa)
Ignition	Piezo	Piezo
Min Ambient Temp.	0° F (17.8) ° C	0° F (17.8) ° C
BTU Rating Low-High	30,000-80,000 BTU/HR (4.3-7.3 kW)	75,000-200,000 BTU/HR (22-58.6 kW)
Fuel Consumption	1.4-3.7 LBS/HR (.74-1.8kg/HR)	3.5-9.3 LBS/HR (1.44-4.32 kg/HR)
Hose Length	20' (304 cm)	20' (304 cm)

### Figure 1 VENTILATION: Minimum openings required

Opening near floor	2ft <sup>2</sup>	2ft <sup>2</sup>
Opening near ceiling	2ft <sup>2</sup>	2ft <sup>2</sup>

## GENERAL INFORMATION

RETAIN THIS MANUAL FOR FUTURE REFERENCE. FOR QUESTIONS, PROBLEMS, MISSING PARTS BEFORE RETURNING TO RETAILER PLEASE CALL WITH MODEL NUMBER AND SERIAL NUMBER OF HEATER: 866-447-2194

MONDAY-FRIDAY 8-5 PM EASTERN TIME  
OR E-MAIL USING THE HEATSTAR WEBSITE:  
WWW.HEATSTARBYENERCO.COM

**CAUTION! FAILURE TO FOLLOW THESE VENTILATION REQUIREMENTS MAY RESULT IN SOOTING DAMAGE.**

## OPERATING PRECAUTIONS

This is a propane, direct-fired, convection heater. It's intended use is primarily temporary heating of buildings under construction, alteration or repair.

Propane is heavier than air. If propane leaks from a connection or fitting, it sinks to the floor, collecting there with the surrounding air, forming a potentially explosive mixture. Obviously, propane leaks should be avoided, so set up the propane supply with utmost care. Leak check new connections or reconnections with a soap and water solution and follow all connection instructions herein. Also, ask your propane dealer for advice on the propane application and supply installation and ask him to check it if there are any questions.

This heater was designed and certified for use as a construction heater in accordance with ANSI Standard Z83.7/CGA 2.14-2000. Check with your local fire safety authority if you have any questions about your applications. Other standards govern the use of fuel gases and heat producing products in specific applications. Your local authority can advise you about these.

Direct-Fired means that all of the combustion products enter the heated space. Even though this heater operates very close to 100 percent combustion efficiency, it still produces small amounts of carbon monoxide. Carbon monoxide (called CO) is toxic. We can tolerate small amounts but not a lot. CO can build up in a heated space and failure to provide adequate ventilation could result in death. The symptoms of inadequate ventilation are:

- **headache**
- **dizziness**
- **burning eyes and nose**
- **nausea**
- **dry mouth or sore throat**

So, be sure to follow advice about ventilation in these operating instructions.

**When the heater is to be operated in the presence of other people the user is responsible for properly acquainting those present with the safety precautions and instructions, and of the hazards involved.**

## SAFETY PRECAUTIONS

1. Check the heater thoroughly for damage. **DO NOT** operate a damaged heater.
2. **DO NOT** modify the heater or operate a heater which has been modified from its original condition.
3. **DO NOT** light or operate heater unless the shells are fully extended and locked into position.
4. Use only propane gas.
5. Use only VAPOR WITHDRAWAL propane supply. If there is any question about vapor withdrawal, ask your propane dealer.
6. Mount the propane cylinders vertically (shutoff valve up). Secure them from falling or being knocked over and protect them from damage.
7. Locate propane containers the designated distances from heater. Additionally, **Do not** direct exhaust toward containers.

For USA:

- at least 7 ft. (2.13m) for the 80CVX unit
- at least 9 ft. (2.7m) for the 200CVX unit

For Canada:

- at least 10 ft. (3m) for the 80CVX or 200CVX unit.

8. **IMPORTANT** Use only the hose and regulator assembly provided with the heater. Match the color stripe on the hang tag attached to the hose assembly with the color on the label located near the propane inlet fitting on the heater. Inspect hose assembly before each use of the heater. If there is excessive abrasion or wear, or hose is cut, replace with hose assembly listed on parts list before using heater.
9. For indoor use only. Area must be well ventilated. **Figure 1.** (Also see "Operating Precautions").
10. If at any time gas odor is detected, **IMMEDIATELY DISCONTINUE** operation until the source of gas has been located and corrected.
11. Install the heater such that it is not directly exposed to water spray, rain and/or dripping water.
12. Maintain minimum clearance from normal combustible material (like paper). **Figure 2.**
13. Due to the high surface and exhaust temperatures, adults and children must observe clearances to avoid burns or clothing ignition.
14. Operate only on a stable, level surface.
15. Do not use with duct work. Do not restrict inlet or exit.
16. Do not move, handle or service while hot or burning.
17. Use only in accordance with local codes or, in the absence of local codes, with the Standard for the Storage and Handling of Liquefied Petroleum Gases ANSI/NFPA 58 and CSA B149.1, Natural Gas and Propane Installation Code.

**Figure 2**

### **MINIMUM CLEARANCE: From normal combustible material**

#### **80CVX, 200CVX**

<b>Clearance</b>	<b>Convection</b>
From sides .....	4 ft
From top .....	6 ft

Locate 10' from canvas or plastic tarpaulins or similar coverings and secure them to prevent flapping or movement due to wind action.

## ODOR FADE WARNING

### WARNING

#### ⚠️ Asphyxiation Hazard

- Do not use this heater for heating human living quarters.
- Do not use in unventilated areas.
- The flow of combustion and ventilation air must not be obstructed.
- Proper ventilation air must be provided to support the combustion air requirements of the heater being used.
- Refer to the specification section of the heater's manual, heater data plate, or contact the factory to determine combustion air ventilation requirements of the heater.
- Lack of proper ventilation air will lead to improper combustion.
- Improper combustion can lead to carbon monoxide poisoning leading to serious injury or death. Symptom of carbon monoxide poisoning can include headaches dizziness and difficulty in breathing.

## FUEL GAS ODOR

**LP gas and natural gas have man-made odorants added specifically for detection of fuel gas leaks.**

**If a gas leak occurs you should be able to smell the fuel gas. Since Propane (LP) is heavier than air you should smell for the gas odor low to the floor. ANY GAS ODOR IS YOUR SIGNAL TO GO INTO IMMEDIATE ACTION!**

- Do not take any action that could ignite the fuel gas. Do not operate any electrical switches. Do not pull any power supply or extension cords. Do not light matches or any other source of flame. Do not use your telephone.
- Get everyone out of the building and away from the area immediately.
- Close all propane (LP) gas tank or cylinder fuel supply valves, or the main fuel supply valve located at the meter if you use natural gas.
- Propane (LP) gas is heavier than air and may settle in low areas. When you have reason to suspect a propane leak, keep out of all low areas.
- Use your neighbor's phone and call your fuel gas supplier and your fire department. Do not re-enter the building or area.
- Stay out of the building and away from the area until declared safe by the firefighters and your fuel gas supplier.
- FINALLY, let the fuel gas service person and the firefighters check for escaped gas. Have them air out the building and area before you return. Properly trained

service people must repair any leaks, check for further leakages, and then relight the appliance for you.

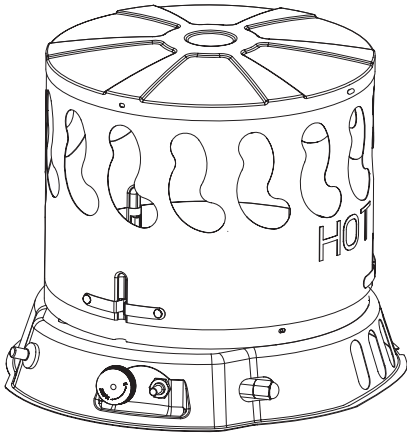
## ODOR FADING - NO ODOR DETECTED

- Some people cannot smell well. Some people cannot smell the odor of the man-made chemical added to propane (LP) or natural gas. You must determine if you can smell the odorant in these fuel gases.
- Learn to recognize the odor of propane (LP) gas and natural gas. Local propane (LP) gas dealers will be more than happy to give you a scratch and sniff pamphlet. Use it to become familiar with the fuel gas odor.
- Smoking can decrease your ability to smell. Being around an odor for a period of time can affect your sensitivity to that particular odor. Odors present in animal confinement buildings can mask fuel gas odor.
- **The odorant in propane (LP) gas and natural gas is colorless and the intensity of its odor can fade under some circumstances.**
- If there is an underground leak, the movement of gas through the soil can filter the odorant.
- Propane (LP) gas odor may differ in intensity at different levels. Since Propane (LP) gas is heavier than air, there may be more odor at lower levels.
- **Always be sensitive to the slightest gas odor.** If you continue to detect any gas odor, no matter how small, treat it as a serious leak. Immediately go into action as discussed previously.

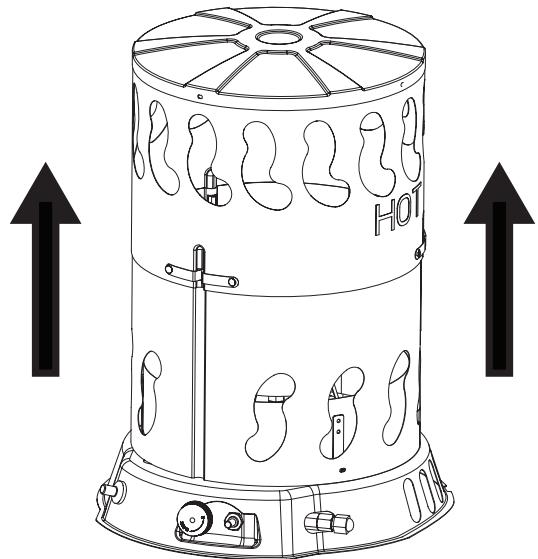
## ATTENTION - CRITICAL POINTS TO REMEMBER!

- Propane (LP) gas has a distinctive odor. Learn to recognize these odors. (Reference Fuel Gas Odor and Odor Fading sections above.)
- Even If you are not properly trained in the service and repair of the heater, ALWAYS be consciously aware of the odors of propane (LP) gas and natural gas.
- If you have not been properly trained in repair and service of propane (LP) gas then do not attempt to light heater, perform service or repairs, or make any adjustments to the heater on the propane (LP) gas fuel system.
- A periodic sniff test around the heater or at the heater's joints; i.e. hose, connections, etc., is a good safety practice under any conditions. If you smell even a small amount of gas, CONTACT YOUR FUEL GAS SUPPLIER IMMEDIATELY. DO NOT WAIT!

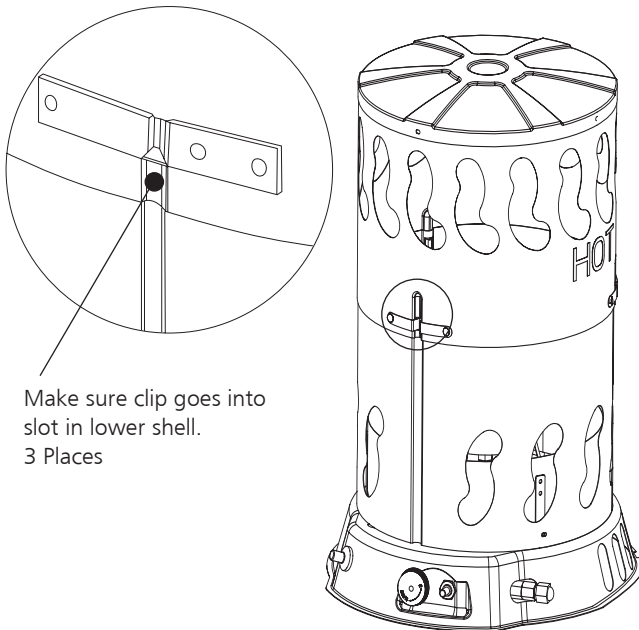
**CAUTION: NEVER IGNITE AND / OR RUN THIS HEATER UNLESS THE SHELLS ARE FULLY EXTENDED AND LOCKED INTO POSITION.**



STEP 1: HEATER AS RECEIVED OUT OF BOX. BEFORE LIFTING OUTER SHELL PROTECT HANDS. NEVER GRASP BARE METAL WITHOUT HAND PROTECTION.

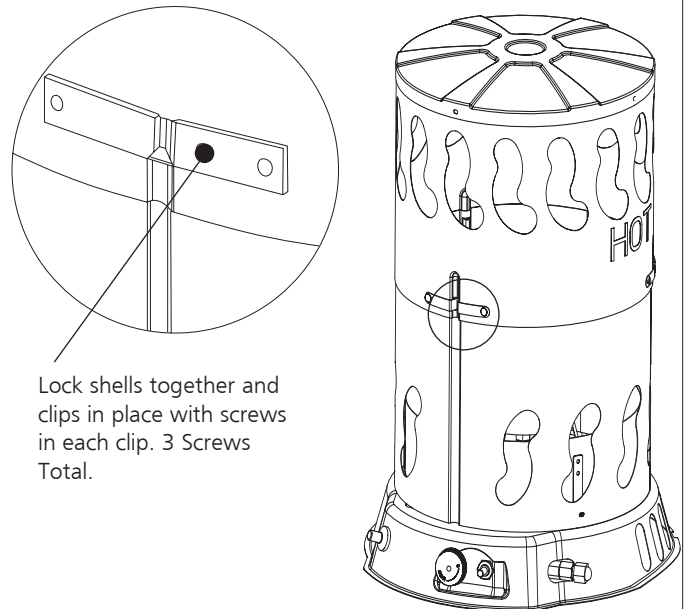


STEP 2: LIFT OUTER SHELL STRAIGHT UP. CARE MUST BE TAKEN TO PROTECT HANDS DURING LIFT.



Make sure clip goes into slot in lower shell.  
3 Places

STEP 3: LIFT OUTER SHELL UNTIL ALL THREE CLIPS ENGAGE SLOTS IN LOWER SHELL. WHEN THIS HAPPENS, THE SCREW HOLES WILL LINE UP.



Lock shells together and clips in place with screws in each clip. 3 Screws Total.

STEP 4: LOCK THE CLIP INTO PLACE WITH 3 SCREWS AS SHOWN. THE HEATER MUST NOT BE OPERATED UNLESS THE OUTER SHELL IS PROPERLY EXTENDED AND FULLY LOCKED INTO PLACE.

**CAUTION: NEVER IGNITE AND / OR RUN THIS HEATER UNLESS THE SHELLS ARE FULLY EXTENDED AND LOCKED INTO POSITION.**

# OPERATING INSTRUCTIONS

## PREPARING FOR OPERATION

1. Extend the shell fully and lock into place as shown in the enclosed instructions sheet before lighting or operating the heater.
2. Check the heater for possible shipping damage. If any is found, immediately notify the factory.
3. Follow all of the Safety and Operating Precautions.
4. Connect the POL fitting of hose and regulator assembly to the propane cylinder by rotating the POL nut counterclockwise into the propane cylinder's valve outlet and securely tighten with a wrench.
5. Connect the hose to the heater.
6. Securely tighten all gas connections.
7. Open the cylinder's gas valve and check all gas connections with a soap and water solution. DO NOT USE A FLAME.

## STARTING (200CVX)

1. **WARNING: BEFORE LIGHTING PILOT**, turn main burner valve (turn knob fully clockwise) to low/light position.
2. Fully open the valve on the propane cylinder and wait 15 seconds before Step 3.
3. Depress red button on safety pilot valve (to the right of the variable valve knob) admitting gas to the pilot. Then push and release the ignition button (red button to the right of the variable valve knob) until the pilot lights.
4. When the pilot lights, continue to hold the button depressed for 30 seconds, then release to light main burner.
5. If pilot goes out, wait 5 minutes and repeat the lighting procedure.
6. Turn main burner valve to regulate heat output.

## STARTING (80CVX)

1. **WARNING: BEFORE LIGHTING PILOT**, turn main burner valve (turn knob fully clockwise) to low/light position.
2. Fully open the valve on the propane cylinder and wait 15 seconds before Step 3.
3. Push knob in and hold for 5 seconds, allowing gas to emit from burner orifice.
4. Rotate the knob counterclockwise until the piezo igniter clicks. Continue to rotate and activate the igniter until the burner lights.
5. Once the burner lights hold the knob in, on the low position for 30 seconds. Then release. The burner should stay lit. If it does not repeat steps 4&5 until the burner stays lit.
6. Turn main burner valve to regulate heat output.

## STOP (All UNITS)

1. Securely close valve on the propane cylinder.
2. Continue to operate heater until all fuel in the hose has burned.
3. Turn main burner valve to lo/light position.

## RESTART AFTER SAFETY SHUTDOWN

1. Securely close valve at propane cylinder.
2. Wait 5 minutes.
3. Restart following "Start" procedure for your model.

## MAINTENANCE AND STORAGE

1. The heater should be inspected before each use, and at least annually by a qualified person.
2. Before each use, check the soft "O" ring seat at the bullnose of the POL fitting. If the "O" ring is cut, scuffed, or otherwise damaged, replace it with part number F273786.
3. Turn off the gas at the LP-gas supply cylinder(s) when the heater is not in use.
4. When the heater is to be stored indoors, the connection between the LP-gas supply cylinder(s) and the heater must be disconnected and the cylinder(s) removed from the heater and stored out of doors and in accordance with Chapter 5 of the standard for Storage and Handling of Liquefied Petroleum Gases ANSI/NFPA 58 and CSA B149.1, Natural Gas and Propane Installation Code.

## SERVICING

A hazardous condition may result if a heater is used that has been modified or is not functioning properly. When the heater is working properly:

- \* The flame is contained within the heater.
- \* The flame is essentially yellow with some blue at the base of the fame adjacent to the burner.
- \* There is no strong disagreeable odor, eye burning or other physical discomfort.
- \* There is no smoke or soot internal or external to the heater.
- \* There are no unplanned or unexplained shut downs of the heater.

The parts lists and exploded view show the heater as it was constructed. Do not use a heater which is different from that shown. In this regard, use only the hose, regulator and cylinder connection fitting (called a POL fitting) supplied with the heater. **IMPORTANT** Match the color stripe on the hang tag attached to the hose assembly with the color on the label located near the propane inlet fitting on the heater. Do not use alternates. For this heater, the regulator must be set as shown in "specifications". If there is any uncertainty about the regulator setting, have it checked.

A heater which is not working right must be repaired, but only by a trained, experienced service person.

In-warranty products will be repaired with no charge for either parts or labor. Please include a brief statement indicating date, place of purchase, the nature of the problem and proof of purchase.

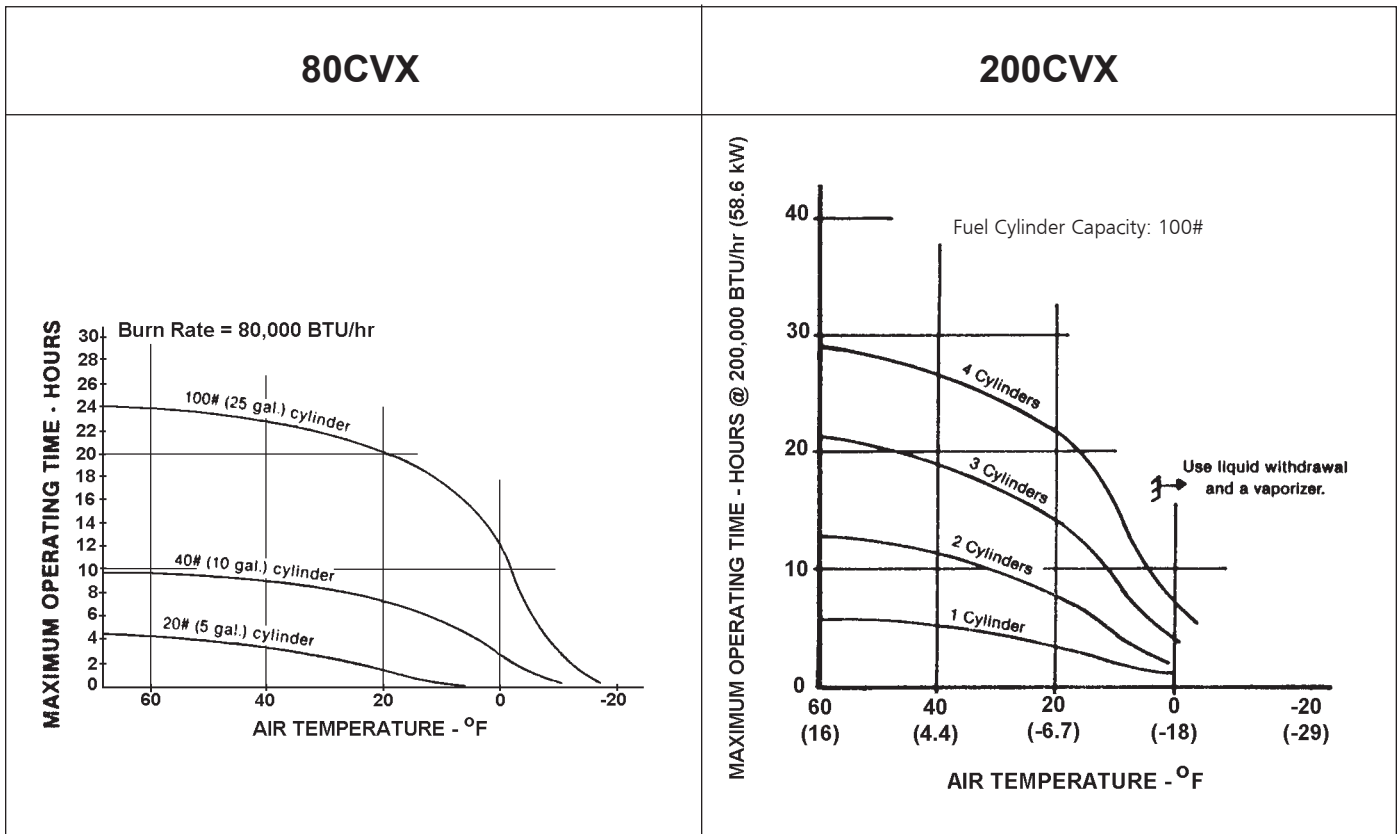
Out-of-warranty products will be repaired with a charge for parts and labor.

# SIZE AND CAPACITY OF PROPANE CYLINDERS REQUIRED

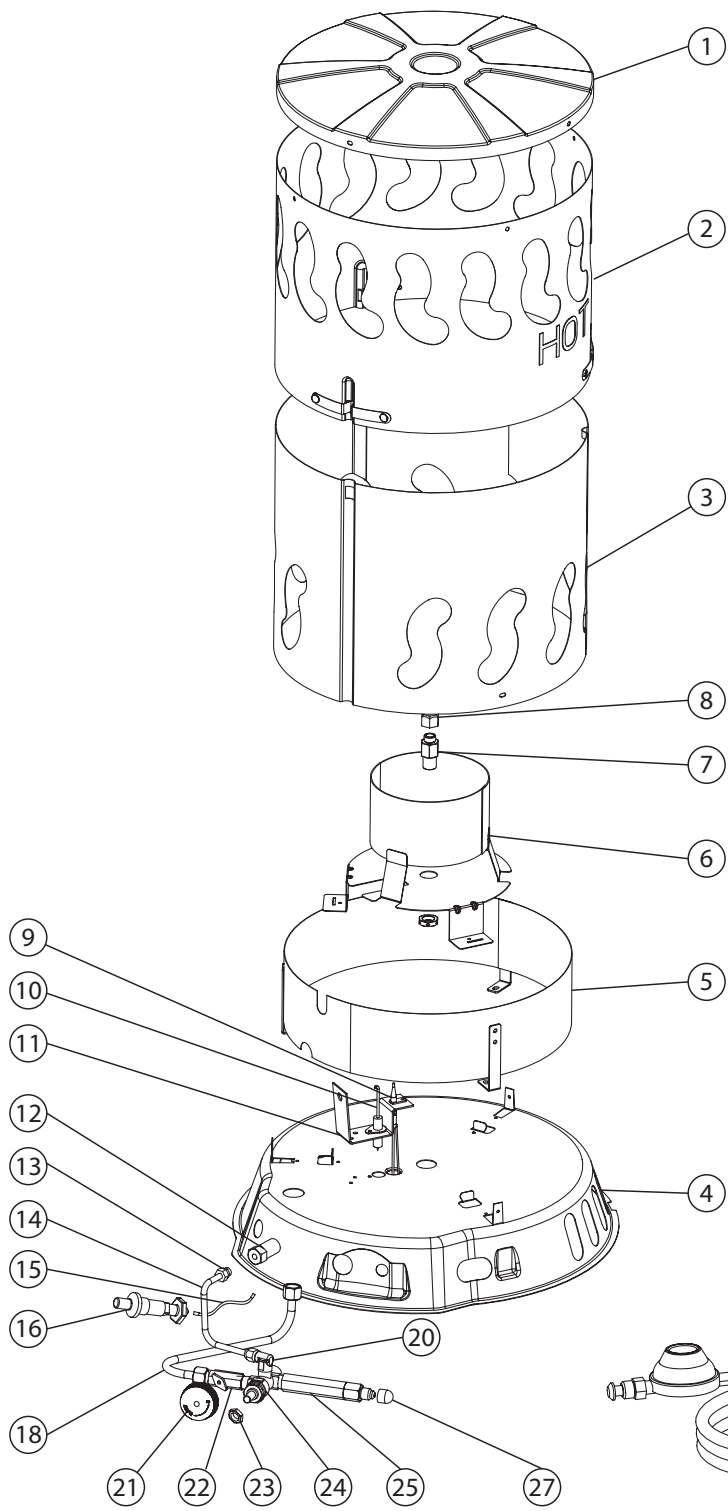
The charts below show the approximate size of the cylinder required for these heaters. To use the chart:

1. Select the lowest air temperature expected (at the bottom of the chart).
2. Move straight up to time of operation desired (left side of chart).
3. Read the cylinder size required.

All heaters should have:     full cylinders  
   good air circulation  
   no frost on cylinders



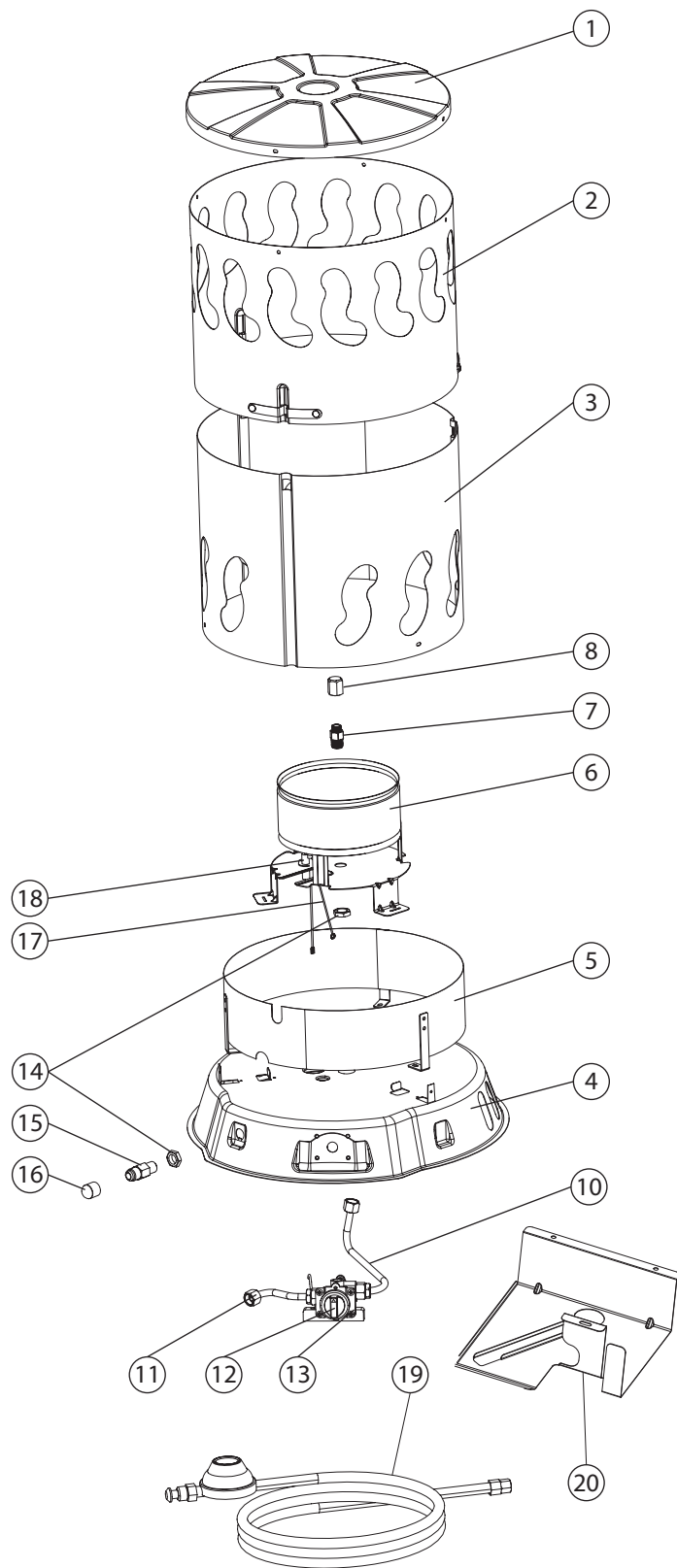
## Exploded view and parts list HS200CVX



REF #	ITEM #	Desc.	QTY
1	28590	Combustion Chamber top 200CV	1
2	28612	Combustion Chamber Upper 200CV	1
3	28613	Combustion Chamber Lower 200CV	1
4	28614	Heater Base	1
5	28597	Combustion Chamber Ring	1
6	28615	Burner Cone	1
7	28584	Burner Orifice Holder	1
8	28616	Burner Orifice	1
9	28617	Thermocouple	1
10	28618	Igniter Electrode	1
11	28619	Igniter Electrode Bracket	1
12	28620	Pilot Burner Head	1
13	28621	Pilot Burner Orifice	1
14	28622	Pilot Gas Supply line	1
15	28623	Igniter Lead	1
16	20735	Piezo Igniter With Nut	1
18	28624	Burner Supply Tube	1
20	28626	Pilot Supply connector 90 Degree	1
21	28625	Rate Adjustment Knob	1
22	28627	Variable Valve Body	1
23	28582	Thermoelectric Valve Retainer Nut	1
24	28628	Thermoelectric Valve	1
25	28629	Valve Inlet Nipple	1
27	N/A	Rubber Cap	1
28	28630	Hose and regulator assembly 10'	1
29	N/A	Bottom protection plate	1



### Exploded view and parts list HS80CVX



REF #	ITEM #	Desc.	QTY
1	28590	Combustion Chamber top 80CVX	1
2	28589	Combustion Chamber Upper 80CVX	1
3	28588	Combustion Chamber Lower 80CVX	1
4	28593	Heater Base	1
5	28597	Combustion Chamber Ring	1
6	28585	Burner Cone	1
7	28584	Burner Orifice Holder	1
8	28583	Burner Orifice	1
10	28595	Burner Supply Tube	1
11	28594	Fuel Inlet Supply tube	1
12	28591	Variable Rate Valve Knob	1
13	28587	Valve Control Assembly	1
14	28582	Retainer Nut	2
15	28596	Inlet Flare fitting	1
16	N/A	Rubber Cap	1
17	28592	Thermocouple	1
18	28586	Igniter Electrode	1
19	28598	Hose and regulator assembly 10'	1
20	N/A	Bottom protection plate	1



# OPERATING INSTRUCTIONS AND OWNER'S MANUAL

Model #

HS80CVX  
HS200CVX

**READ INSTRUCTIONS CAREFULLY:** Read and follow all instructions. Place instructions in a safe place for future reference. Do not allow anyone who has not read these instructions to assemble, light, adjust or operate the heater.



## WARNING:

USE ONLY MANUFACTURER'S REPLACEMENT PARTS. USE OF ANY OTHER PARTS COULD CAUSE INJURY OR DEATH. REPLACEMENT PARTS ARE ONLY AVAILABLE DIRECT FROM THE FACTORY AND MUST BE INSTALLED BY A QUALIFIED SERVICE AGENCY.

## PARTS ORDERING INFORMATION:

**PURCHASING:** Accessories may be purchased at any HEATSTAR local dealer or direct from the factory

### FOR INFORMATION REGARDING SERVICE

Please call Toll-Free 866-447-2194 • WWW.HEATSTARBYENERCO.COM

Our office hours are 8:00 AM – 5:00 PM, EST, Monday through Friday.

Please include the model number, date of purchase, and description of problem in all communication.

## LIMITED WARRANTY

The company warrants this product to be free from imperfections in material or workmanship, under normal and proper use in accordance with instructions of The Company, for a period of one year from the date of delivery to the buyer. The Company, at its option, will repair or replace products returned by the buyer to the factory, transportation prepaid within said one year period and found by the Company to have imperfections in material or workmanship.

If a part is damaged or missing, call our Technical Support Department at 866-447-2194.

Address any Warranty Claims to the Service Department, HEATSTAR, Inc., 4560 W. 160TH ST., CLEVELAND, OHIO 44135. Include your name, address and telephone number and include details concerning the claim. Also, supply us with the purchase date and the name and address of the dealer from whom you purchased our product.

The foregoing is the full extent of the responsibility of the Company. There are no other warranties, express or implied. Specifically there is no warranty of fitness for a particular purpose and there is no warranty of merchantability. In no event shall the Company be liable for delay caused by imperfections, for consequential damages, or for any charges of the expense of any nature incurred without its written consent. The cost of repair or replacement shall be the exclusive remedy for any breach of warranty. There is no warranty against infringement of the like and no implied warranty arising from course of dealing or usage of trade. This warranty will not apply to any product which has been repaired or altered outside of the factory in any respect which in our judgment affects its condition or operation.

Some states do not allow the exclusion or limitation of incidental or consequential damages, so the above limitation or exclusion may not apply to you. This Warranty gives you specific legal rights, and you may have other rights which vary from state to state.

HEATSTAR, Inc., reserves the right to make changes at any time, without notice or obligation, in colors, specifications, accessories, materials and models.

**PRODUCT REGISTRATION:** Thank you for your purchase.

Please log in to <http://www.egiregistration.com> to register your product.



HEATSTAR, INC., 4560 W. 160TH ST., CLEVELAND, OHIO 44135 • 866-447-2194

HEATSTAR is a registered trademark of HEATSTAR, Inc.

© v, HEATSTAR. All rights reserved



# GUIDE D'UTILISATION ET MANUEL DU PROPRIÉTAIRE

Modèle #

HS80CVX  
HS200CVX

**VEUILLEZ LIRE ATTENTIVEMENT LES INSTRUCTIONS :** Veuillez lire et suivre toutes les directives. Conservez ces instructions dans un endroit sécuritaire pour vous y référer ultérieurement. Ne permettez pas à quiconque n'ayant pas lu les présentes instructions d'assembler, d'allumer, de régler ou de faire fonctionner cet outil.



## APPAREIL DE CHAUFFAGE À CONVECTION POUR CHANTIER DE CONSTRUCTION

**AVERTISSEMENT :** Le non-respect des instructions, telles qu'indiquées dans le présent guide, risque d'entraîner une explosion ou un incendie entraînant des dommages matériels ou des blessures graves, voire mortelles.

- N'entreposez ni n'utilisez d'essence ou autres liquides ou vapeurs inflammables à proximité de ce type d'appareil.
- Aucune bonbonne de propane liquéfié non raccordée pour utilisation ne doit se trouver à proximité de cet appareil, ni d'aucun autre appareil.
- EN PRÉSENCE D'UNE ODEUR DE GAZ
  - Ne tentez pas d'allumer l'appareil de chauffage.
  - Éteignez toute flamme nue.
  - Fermez l'alimentation en gaz à l'appareil.
- L'entretien doit être effectué par un fournisseur de services d'entretien qualifié.

Cet appareil de chauffage portable alimenté au gaz n'est pas ventilé. Il utilise l'oxygène de l'air ambiant. Une circulation d'air adéquate doit être assurée pour la combustion et la ventilation. Voir page 3.

## AVERTISSEMENT :

⚠ VOTRE SÉCURITÉ PERSONNELLE ÉTANT IMPORTANTE POUR TOUS, VEUILLEZ LIRE LES INSTRUCTIONS AVANT D'UTILISER CET APPAREIL DE CHAUFFAGE.

## AVERTISSEMENT GÉNÉRAL DE DANGER :

⚠ LE NON-RESPECT DES MESURES DE PRÉVENTION ET INSTRUCTIONS FOURNIES AVEC CET APPAREIL DE CHAUFFAGE RISQUE DE CAUSER LA MORT, DES BLESSURES GRAVES ET DES DOMMAGES OU DES PERTES MATÉRIELLES RÉSULTANT D'INCENDIE, D'EXPLOSION, DE BRÛLURE, D'ASPHYXIE, D'INTOXICATION AU MONOXYDE DE CARBONE OU D'ÉLECTROCUTION.

⚠ SEULES LES PERSONNES APTES À COMPRENDRE ET À RESPECTER LES INSTRUCTIONS DEVRAIENT UTILISER OU EFFECTUER L'ENTRETIEN DE CET APPAREIL DE CHAUFFAGE.

⚠ SI VOUS AVEZ BESOIN D'AIDE OU D'INFORMATION AU SUJET DE L'APPAREIL DE CHAUFFAGE (MANUEL D'INSTRUCTIONS, ÉTIQUETTES, ETC.), VEUILLEZ COMMUNIQUER AVEC LE FABRICANT.

## AVERTISSEMENT :

⚠ NON CONÇU POUR UNE UTILISATION DANS LA MAISON OU UN VÉHICULE RÉCRÉATIF.

## AVERTISSEMENT :

⚠ DANGER D'INCENDIE, D'EXPLOSION ET D'INHALATION CONSERVEZ LES MATÉRIAUX COMBUSTIBLES TELS QUE LES MATÉRIAUX DE CONSTRUCTION, LE PAPIER ET LE CARTON À UNE DISTANCE SÉCURITAIRE DE L'APPAREIL DE CHAUFFAGE COMME LE RECOMMANDENT LES INSTRUCTIONS. N'UTILISEZ JAMAIS L'APPAREIL DE CHAUFFAGE DANS UN LOCAL QUI CONTIENT OU RISQUE DE CONTENIR DES PARTICULES COMBUSTIBLES EN SUSPENSION DANS L'AIR OU DES PRODUITS TELS QUE DE L'ESSENCE, DES SOLVANTS, DU DILUANT À PEINTURE, DES PARTICULES DE POUSSIÈRE OU DES PRODUITS CHIMIQUES INCONNUS.

## L'ÉTAT DE LA CALIFORNIE IMPOSE L'AVERTISSEMENT SUIVANT :

## AVERTISSEMENT :

⚠ L'UTILISATION DE CET APPAREIL CRÉE DES SOUS-PRODUITS DE COMBUSTION CONTENANT DU MONOXYDE DE CARBONE, UN PRODUIT CHIMIQUE RECONNU PAR L'ÉTAT DE LA CALIFORNIE COMME CAUSE DE CANCER ET D'ANOMALIES CONGÉNITALES (OU AUTRES RISQUES POUR LA REPRODUCTION).

CET APPAREIL CONTIENT DES PRODUITS CHIMIQUES RECONNUS PAR L'ÉTAT DE CALIFORNIE COMME POUVANT CAUSER LE CANCER ET DES MALFORMATIONS CONGÉNITALES OU AUTRES DOMMAGES AU SYSTÈME REPRODUCTEUR.

## TABLE DES MATIÈRES

SPÉCIFICATIONS .....	2
AVERTISSEMENTS .....	2
PRÉCAUTIONS LIÉES AU FONCTIONNEMENT .....	3
PRÉCAUTIONS LIÉES À LA SÉCURITÉ .....	3
AVERTISSEMENT LIÉ AUX SUBSTANCES ODORANTES .....	4
ATTENTION : INSTRUCTIONS D'OUVERTURE DE LA COQUE .....	5
INSTRUCTIONS DE FONCTIONNEMENT .....	6

VÉRIFICATION.....	6
DIMENSIONS ET CONTENANCES .....	7
200CVX- PIÈCES .....	8
80CVX - PIÈCES .....	9
GARANTIE .....	11
INSTRUCTIONS POUR LA COMMANDE DE PIÈCES .....	11

## SPECIFICATIONS

MODÈLE	HS80CVX	HS200CVX
<b>MAX PRESSION D'ALIMENTATION :</b>		
<b>POUR RÉGULATEUR: MIN</b>	<b>5PSI (34.5 kPa)</b>	<b>15PSI (103 kPa)</b>
<b>POUR RÉGULATEUR: MAX</b>	<b>Bottle Pressure</b>	<b>Bottle Pressure</b>
<b>LA SORTIE DU RÉGULATEUR</b>	<b>11" W.C. (2.74 kPa)</b>	<b>10 PSI (68.9 kPa)</b>
<b>Allumage</b>	<b>Piezo</b>	<b>Piezo</b>
<b>Température Ambiante Minimum.</b>	<b>0° F (17.8) ° C</b>	<b>0° F (17.8) ° C</b>
<b>BTU Taux Faible-Élevé</b>	<b>30,000-80,000 BTU/HR (4.3-7.3 kW)</b>	<b>75,000-200,000 BTU/HR (22-58.6 kW)</b>
<b>La Consommation De Carburant</b>	<b>1.4-3.7 LBS/HR (.74-1.8kg/HR)</b>	<b>3.5-9.3 LBS/HR (1.44-4.32 kg/HR)</b>
<b>Longueur Du Tuyau</b>	<b>20' (609 cm)</b>	<b>20' (609 cm)</b>
<b>Figure 1 VENTILATION : Ouvertures minimales requises</b>		
<b>Ouverture près du plafond</b>	<b>2pi<sup>2</sup></b>	<b>2pi<sup>2</sup></b>
<b>Ouverture près du plancher</b>	<b>2pi<sup>2</sup></b>	<b>2pi<sup>2</sup></b>

## INFORMATIONS GÉNÉRALES

MAINTENEZ CE MANUEL POUR LA FUTURE RÉFÉRENCE. POUR DES QUESTIONS, PROBLÈMES, PIÈCES ABSENTES AVANT RENVOI AU DÉTAILLANT APPELÉZ SVP AVEC LE MODÈLE NOMBRE ET NUMÉRO DE SÉRIE DE RÉCHAUFFEUR : 866-447-2194 LUNDI LE VENDREDI 8 - 5 P.M. TEMPS ORIENTAL OU E-MAIL EN UTILISANT M. SITE WEB DE RÉCHAUFFEUR : WWW.HEATSTARBYENERCO.COM

**ATTENTION ! LE NON RESPECT DE CES EXIGENCES DE VENTILATION PEUT PROVOQUER DES DOMMAGES À CAUSE DE LA SUIE.**

## PRÉCAUTIONS LIÉES AU FONCTIONNEMENT

Cet appareil de chauffage à convection et à feu direct fonctionne au gaz propane. Il est destiné principalement à chauffer temporairement des édifices en construction, en rénovation ou en réparation.

Le gaz propane est plus lourd que l'air. Si du gaz propane fuit d'une connexion ou d'un raccord, il se dirige vers le plancher, se mélange avec l'air ambiant et forme un mélange potentiellement explosif. Évidemment, les fuites de gaz propane devraient être évitées; il est donc important de raccorder l'alimentation en propane avec le plus grand soin. Veuillez lire le feuillet « Substance odorante et gaz propane » ci-joint pour obtenir plus de précisions relatives à la détection des fuites de gaz propane. Vérifiez la présence de fuite aux nouvelles connexions et raccords en utilisant un mélange d'eau et de savon et suivez les instructions mentionnées. Obtenez également les conseils de votre détaillant quant à votre installation au propane et posez-lui toute question que vous auriez à cet égard.

Cet appareil a été conçu et homologué pour être utilisé comme appareil de chauffage pour chantier de construction, conformément à la norme Z83.7/CGA 2,14-2000 de l'ANSI. Soumettez à l'organisme local responsable de la sécurité et des incendies toute question relative à votre type d'installation. Selon le type d'application, d'autres normes peuvent s'appliquer et régir l'utilisation des produits de combustion, de gaz combustible et des appareils de chauffage. L'organisme local qui en est responsable saura vous conseiller à cet égard.

Le fonctionnement à feu direct de cet appareil signifie que tous les produits de combustion se retrouvent dans l'air ambiant. Même si l'efficacité de combustion de l'appareil de chauffage est presque complète, il produit quand même de petites quantités de monoxyde de carbone. Le monoxyde de carbone (appelé CO) est toxique. Notre organisme ne peut en supporter que de faibles quantités. Il est possible que le CO s'accumule dans le local à chauffer. Une ventilation inadéquate pourrait ainsi causer la mort. Les symptômes ressentis en cas de ventilation inadéquate sont les suivants :

- mal de tête
- étourdissement
- sensation de brûlure au nez et aux yeux
- nausée
- mal de gorge ou bouche sèche

Assurez-vous donc de respecter les conseils au sujet de la ventilation mentionnés dans ces instructions.

**Lorsque l'appareil de chauffage doit fonctionner en présence d'autres personnes, l'utilisateur est responsable d'informer ces dernières des instructions et précautions liées à la sécurité et de les avertir des dangers inhérents.**

## PRÉCAUTIONS LIÉES À LA SÉCURITÉ

1. Vérifiez attentivement si l'appareil de chauffage a subi des dommages. NE FAITES PAS fonctionner un appareil endommagé.
2. **NE MODIFIEZ PAS** l'appareil de chauffage et ne le faites pas fonctionner s'il n'est plus dans son état d'origine.
3. **N'ALLUMEZ PAS** l'appareil et ne le faites pas fonctionner à moins que la coque soit complètement ouverte et verrouillée en position. Consultez la feuille d'assemblage pour obtenir les instructions.
4. Utilisez uniquement du gaz propane.
5. Utilisez uniquement une alimentation au propane à **ÉLIMINATION DES ÉMANATIONS**. Si vous avez des questions à propos de l'élimination des émanations, consultez votre détaillant de gaz propane.

6. Installez les bonbonnes de propane verticalement (robinet de fermeture vers le haut). Fixez-les comme il convient de sorte qu'ils ne puissent se décrocher accidentellement et protégez-les contre les dommages.
7. Placez les réservoirs de gaz propane à une distance minimale de l'appareil de chauffage et n'orientez pas l'échappement directement vers les réservoirs.  
aux États-Unis  
distance minimale de 2,13 m (7 pi) pour le modèle 80CVX  
distance minimale de 2,7 m (9 pi) pour le modèle 200CVX,  
au Canada  
distance minimale de 3 m (10 pi) pour le modèle 200CVX  
ET modèle 80CVX
8. **IMPORTANT** Utilisez uniquement le tuyau et le régulateur fourni avec l'appareil. Faites correspondre la bande de couleur de l'étiquette fixée au tuyau à la couleur de l'étiquette située près du raccord d'entrée de gaz propane sur l'appareil. Inspectez le tuyau avant chaque utilisation de l'appareil de chauffage. En cas d'abrasion, d'usure excessive ou de coupure, remplacez le tuyau par l'ensemble de tuyaux recommandé avant d'utiliser l'appareil de chauffage.
9. Pour utilisation intérieure seulement. La ventilation doit être adéquate. **Figure 1.** (voir également « Précautions liées au fonctionnement »).
10. Si une odeur de gaz est détectée, **ARRÊTEZ IMMÉDIATEMENT** l'appareil de chauffage jusqu'à ce que la source d'émission du gaz ait été localisée et colmatée. Veuillez lire le feuillet « Substance odorante et gaz propane » ci-joint pour obtenir plus de précisions relatives à la détection des fuites de gaz propane.
11. Installez l'appareil de chauffage de façon à ce qu'il ne soit pas exposé à l'eau.
12. Conservez un écart minimal entre l'appareil et tout matériel combustible (tel que du papier). **Figure 2.**
13. En raison des températures élevées de la surface et de l'échappement, les adultes et les enfants doivent respecter les distances de sécurité pour éviter des brûlures et l'inflammation des vêtements.
14. Utilisez uniquement sur des surfaces stables et de niveau.
15. N'utilisez pas l'appareil avec des conduits d'air. N'obstruez pas l'entrée et la sortie d'air.
16. Ne déplacez pas l'appareil, ne le touchez pas et n'essayez pas d'en faire l'entretien alors qu'il est chaud.
17. Utilisez l'appareil en observant les codes de sécurité en vigueur localement ou référez-vous aux normes relatives à l'entreposage et à la manutention des produits de pétrole liquéfiés ANSI/NFPA 58 et CSA B149.1 du Code d'installation du gaz naturel et du gaz propane.

**Figure 2**

**ÉCART MINIMUM : entre l'appareil et tout matériel combustible.**

Écart	80CVX, 200CVX Convection
Des côtés.....	1,22 m (4 pi)
Du dessus.....	1,82 m (6 pi)

Placez l'appareil à 3 m (10 pi) des bâches et des revêtements similaires, et fixez-les afin d'empêcher tout battement ou mouvement causé par le vent.

## AVERTISSEMENT LIÉ AUX SUBSTANCES ODORANTES

### AVERTISSEMENT

#### Risque d'asphyxie

- Cet appareil ne doit pas être utilisé pour le chauffage de locaux où demeurent des gens.
- Ne l'utilisez pas dans des endroits non aérés.
- Le débit de chaleur et d'air de ventilation ne doit pas être obstrué.
- Le processus de combustion de cet appareil exige un apport adéquat en air de ventilation.
- Consultez la rubrique portant sur les spécifications techniques dans le manuel de l'appareil ou sur la plaque de données de l'appareil, ou communiquez avec le fabricant pour obtenir les renseignements relatifs aux exigences en apport d'air de ventilation pour la combustion.
- Le processus de combustion ne peut s'effectuer correctement si l'apport en air de ventilation est insuffisant.
- Une combustion inadéquate produit des émanations nocives de monoxyde de carbone pouvant entraîner des troubles de santé graves, voire mortels. Les symptômes d'empoisonnement au monoxyde de carbone sont les maux de tête, les étourdissements et la difficulté respiratoire.

## ODEUR DU GAZ COMBUSTIBLE

**Des additifs odorants ont été ajoutés au gaz propane liquéfié et au gaz naturel dans le but de faciliter la détection de fuites. Vous devriez remarquer une odeur de gaz combustible s'il y a une fuite. Comme le gaz propane (liquéfié) est plus lourd que l'air, l'odeur de gaz se détecte plus facilement près du sol. TOUTE ODEUR DE GAZ EST UN SIGNAL QU'IL FAUT INTERVENIR IMMÉDIATEMENT !**

- Ne prenez aucune mesure qui provoquerait l'allumage des vapeurs de gaz. N'utilisez aucun interrupteur électrique. Ne tirez sur aucune source d'alimentation électrique ou rallonge électrique. N'allumez pas d'allumettes ni aucune source de flamme. N'utilisez pas votre téléphone.
- Faites évacuer immédiatement toute personne se trouvant dans l'immeuble.
- Fermez tous les robinets d'alimentation du réservoir de gaz propane (liquéfié) ou de la bonbonne, ainsi que le robinet d'alimentation principale situé sur le compteur, si vous utilisez du gaz naturel.
- Le gaz propane (liquéfié) est plus lourd que l'air et peut s'accumuler dans les endroits près du sol. Si vous croyez qu'il y a une fuite de gaz propane, éloignez-vous des endroits plus bas.
- Utilisez le téléphone d'un voisin et communiquez avec votre fournisseur en gaz combustible et votre service d'incendies. Ne retournez pas dans l'immeuble ou dans le secteur.
- N'entrez pas dans l'immeuble et restez-en à l'écart jusqu'à ce que le personnel du service des incendies ou le fournisseur en gaz combustible ait confirmé que l'endroit ne comporte aucun risque.
- EN DERNIER LIEU, laissez le personnel du service des incendies ou d'approvisionnement en gaz combustible vérifier si du gaz s'échappe. Assurez-vous qu'ils aient aéré l'immeuble avant d'y retourner. Le personnel d'entretien expérimenté doit colmater toute fuite, vérifier la présence d'autres fuites, puis se charger d'allumer l'appareil pour vous.

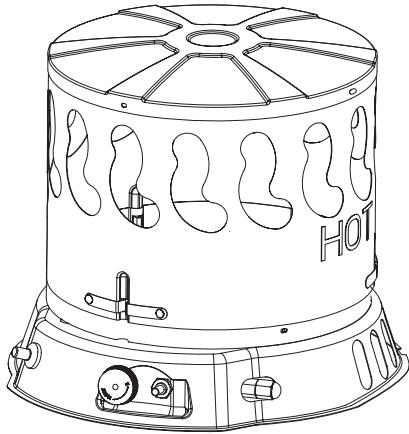
## SUBSTANCE ODORANTE - AUCUNE ODEUR DÉCELÉE

- Certaines personnes ne détectent pas bien les odeurs. Il est donc possible que certaines personnes ne puissent sentir la substance odorante ajoutée au gaz propane (liquéfié) ou au gaz naturel. Vous devez savoir si vous arrivez à déceler l'odeur de cette substance dans le gaz combustible.
- Apprenez à reconnaître l'odeur du gaz propane et celle du gaz naturel. Pour ce faire, les détaillants de gaz propane (liquéfié) locaux seront heureux de vous fournir un feuillet comprenant une pastille à humer. Servez-vous de cette pastille pour vous aider à reconnaître l'odeur de gaz combustible.
- Le tabagisme peut nuire à votre faculté olfactive. Votre facilité à déceler une odeur quelconque peut s'estomper si vous demeurez un certain temps dans un endroit où cette odeur est présente. La présence d'animaux dans des endroits clos peut aussi masquer l'odeur du gaz combustible.
- **La substance odorante contenue dans le gaz propane (liquéfié) et le gaz naturel est incolore et, selon certaines circonstances, son odeur pourrait s'estomper.**
- En cas de fuite souterraine, le déplacement du gaz dans le sol peut filtrer l'odeur.
- L'intensité de l'odeur du gaz propane (liquéfié) peut varier à différents niveaux. Étant donné que le gaz propane (liquéfié) est plus lourd que l'air, l'odeur peut être plus prononcée à des niveaux inférieurs.
- **Portez toujours attention à la moindre odeur de gaz.** Si une odeur de gaz persiste, même si elle est minime, agissez comme s'il s'agissait d'une fuite importante. Intervenez immédiatement tel que décrit précédemment.

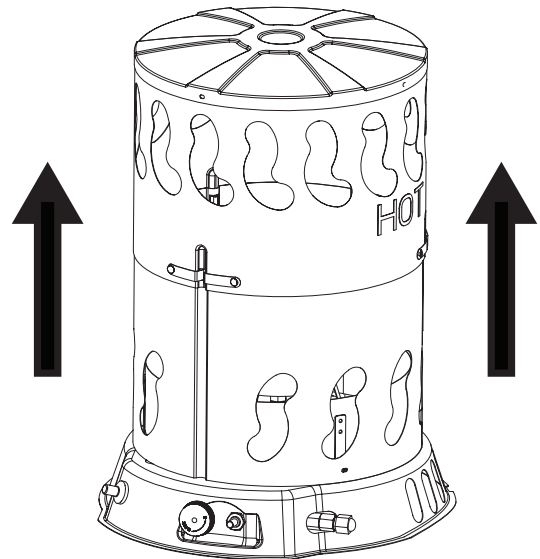
## ATTENTION - POINTS ESSENTIELS À RETENIR !

- Le gaz propane (liquéfié) dégage une odeur particulière. Apprenez à reconnaître cette odeur. Consultez les rubriques Odeur du gaz combustible et Substance odorante, ci-dessus.
- Même si vous n'avez pas été formé pour effectuer l'entretien et la réparation de l'appareil, soyez TOUJOURS attentif aux odeurs que dégagent le gaz propane (liquéfié) et le gaz naturel.
- Si vous n'êtes pas formé pour procéder à l'entretien et à la réparation des appareils au gaz propane (liquéfié), ne tentez pas d'allumer l'appareil, de le réparer ou de l'entretenir, ni d'apporter des réglages au système d'alimentation en gaz propane de l'appareil.
- Peu importe les conditions, une bonne pratique de sécurité consiste à sentir de temps à autre autour de l'appareil, des raccords, du tuyau et autres éléments. Si vous décelez la moindre odeur de gaz, COMMUNIQUEZ IMMÉDIATEMENT AVEC VOTRE FOURNISSEUR EN GAZ COMBUSTIBLE. N'ATTENDEZ PAS !

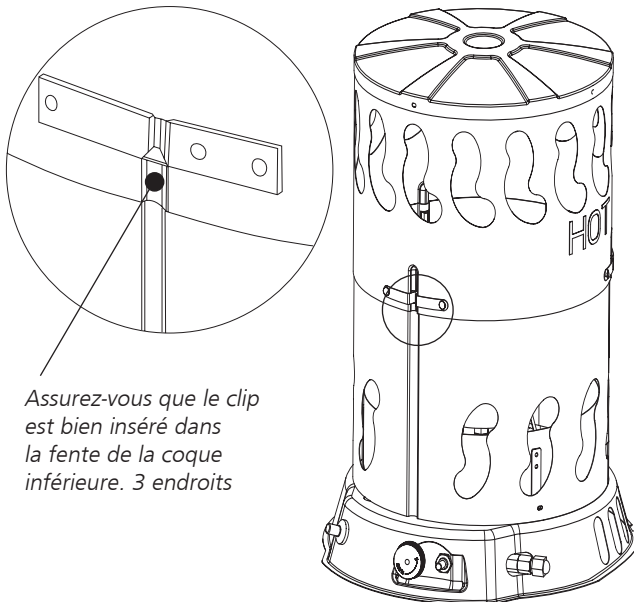
**ATTENTION : N'ALLUMEZ PAS L'APPAREIL ET NE LE FAITES PAS FONCTIONNER À MOINS QUE LA COQUE SOIT COMPLÈTEMENT OUVERTE ET VERROUILLÉE EN POSITION.**



ÉTAPE 1 : APPAREIL TEL QUE REÇU À LA SORTIE DE L'EMBALLAGE. AVANT DE SOULEVER LA COQUE EXTÉRIEURE, PROTÉGEZ-VOUS LES MAINS. NE SAISISSEZ JAMAIS LE MÉTAL NU SANS VOUS PROTÉGER LES MAINS.

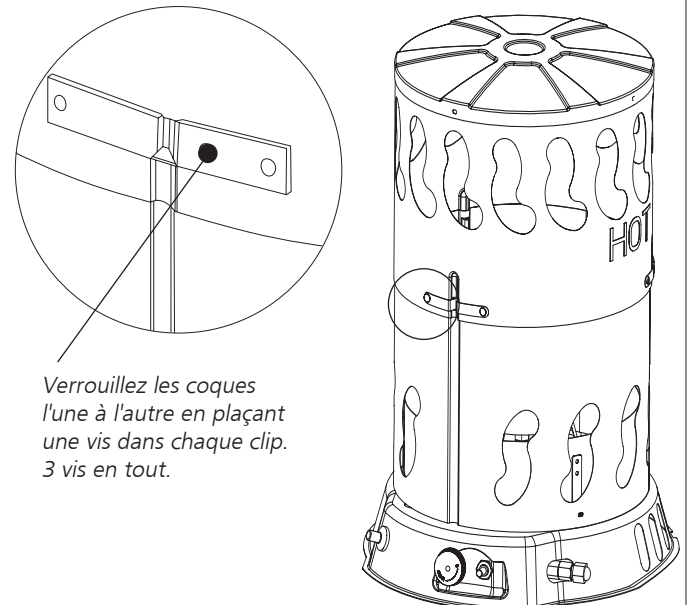


ÉTAPE 2 : SOULEVEZ DIRECTEMENT LA COQUE EXTÉRIEURE. PROTÉGEZ-VOUS BIEN LES MAINS AVANT DE SOULEVER LA COQUE.



*Assurez-vous que le clip est bien inséré dans la fente de la coque inférieure. 3 endroits*

ÉTAPE 3 : SOULEVEZ LA COQUE EXTÉRIEURE JUSQU'À CE QUE LES TROIS CLIPS S'INSÈRENT DANS LES FENTES DE LA COQUE INFÉRIEURE. CECI ÉTANT FAIT, LES TROUS DES VIS DEVRAIENT ÊTRE ALIGNÉS.



*Verrouillez les coques l'une à l'autre en plaçant une vis dans chaque clip. 3 vis en tout.*

ÉTAPE 4 : VERRUILLEZ LES CLIPS AU MOYEN DES TROIS VIS, TEL QU'ILLUSTRÉ. L'APPAREIL NE DOIT PAS FONCTIONNER À MOINS QUE LES COQUES EXTÉRIEURES SOIENT COMPLÈTEMENT OUVERTES ET VERROUILLÉES EN POSITION.

**ATTENTION : N'ALLUMEZ PAS L'APPAREIL ET NE LE FAITES PAS FONCTIONNER À MOINS QUE LA COQUE SOIT COMPLÈTEMENT OUVERTE ET VERROUILLÉE EN POSITION.**

# INSTRUCTIONS DE FONCTIONNEMENT

## AVANT LE FONCTIONNEMENT

1. Ouvrez complètement la coque et verrouillez-la tel qu'indiqué sur le feuillet d'instructions fourni avant d'allumer et de faire fonctionner l'appareil.
2. Vérifiez soigneusement tout dommage qu'aurait pu subir l'appareil de chauffage pendant l'expédition. Si vous en découvrez, avertissez *immédiatement* le fabricant.
3. Respectez toutes les précautions de sécurité et de fonctionnement.
4. Branchez le raccord POL (filet à gauche) du tuyau et du régulateur en tournant l'écrou POL en sens anti-horaire dans la sortie du robinet de la bonbonne de gaz propane, puis serrez-le avec une clé.
5. Raccordez le tuyau flexible à l'appareil.
6. Serrez fermement toutes les connexions de gaz.
7. Ouvrez le robinet de gaz de la bonbonne et vérifiez toutes les connexions au moyen d'un mélange d'eau et de savon. **N'UTILISEZ PAS DE FLAMME.**

## DÉMARRAGE ( 200CVX )

1. **AVERTISSEMENT: Avant d'allumer la veilleuse**, tournez la vanne de brûleur principal ( bouton tournant complètement à droite ) en position basse / lumière.
2. Ouvrir complètement le robinet de la bouteille de propane et attendre 15 secondes avant l'étape 3.
3. Appuyer sur le bouton rouge de la soupape de pilote de sécurité ( vers la droite du bouton variable des soupapes ) admission de gaz au pilote . Ensuite, poussez et relâchez le bouton d'allumage (bouton rouge à la droite du bouton variable des soupapes ) jusqu'à ce que les voyants.
4. Lorsque les veilleuses , continuent à maintenir le bouton enfoncé pendant 30 secondes , puis relâchez pour brûleur principal lumière.
5. Si la veilleuse se éteint , attendre 5 minutes et répéter la procédure d'allumage.
6. Tournez la vanne de brûleur principal de régler la production de chaleur .

## DÉMARRAGE ( 80CVX )

1. **AVERTISSEMENT: Avant d'allumer la veilleuse**, tournez la vanne de brûleur principal ( bouton tournant complètement à droite ) en position basse / lumière.
2. Ouvrir complètement le robinet de la bouteille de propane et attendre 15 secondes avant l'étape 3 .
3. bouton poussoir et maintenez pendant 5 secondes , permettant au gaz pour émettre de l'orifice du brûleur .
4. Tourner le bouton dans le sens antihoraire jusqu'à ce que les clics d'allumage piézo . Continuez à faire tourner et activer l'allumeur jusqu'à ce que le brûleur se allume .
5. Une fois que le brûleur se allume maintenez le bouton dans, sur la position basse pendant 30 secondes . Puis relâchez . Le brûleur doit rester allumé Si elle ne se répète pas les étapes 4 et 5 jusqu'à ce que le brûleur reste allumé
6. Tournez la vanne de brûleur principal de régler la production de chaleur.

## ARRÊT

1. Fermez le robinet sur la bonbonne de gaz propane.
2. Laissez l'appareil fonctionner jusqu'à ce que tout le gaz dans le tuyau ait brûlé.
3. Tourner la valve de brûleur principale à la position basse/ claire.

## REDÉMARRAGE APRÈS UN ARRÊT D'URGENCE

1. Fermez complètement le robinet sur la bonbonne de gaz propane.
2. Attendez cinq minutes.
3. Recommencez la procédure « DÉMARRAGE ».

## ENTRETIEN ET ENTREPOSAGE

1. L'appareil de chauffage doit être vérifié avant chaque utilisation et au moins une fois par année par un technicien qualifié.
2. Avant chaque utilisation, vérifiez l'assise du joint torique souple à la partie arrondie du raccord POL (filet à gauche). Si le joint torique est coupé, usé ou endommagé de quelque façon, remplacez-le par la pièce n° F273786.
3. Coupez l'alimentation en gaz propane liquéfié quand l'appareil n'est pas utilisé.
4. Quand l'appareil de chauffage est rangé à l'intérieur, la connexion entre la bouteille d'alimentation en gaz basse pression et l'appareil doit être débranchée et la bouteille doit être retirée de l'appareil et rangée à l'extérieur, tel que précisé au chapitre 5 de la norme relative au rangement et à la manutention des produits de pétrole liquéfiés ANSI/NFPA 58 et CSA B149.1 du Code d'installation du gaz naturel et du gaz propane.

## VÉRIFICATION

Un appareil de chauffage qui a été modifié ou qui ne fonctionne pas correctement risque d'être une cause de dangers.

- \* La flamme reste dans l'appareil de chauffage.
- \* La flamme a une teinte bleue avec une pointe de couleur jaune.
- \* Il n'y a pas de forte odeur désagréable, pas de sensation de brûlure aux yeux, ni de malaise physique général.
- \* Il n'y a pas de fumée ni de suie à l'intérieur ou à l'extérieur de l'appareil de chauffage.
- \* Il ne se produit pas d'arrêts imprévus ou inexplicables de l'appareil.

La liste des pièces et le schéma du câblage illustrent la construction détaillée de l'appareil de chauffage. N'utilisez pas un appareil de chauffage qui diffère de ce qui est illustré. N'utilisez à cet effet que le tuyau, le régulateur et le raccord de bonbonne (appelé raccord POL) fournis avec l'appareil de chauffage. **IMPORTANT** Faire correspondre la bande de couleur de l'étiquette fixée au tuyau à la couleur de l'étiquette située près du raccord d'entrée de gaz propane. N'utilisez aucun élément de substitution. Sur cet appareil de chauffage, le régulateur doit être réglé tel qu'indiqué à la rubrique « Spécifications ». Si vous avez un doute au sujet du réglage du régulateur, faites-le vérifier.

Si un appareil de chauffage ne fonctionne pas correctement, il doit être réparé, mais seulement par un technicien formé et expérimenté.

Les produits couverts par la garantie seront réparés sans frais, pièces et main-d'œuvre comprises. Veuillez joindre une courte description de la nature du problème avec la date, le lieu et la preuve d'achat.

Les produits non couverts par la garantie seront réparés aux frais (pièces et main-d'œuvre) du client.

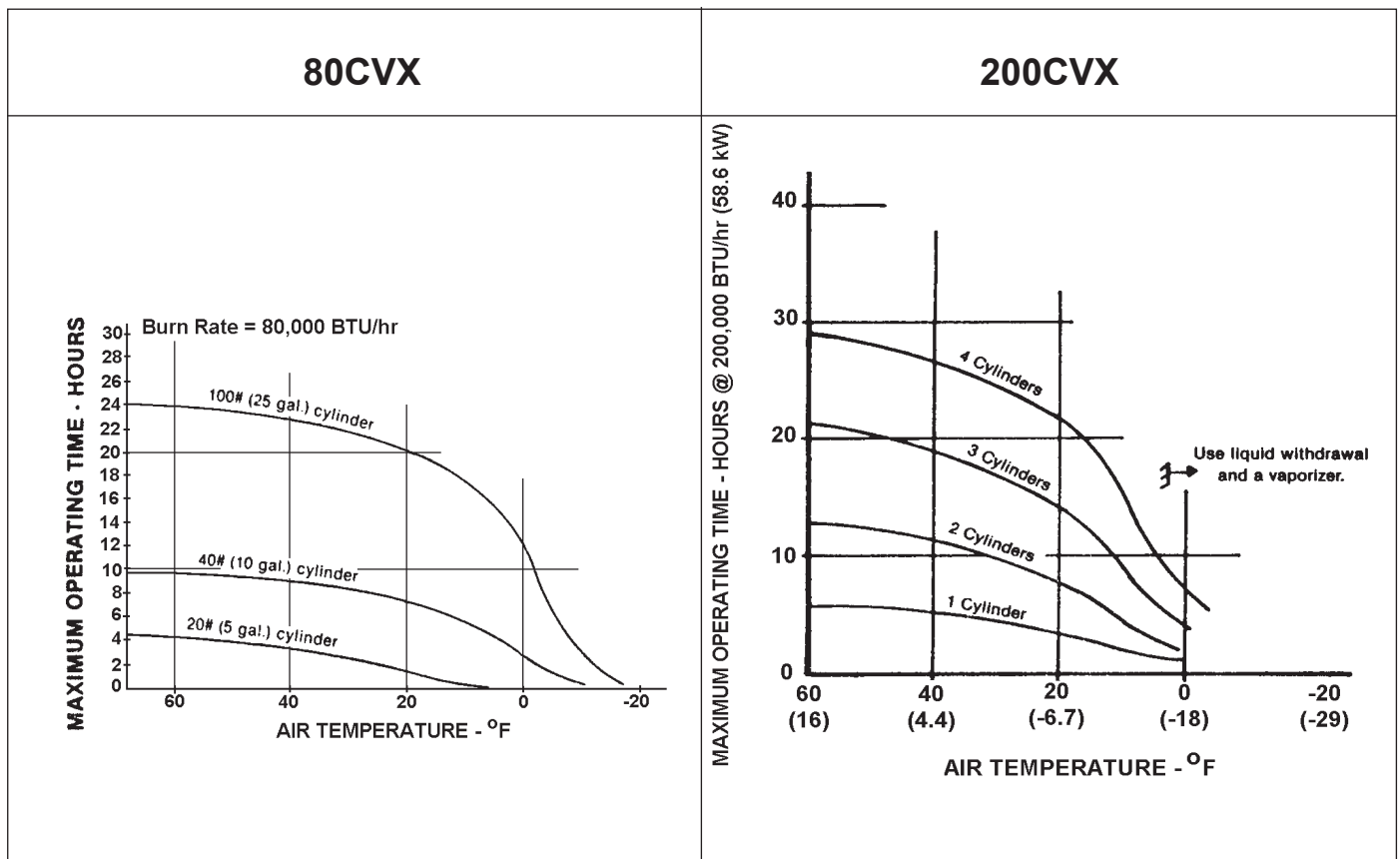


# TABLEAU DE DIMENSIONS ET CONTENANCES DES BONBONNES DE GAZ PROPANE REQUISES

Les tableaux qui suivent indiquent la taille approximative de la bonbonne de gaz requise pour ces appareils de chauffage. Pour utiliser le tableau :

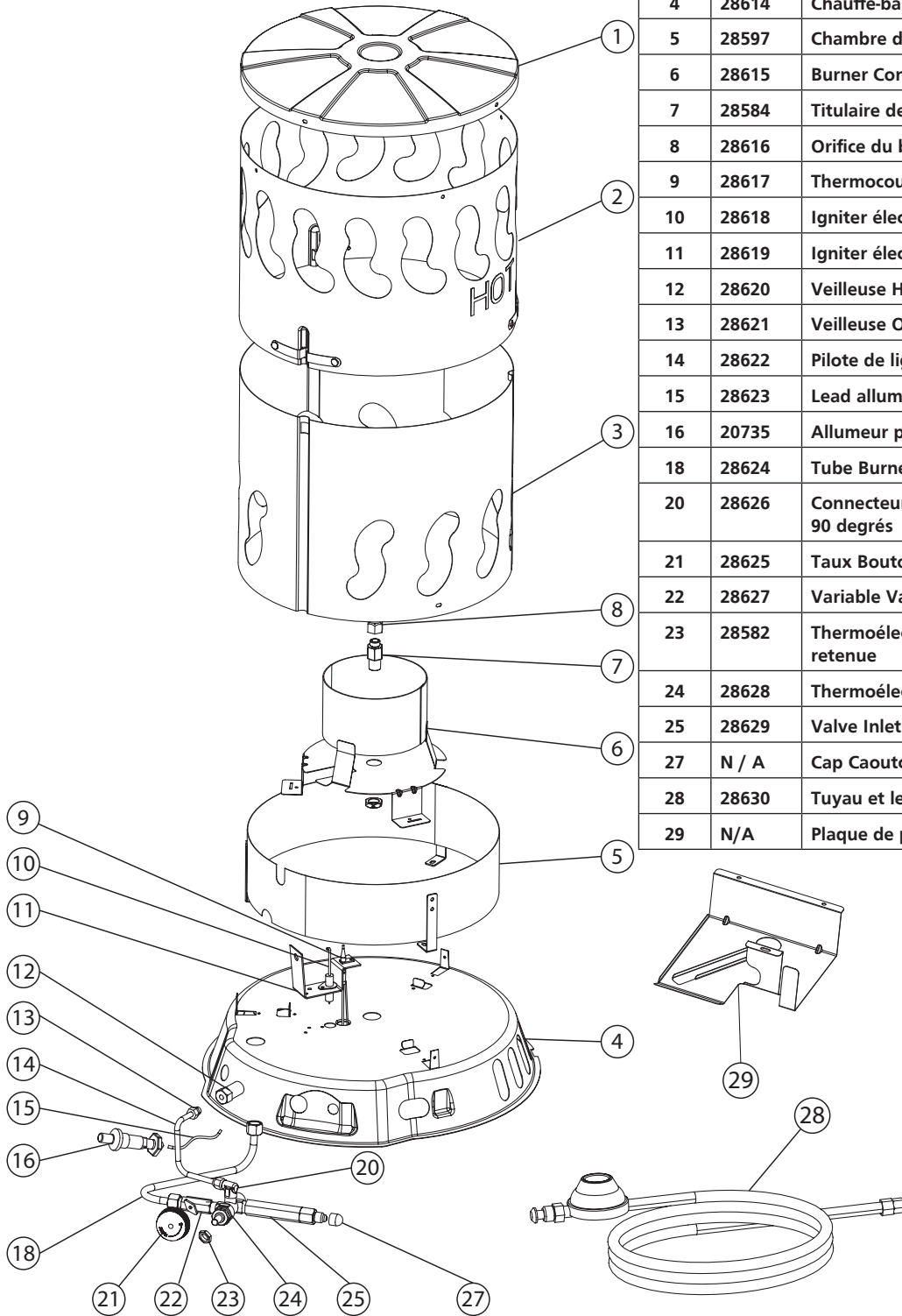
1. Sélectionnez la température de l'air la plus basse prévue (au bas du tableau).
2. Allez ensuite directement au haut du tableau au temps d'utilisation désiré (côté gauche du tableau).
3. Notez la dimension de la bonbonne requise.

Tous les appareils de chauffage doivent : être munis de bonbonnes pleines  
disposer d'une bonne circulation  
d'air ne présenter aucun signe de givre

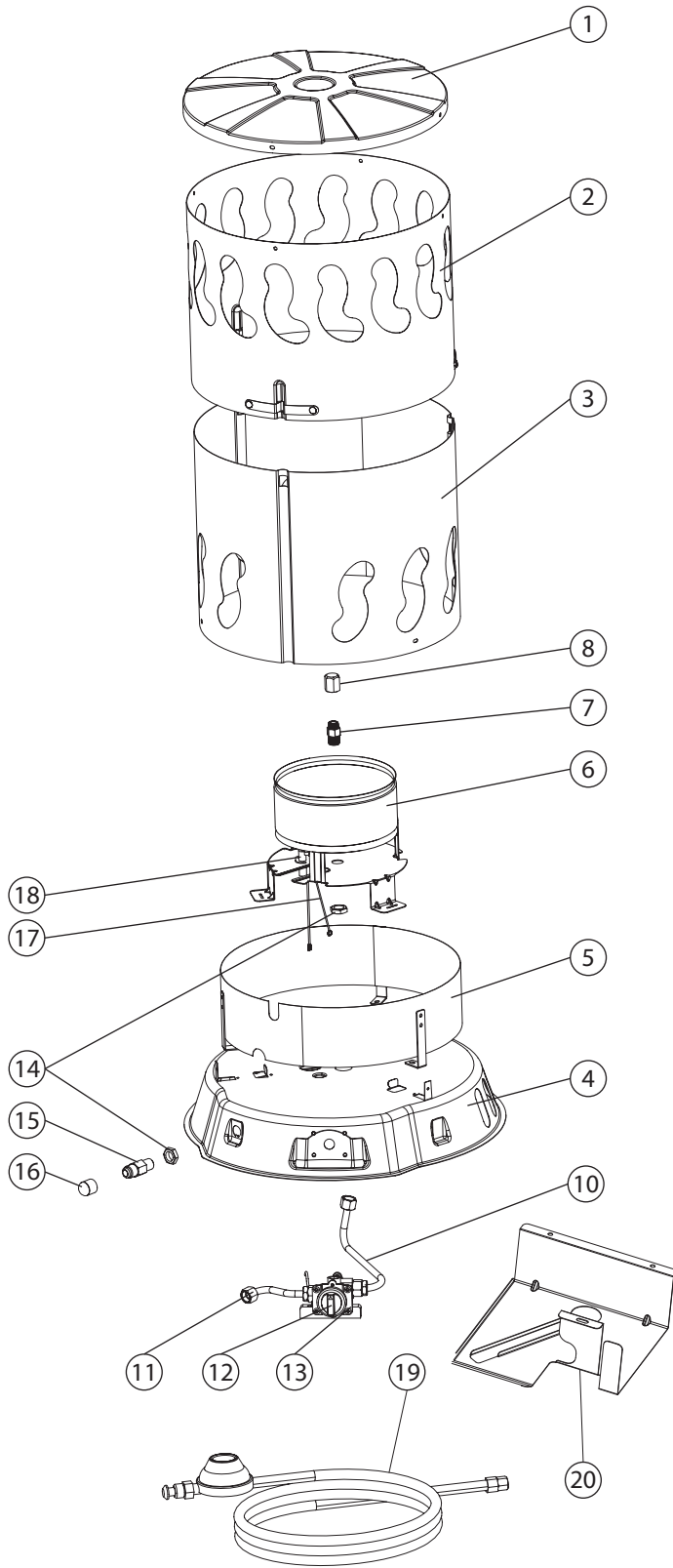


## VUE ÉCLATÉE ET PIÈCES LISTE HS200CVX

REF #	ITEM #	Desc.	QTY
1	28590	Chambre de combustion supérieure 200CV	1
2	28612	Combustion Chambre haute 200CV	1
3	28613	Combustion Chambre basse 200CV	1
4	28614	Chauffe-base	1
5	28597	Chambre de combustion Anneau	1
6	28615	Burner Cone	1
7	28584	Titulaire de l'orifice du brûleur	1
8	28616	Orifice du brûleur	1
9	28617	Thermocouple	1
10	28618	Igniter électrode	1
11	28619	Igniter électrode support	1
12	28620	Veilleuse Head	1
13	28621	Veilleuse Orifice	1
14	28622	Pilote de ligne d'alimentation en gaz	1
15	28623	Lead allumeur	1
16	20735	Allumeur piézoélectrique avec écrou	1
18	28624	Tube Burner Supply	1
20	28626	Connecteur d'alimentation pilote de 90 degrés	1
21	28625	Taux Bouton de réglage	1
22	28627	Variable Valve Body	1
23	28582	Thermoélectrique Valve écrou de retenue	1
24	28628	Thermoélectrique Valve	1
25	28629	Valve Inlet Nipple	1
27	N / A	Cap Caoutchouc	1
28	28630	Tuyau et le régulateur ensemble 10'	1
29	N/A	Plaque de protection de fond	1



## VUE ÉCLATÉE ET PIÈCES LISTE HS80CVX



REF #	ITEM #	Desc.	QTY
1	28590	La chambre de combustion supérieure 80CVX	1
2	28589	Combustion Chambre haute 80CVX	1
3	28588	Combustion Chambre basse 80CVX	1
4	28593	Chauffe-base	1
5	28597	Chambre de combustion Anneau	1
6	28585	Burner Cone	1
7	28584	Titulaire de l'orifice du brûleur	1
8	28583	Orifice du brûleur	1
10	28595	Tube Burner Supply	1
11	28594	Le tube d'admission de carburant Supply	1
12	28591	À taux variable Valve Knob	1
13	28587	Assemblée Valve Control	1
14	28582	Écrou de retenue	2
15	28596	Inlet Flare montage	1
16	N / A	Cap Caoutchouc	1
17	28592	Thermocouple	1
18	28586	Igniter électrode	1
19	28598	Tuyau et le régulateur ensemble 10'	1
19		Tuyau et régulateur 10'	1
20	N/A	Plaque de protection de fond	1



# GUIDE D'UTILISATION ET MANUEL DU PROPRIÉTAIRE

Modèle #

HS80CVX  
HS200CVX

**VEUILLEZ LIRE ATTENTIVEMENT LES INSTRUCTIONS :** Veuillez lire et suivre toutes les directives. Conservez ces instructions dans un endroit sécuritaire pour vous y référer ultérieurement. Ne permettez pas à quiconque n'ayant pas lu les présentes instructions d'assembler, d'allumer, de régler ou de faire fonctionner cet outil.



## AVERTISSEMENT :

N'UTILISEZ QUE LES PIÈCES DE REMPLACEMENT DU FABRICANT. L'UTILISATION D'AUTRES PIÈCES RISQUE DE CAUSER DES BLESSURES ET LA MORT. LES PIÈCES DE REMPLACEMENT NE SONT OFFERTES QUE PAR LE FABRICANT ET DOIVENT ÊTRE INSTALLÉES PAR UNE ENTREPRISE SPÉCIALISÉE.

## INFORMATIONS SUR LA COMMANDE DE PIÈCES :

**ACHAT :** Les accessoires peuvent être achetés chez n'importe quel revendeur local ou directement à l'usine.

### POUR DES INFORMATIONS CONCERNANT LE SERVICE

Veuillez appeler sans frais le 866-447-2194 • WWW.HEATSTARBYENERCO.COM

Nos heures de bureau sont de 8:00 h à 17:00 h, fuseau horaire de l'est, du lundi au vendredi

Veuillez inclure le numéro du modèle, la date d'achat et la description du problème dans toute communication.

## GARANTIE LIMITÉE

L'entreprise garantit ce produit contre tout défaut de matériel ou de main-d'œuvre, dans des conditions d'utilisation normale et adéquate, conformément aux instructions de l'entreprise, pour une période de un an à compter de la date de livraison à l'acheteur. L'entreprise réparera ou remplacera, à sa discrétion, les produits retournés port payé par l'acheteur au fabricant dans la période de un an et jugés par l'entreprise comme présentant des défauts de matériel ou de main-d'œuvre.

Si une pièce est endommagée ou manquante, téléphonez à notre service de support technique au 866-447-2194.

Adressez toute réclamation relative à la garantie à Service Department, HEATSTAR, Inc., 4560 W. 160TH ST., CLEVELAND, OHIO 44135 États-Unis. Indiquez vos nom, adresse et numéro de téléphone ainsi que les détails de la réclamation. Indiquez-nous également la date d'achat et le nom et l'adresse du détaillant auprès duquel vous avez acheté le produit.

Ce qui est énoncé ci-dessus constitue la responsabilité totale de l'entreprise. Il n'existe aucune autre garantie, expresse ou tacite. Plus précisément, il n'y a aucune garantie concernant l'adéquation à une utilisation particulière ni aucune garantie concernant la qualité marchande. En aucun cas l'entreprise ne sera tenue responsable des retards causés par des défauts, ni des dommages indirects, ni des dépenses encourues sans son consentement écrit, quelle que soit leur nature. Le coût de la réparation ou du remplacement sera le seul recours possible en cas de violation de garantie. Il n'y a aucune garantie contre une transgression de ce genre ni aucune garantie tacite découlant des usages du commerce ou de la façon habituelle d'échanger. La présente garantie ne s'applique à aucun produit qui a été réparé ou modifié par d'autres que le fabricant si cela influe de quelque façon que ce soit sur la condition de l'appareil ou son fonctionnement, selon notre jugement.

Certains États ou provinces ne permettent pas d'exclure ou de limiter les dommages indirects ou subséquents. Par conséquent, les limitations ou exclusions ci-dessus mentionnées ne vous concernent peut-être pas. La présente garantie vous accorde des droits juridiques précis, mais vous pourriez avoir d'autres droits qui varient selon la province ou l'État.

HEATSTAR Inc. se réserve le droit d'effectuer des modifications en tout temps, sans préavis ni obligation, aux couleurs, aux spécifications, aux accessoires, aux matériaux et aux modèles.

**ENREGISTREMENT DU PRODUIT :** Nous vous remercions de votre achat.

Veuillez vous connecter à <http://www.egiregistration.com> pour enregistrer votre produit.

HEATSTAR, INC., 4560 W. 160TH ST., CLEVELAND, OHIO 44135 É.-U. • (216) 916-3000

HEATSTAR est une marque de commerce déposée d'HEATSTAR Inc.

© 2015, HEATSTAR Tous droits réservés.



ANSI Z83.7/CSA 2.14-2011





# INSTRUCCIONES DE USO Y MANUAL DEL USUARIO

Modelo #

HS80CVX  
HS200CVX

**LEA CUIDADOSAMENTE LAS INSTRUCCIONES:** lea y siga todas las instrucciones. Consérvelas en un lugar seguro para futura referencia. No permita que nadie que no haya leído estas instrucciones arme, encienda, ajuste o use el calentador.



## CALENTADOR A CONVECCIÓN PARA CONSTRUCCIÓN

**Si no se siguen al pie de la letra las instrucciones de este manual, podría**  
**ADVERTENCIA:** producirse un incendio o una explosión que provocaría daños materiales, lesiones o muertes.

- No almacene ni utilice gasolina ni ningún otro vapor ni líquido inflamable cerca de este ni de ningún otro artefacto.
- Un cilindro LP que no esté conectado al calentador no debe almacenarse cerca de este ni de ningún otro artefacto.
- QUÉ HACER SI DETECTA OLOR A GAS
  - No intente encender el artefacto.
  - Apague todas las llamas expuestas.
  - Corte el suministro de gas al artefacto.
- El mantenimiento debe ser realizado por una agencia de reparación calificada.

Este calentador portátil a gas no tiene una fuente propia de ventilación. Utiliza el aire (oxígeno) del área en la cual se emplea. Debe suministrarse el aire necesario para la ventilación y la combustión. Consulte la página 3.

### ADVERTENCIA:

⚠ SU SEGURIDAD ES IMPORTANTE PARA USTED Y PARA LOS DEMÁS. POR ELLO, LEA ESTAS INSTRUCCIONES ANTES DE UTILIZAR EL CALENTADOR.

### ADVERTENCIA GENERAL DE PELIGRO:

- ⚠ EL NO CUMPLIR CON LAS PRECAUCIONES E INSTRUCCIONES QUE VIENEN CON ESTE CALENTADOR PUEDE CAUSAR LA MUERTE, LESIONES GRAVES Y PÉRDIDAS Y DAÑOS MATERIALES DERIVADOS DEL PELIGRO DE INCENDIO, EXPLOSIÓN, QUEMADURAS, ASFIXIA, ENVENENAMIENTO CON MONÓXIDO DE CARBONO Y/O DESCARGAS ELÉCTRICAS.
- ⚠ SOLO LAS PERSONAS QUE ENTIENDAN Y PUEDAN SEGUIR LAS INSTRUCCIONES DEBEN USAR O MANTENER ESTE CALENTADOR.
- ⚠ SI NECESITA AYUDA O INFORMACIÓN ACERCA DEL CALENTADOR, COMO MANUALES DE INSTRUCCIONES, ETIQUETAS, ETC., PÓNGASE EN CONTACTO CON EL FABRICANTE.

### ADVERTENCIA:

⚠ NO APTO PARA USAR EN EL HOGAR NI EN CASAS RODANTES.

### ADVERTENCIA:

⚠ PELIGRO DE INCENDIO, QUEMADURAS, INHALACIÓN Y EXPLOSIÓN. MANTENGA LOS COMBUSTIBLES SÓLIDOS, TALES COMO MATERIALES DE CONSTRUCCIÓN, PAPEL O CARTÓN, A UNA DISTANCIA SEGURA DEL CALENTADOR. COMO SE RECOMIENDA EN LAS INSTRUCCIONES, NUNCA USE EL CALENTADOR EN ESPACIOS QUE CONTENGAN O PODRÍAN CONTENER COMBUSTIBLES VOLÁTILES O GASEOSOS, NI PRODUCTOS COMO GASOLINA, SOLVENTES, DILUYENTES DE PINTURA, PARTÍCULAS DE POLVO O PRODUCTOS QUÍMICOS DESCONOCIDOS.

### EL ESTADO DE CALIFORNIA EXIGE LA SIGUIENTE ADVERTENCIA:

### ADVERTENCIA:

UNA DE LAS SUSTANCIAS QUE SE DESPRENDE EN LA COMBUSTIÓN AL USAR ESTE EQUIPO ES EL MONÓXIDO DE CARBONO, UN COMPUESTO QUÍMICO QUE DE ACUERDO CON EL ESTADO DE CALIFORNIA PRODUCE CÁNCER Y DEFECTOS DE NACIMIENTO (U OTROS DAÑOS REPRODUCTIVOS).

ESTE PRODUCTO CONTIENE SUSTANCIAS QUÍMICAS QUE DE ACUERDO CON EL ESTADO DE CALIFORNIA PRODUCEN CÁNCER Y DEFECTOS DE NACIMIENTO U OTROS DAÑOS REPRODUCTIVOS.

## ÍNDICE

ESPECIFICACIONES DEL CALENTADOR .....	2	REPARACIÓN .....	6
ADVERTENCIAS .....	2	TAMAÑO Y CAPACIDAD DE LOS CILINDROS DE PROPANO NECESARIOS.....	7
PRECAUCIONES DE UTILIZACIÓN.....	3	PIEZAS 80CVX .....	8
PRECAUCIONES DE SEGURIDAD.....	3	PIEZAS 200CVX .....	9
ADVERTENCIA DE DISIPACIÓN DEL OLOR .....	4	GARANTÍA.....	10
CUIDADO: INSTRUCCIONES SOBRE LA EXTENSIÓN DE LA CARCASA.....	5	INSTRUCCIONES PARA ORDENAR PIEZAS .....	10
INSTRUCCIONES DE USO.....	6		

## ESPECIFICACIONES

MODEL	HS80CVX	HS200CVX
MAX SUPPLY PRESSURE:		
Presión del suministro de gas al regulador MIN	5PSI (34.5 kPa)	15PSI (103 kPa)
Presión del suministro de gas al regulador MAX	Presión del cilindro	Presión del cilindro
salida del regulador	11" W.C. (2.74 kPa)	10 PSI (68.9 kPa)
Encendido	Encendedor Piezo	Encendedor Piezo
Temperatura ambiente mínima Especificación	0° F (17.8) ° C	0° F (17.8) ° C
Especificación Bajo a alto	30,000-80,000 BTU/HR (4.3-7.3 kW)	75,000-200,000 BTU/HR (22-58.6 kW)
Consumo de combustible:	1.4-3.7 LBS/HR (0,74-1,80kg/HR)	3.5-9.3 LBS/HR (1,44-4,32 kg/HR)
Hose Length	20' (609 cm)	20' (609 cm)

### Figura 1 1 VENTILACIÓN: Aperturas mínimas necesarias

Apertura cerca del piso	2pies <sup>2</sup>	2pies <sup>2</sup>
Apertura cerca del cielorraso	2pies <sup>2</sup>	2pies <sup>2</sup>

## INFORMATIONS GÉNÉRALES

MAINTENEZ CE MANUEL POUR LA FUTURE RÉFÉRENCE. POUR DES QUESTIONS, PROBLÈMES, PIÈCES ABSENTES AVANT RENVOI AU DÉTAILLANT APPELÉZ SVP AVEC LE MODÈLE NOMBRE ET NUMÉRO DE SÉRIE DE RÉCHAUFFEUR : 866-447-2194 LUNDI LE VENDREDI 8 - 5 P.M. EST.

OU E-MAIL EN UTILISANT M. SITE WEB DE RÉCHAUFFEUR : WWW.HEATSTARBYENERCO.COM

**CUIDADO SI NO SE CUMPLE CON ESTOS REQUISITOS DE VENTILACIÓN, SE PODRÍAN PROVOCAR DAÑOS POR HOLLÍN.**

## PRECAUCIONES DE UTILIZACIÓN

Este artefacto es un calentador de propano de caldeo directo de convección. Está diseñado principalmente para calefaccionar edificios en construcción, remodelación o reparación.

El propano es más pesado que el aire. Cuando el propano escapa de una conexión o acople, desciende hacia el piso y se acumula allí con el aire circundante, y forma una mezcla potencialmente explosiva. Obviamente, las fugas de propano deben evitarse, así que debe establecer la conexión del suministro de propano con extremo cuidado. Lea el documento adjunto "Propano y disipación del olor" para obtener más información sobre la detección de fugas de propano. Realice una comprobación de fugas utilizando una solución de agua jabonosa siempre que establezca una nueva conexión o realice una reconexión, y siga todas las instrucciones de conexión incluidas en este documento. Además, solicite asesoramiento del proveedor de propano acerca de la aplicación e instalación del suministro de propano, y pídale que realice una revisión si tuviera alguna duda.

El calentador está diseñado y aprobado para usarse como calentador para construcción bajo las normas ANSI Z83.7/CGA 2.14-2000. Consulte con la autoridad de seguridad antiincendios si tiene alguna pregunta sobre sus aplicaciones. Hay otros estándares que rigen el uso de gases combustibles y productos que producen calor en aplicaciones específicas. Su autoridad local podrá asesorarlo al respecto.

De caldeo directo quiere decir que todos los productos de la combustión ingresan al espacio que se calefacciona. Aunque este calentador funciona casi a un 100 % de eficiencia de combustión, produce pequeñas cantidades de monóxido de carbono. El monóxido de carbono (CO) es tóxico. Podemos tolerar pequeñas cantidades, pero no grandes cantidades. El CO puede acumularse en el lugar que se calienta y si no se establecen las condiciones de ventilación adecuadas puede resultar mortal. Los síntomas de ventilación inadecuada son:

- dolor de cabeza
- mareos
- ardor en los ojos y en la nariz
- náuseas
- boca reseca o dolor de garganta

Por tanto, asegúrese de seguir las recomendaciones sobre las condiciones de ventilación que se incluyen en estas instrucciones de uso.

**Cuando deba utilizarse el calentador en presencia de otras personas, el usuario será responsable de poner a los presentes al corriente de las precauciones e instrucciones de seguridad, y de los posibles peligros.**

## PRECAUCIONES DE SEGURIDAD

1. Revise cuidadosamente si el calentador presenta daños. NO use un calentador dañado.
2. **NO** modifique el calentador ni lo use si su configuración original ha sido modificada.
3. **NO** encienda ni use el calentador a menos que las carcasas se encuentren completamente extendidas y trabadas en su posición. Consulte la hoja del conjunto adjunta para obtener las instrucciones.
4. Utilice únicamente gas propano.
5. Utilice únicamente suministro de propano con RECUPERACIÓN DE VAPOR. Si tiene alguna pregunta sobre la recuperación de vapor, consulte al proveedor de propano.
6. Monte los cilindros de propano verticalmente (válvula hacia arriba). Asegúrelos para que no caigan ni sean arrojados al piso y protéjalos de daños.

7. Ubique los envases de propano a las distancias designadas del calentador. Además, no dirija el escape hacia los envases.

Para EE. UU.:

al menos 7 pies (2.13 m) para la unidad 80CVX

al menos 9 pies (2.7 m) para la unidad 200CVX

Para Canadá:

al menos 10 pies (3 m) para la unidad 80CVX o 200CVX.

8. **IMPORTANTE:** Use únicamente la manguera y el regulador que vienen con el calentador. Haga coincidir la franja de color de la etiqueta colgante que se encuentra en el acople de la manguera con el color de la etiqueta situada cerca del acople de entrada del propano en el calentador. Inspeccione siempre el conjunto de la manguera antes de utilizar el calentador. Si el conjunto de la manguera estuviera excesivamente estropeado o desgastado, o si presentara cortaduras, reemplácelo por uno de los que se especifica en la lista de piezas antes de utilizar el calentador.
9. Solo para uso en interiores. El área debe estar bien ventilada. **Figura 1.** (consulte también la sección "Precauciones de utilización").
10. Si detectara olor a gas en algún momento, **INTERRUMPA INMEDIATAMENTE** la utilización del equipo hasta que haya sido detectada y corregida la fuente de gas. Lea el documento adjunto "Propano y disipación del olor" para obtener más información sobre la detección de fugas de propano.
11. Instale el calentador de forma tal que no esté directamente expuesto a salpicaduras de agua, lluvia ni goteo de agua.
12. Mantenga las distancias mínimas de materiales combustibles normales (como el papel). **Figura 2.**
13. Dadas las elevadas temperaturas de la superficie y del escape, tanto los adultos como los niños deben mantener la distancia adecuada para evitar quemaduras o la ignición de su ropa.
14. Úselo únicamente sobre una superficie nivelada y estable.
15. No lo utilice en redes de conductos. No restrinja las entradas ni las salidas.
16. No lo mueva, manipule ni ajuste mientras esté caliente o encendido.
17. Utilice únicamente de acuerdo con los códigos locales o, en la ausencia estos, de acuerdo con los Estándares ANSI/NFPA 58 y CSA B149.1 para almacenamiento y manipulación de gases licuados del petróleo del Código de instalación de propano y gas natural.

### Figura 2

#### DISTANCIA MÍNIMA: de materiales combustibles normales

Distancia	80CVX, 200CVX Convección
-----------	-----------------------------

Desde los laterales .....4 pies

Desde la parte superior .....6 pies

Colóquelo a 10' de lonas o cubiertas de protección plásticas o cubiertas similares y asegúrelas para evitar que ondeen o se muevan por la acción del viento.

## ADVERTENCIA DE DISIPACIÓN DEL OLOR

### ADVERTENCIA

#### Peligro de asfixia

- No utilice este calentador para calefaccionar locales habitados por personas.
- No lo utilice en áreas sin ventilación.
- No obstruya el flujo de aire necesario para la combustión y la ventilación.
- Deberá suministrar la ventilación adecuada para garantizar que el calentador disponga del aire que necesita para la combustión.
- Consulte la sección de especificaciones del manual del calentador, la placa del calentador o póngase en contacto con el fabricante para conocer los requisitos de ventilación del calentador.
- Si la ventilación no es la adecuada, la combustión no se llevará a cabo correctamente.
- Una combustión inadecuada puede producir envenenamiento con monóxido de carbono con graves daños para la salud, o causar la muerte. Los síntomas de envenenamiento con monóxido de carbono incluyen dolores de cabeza, mareos y dificultad para respirar.

## OLOR A GAS COMBUSTIBLE

**El gas LP y el gas natural contienen sustancias aromáticas artificiales añadidas específicamente para facilitar la detección de fugas de gas. Si se produjera una fuga de gas, usted debe poder oler el gas combustible. Dado que el propano (LP) es más pesado que el aire, debe tratar de detectar el olor lo más cerca del piso posible. ¡CUALQUIER OLOR A GAS SERÁ LA SEÑAL PARA TOMAR MEDIDAS INMEDIATAMENTE!**

- No haga nada que pudiera inflamar el gas combustible. No active ningún interruptor eléctrico. No desconecte ninguna toma de corriente ni cables de extensión. No encienda fósforos ni ninguna otra fuente de llamas. No utilice el teléfono.
- Saque a todas las personas del edificio y aléjelas del área inmediatamente.
- Cierre todas las válvulas de suministro de combustible de los cilindros o del tanque de gas propano (LP), o la válvula principal de suministro de combustible que se encuentra en el medidor si emplea gas natural.
- El gas propano (LP) es más pesado que el aire y puede asentarse en áreas bajas. Cuando sospeche que puede haber una fuga de propano, manténgase alejado de las áreas bajas.
- Utilice el teléfono de su vecino y llame al proveedor de gas y al departamento de bomberos. No vuelva a entrar al edificio ni se acerque al área.
- Manténgase alejado del edificio y del área hasta que los bomberos y el proveedor de gas hayan declarado que no hay peligro.
- POR ÚLTIMO, permita que la persona del servicio de gas y los bomberos revisen si hay fugas de gas. Haga que ventilen el edificio y el área antes de su regreso. Un agente de servicios calificado debe reparar cualquier fuga, revisar si hay otras fugas y volver a encender el artefacto por usted.

## DISIPACIÓN DEL OLOR: NO SE DETECTA NINGÚN OLOR

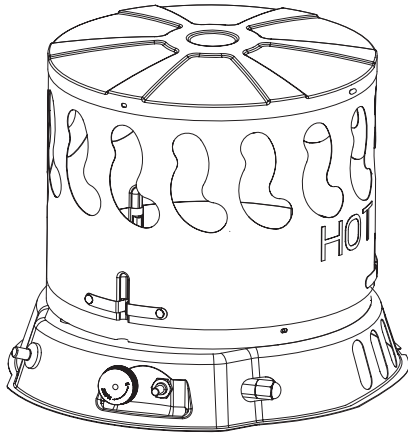
- Algunas personas tienen problemas de olfato. Algunos no pueden detectar el olor del químico artificial añadido al propano (LP) o al gas natural. Debe determinar si es capaz de oler la sustancia aromática que contienen estos gases combustibles.
- Aprenda a reconocer el olor del gas propano (LP) y del gas natural. Los distribuidores locales de propano (LP) le darán con gusto un panfleto con muestras de olores. Utilícelo para familiarizarse con el olor del gas combustible.
- El hábito de fumar puede disminuir el sentido del olfato. Exponerse a un olor durante un período puede afectar su sensibilidad a ese olor específico. Los olores presentes en instalaciones donde se crían animales pueden enmascarar el olor del gas combustible.
- **La sustancia aromática presente en el gas propano (LP) y en el gas natural es incolora y la intensidad de su olor puede desvanecerse en algunas circunstancias.**
- Si hay una fuga subterránea, el recorrido del gas a través del suelo puede filtrar esta sustancia aromática.
- El aroma del gas propano (LP) puede variar en intensidad a diferentes niveles. Dado que el gas propano (LP) es más pesado que el aire, el olor puede ser más intenso en los niveles más bajos.
- **Manténgase siempre alerta al más mínimo olor a gas.** Si continúa percibiendo el olor a gas, no importa cuán poco sea, proceda como si fuera una fuga grave. Tome medidas de inmediato como se explicó anteriormente.

## ATENCIÓN: PUNTOS IMPORTANTES PARA RECORDAR

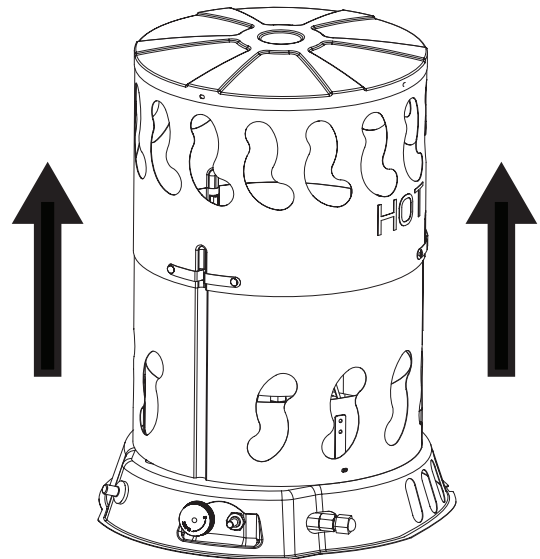
- El gas propano (LP) tiene un olor característico. Aprenda a reconocer estos olores. (Consulte las secciones "Olor a gas combustible" y "Disipación del olor").
- Aunque usted no esté capacitado para dar mantenimiento y reparar el calentador, SIEMPRE esté atento a los olores del gas propano (LP) y del gas natural.
- Si no ha recibido capacitación para reparar y dar mantenimiento a equipos que emplean gas propano (LP), no intente encender el calentador, darle mantenimiento o repararlo, ni hacer ningún ajuste al calentador en el sistema de combustible de gas propano (LP).
- Una prueba olfativa periódica en las proximidades del calentador o en sus conexiones, por ejemplo, en la manguera, los acoples, etc., es una buena costumbre en todo momento. Si huele la más mínima cantidad de gas, PÓNGASE EN CONTACTO CON EL PROVEEDOR DE GAS INMEDIATAMENTE. ¡NO ESPERE!



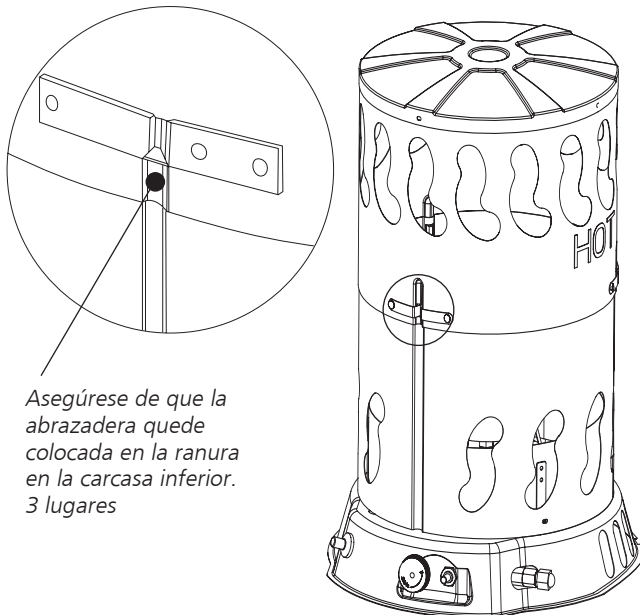
**CUIDADO: NUNCA ENCIENDA O USE ESTE CALENTADOR A MENOS QUE LAS CARCASAS ESTÉN EXTENDIDAS POR COMPLETO Y TRABADAS EN SU POSICIÓN.**



PASO 1: EL CALENTADOR SE RECIBIÓ FUERA DE LA CAJA. ANTES DE LEVANTAR LA CARCASA EXTERNA, PROTÉJASE LAS MANOS. NUNCA AGARRE LOS ELEMENTOS METÁLICOS SIN ANTES PROTEGERSE LAS MANOS.

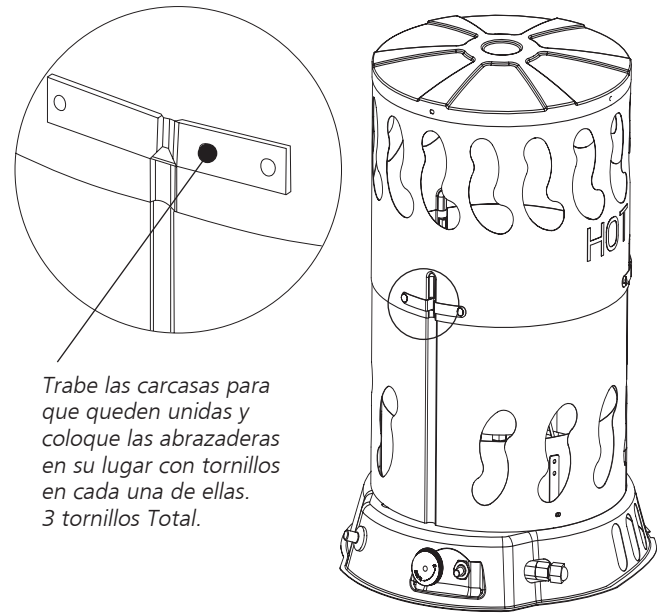


PASO 2: LEVANTE LA CARCASA EXTERNA HACIA ARRIBA DE FORMA VERTICAL. SE DEBE TENER EL CUIDADO NECESARIO PARA PROTEGERSE LAS MANOS DURANTE EL LEVANTAMIENTO.



*Asegúrese de que la abrazadera quede colocada en la ranura en la carcasa inferior. 3 lugares*

PASO 3: LEVANTE LA CARCASA EXTERNA HASTA QUE LAS TRES ABRAZADERAS SE INSERTEN EN LAS RANURAS EN LA CARCASA INFERIOR. CUANDO ESTO SUCEDA, SE ALINEARÁN LOS ORIFICIOS PARA LOS TORNILLOS.



*Trabe las carcasas para que queden unidas y coloque las abrazaderas en su lugar con tornillos en cada una de ellas. 3 tornillos Total.*

PASO 4: TRABE LA ABRAZADERA EN SU LUGAR CON 3 TORNILLOS, TAL COMO SE MUESTRA. NO SE DEBE USAR EL CALENTADOR A MENOS QUE LA CARCASA EXTERNA SE ENCUENTRE BIEN EXTENDIDA Y COMPLETAMENTE TRABADA EN SU LUGAR.

**CUIDADO: NUNCA ENCIENDA O USE ESTE CALENTADOR A MENOS QUE LAS CARCASAS ESTÉN EXTENDIDAS POR COMPLETO Y TRABADAS EN SU POSICIÓN.**

# INSTRUCCIONES DE USO

## PREPARATIVOS PARA EL USO

1. Extienda la carcasa por completo y trábela en su lugar tal como se muestra en la hoja de instrucciones adjunta antes de encender o usar el calentador.
2. Revise el calentador para determinar si sufrió daños durante el envío. Si encontrara alguno, notifíquelo inmediatamente a la fábrica.
3. Siga todas las precauciones de seguridad y utilización.
4. Conecte el acople POL de la manguera y el conjunto del regulador al cilindro de propano rotando la tuerca POL hacia la izquierda dentro de la válvula de salida del cilindro de propano y ajústela con una llave.
5. Conecte la manguera al calentador.
6. Asegure bien todas las conexiones de gas.
7. Abra la válvula de gas del cilindro y compruebe todas las conexiones de gas con una solución de agua jabonosa. NO UTILICE LLAMAS.

## EL COMENZAR (200CVX)

1. ADVERTENCIA: ANTES DE PILOTO DE LA ILUMINACIÓN, dé vuelta a la válvula principal de la hornilla (perilla de la vuelta completamente a la derecha) al punto bajo/a la posición ligera.
2. Abra completamente la válvula en el cilindro del propano y espere 15 segundos antes del paso 3.
3. Presione el botón rojo en la válvula experimental de seguridad (a la derecha de la perilla variable de la válvula) que admite el gas al piloto. Después empuje y lance el botón de la ignición (rojo botón a la derecha de la perilla variable de la válvula) hasta los pilotos.
4. Cuando los pilotos, continúan sosteniendo el botón presionado por 30 segundos, después lance para encender la hornilla principal.
5. Si sale el piloto, espere 5 minutos y repita el procedimiento de la iluminación.
6. Dé vuelta a la válvula principal de la hornilla para regular salida de calor.

## COMENZANDO (80CVX)

1. ADVERTENCIA: ANTES DE PILOTO DE LA ILUMINACIÓN, dé vuelta a la válvula principal de la hornilla (perilla de la vuelta completamente a la derecha) al punto bajo/a la posición ligera.
2. Abra completamente la válvula en el cilindro del propano y espere 15 segundos antes del paso 3.
3. Empuje la perilla hacia adentro y sostenga por 5 segundos, permitiendo que el gas emita del orificio de hornilla.
4. Rote la perilla a la izquierda hasta los teclados del encendedor del piezo. Continúe rotando y activando el encendedor hasta que la hornilla se enciende.
5. Una vez que las luces de la hornilla sostengan la perilla adentro, en la posición baja por 30 segundos. Entonces lanzamiento. La hornilla debe permanecer se encendió. Si no repita los pasos 4&5 hasta que las estancias de la hornilla se encendieron.
6. Dé vuelta a la válvula principal de la hornilla para regular salida de calor.

**CUIDADO:** AJUSTAR LA TASA DE CONSUMO demasiado baja puede provocar hollín. Observe y evite la llama amarilla humeante.

## APAGADO

1. Cierre firmemente la válvula del cilindro de propano.

2. Continúe usando el calentador hasta que todo el combustible de la manguera se haya quemado.
3. Gire la válvula del quemador principal a la posición "low/light" (baja/encendido).

## REINICIO LUEGO DEL APAGADO DE SEGURIDAD

1. Cierre firmemente la válvula del cilindro de propano.
2. Espere 5 minutos.
3. Reinicie según se indica en la sección sobre el procedimiento de "Encendido".

## MANTENIMIENTO Y ALMACENAMIENTO

1. Debe inspeccionar el calentador antes de cada uso y hacerlo revisar por una persona calificada una vez por año.
2. Antes de cada uso, revise siempre el asiento del anillo "O" de goma que se encuentra en el extremo del acople del POL. Si el anillo "O" presenta cortes, raspaduras o cualquier otro daño, reemplácelo por la pieza número F273786.
3. Cierre la salida de gas en el cilindro o los cilindros de suministro de gas LP cuando no esté utilizando el calentador.
4. Cuando deba guardar el calentador en un lugar cerrado, deberá desconectar la conexión entre el cilindro o los cilindros de suministro de gas LP y el calentador, y deberá retirar los del calentador y guardarlos en un lugar al aire libre, como se especifica en el Capítulo 5 de los estándares ANSI/NFPA 58 y CSA B149.1 para almacenamiento y manipulación de gases del petróleo líquido del Código de instalación de propano y gas natural.

## REPARACIÓN

Se puede producir una situación de riesgo si se utiliza un calentador cuya configuración original haya sido modificada o si no está funcionando correctamente. Cuando el calentador funciona correctamente:

- \* La llama arde en el interior del calentador.
- \* La llama es fundamentalmente azul y puede tener algunas terminaciones amarillas.
- \* No se percibe un olor desagradable fuerte, no arden los ojos y no hay ningún otro tipo de incomodidad física.
- \* No hay humo ni hollín dentro ni fuera del calentador.
- \* El calentador no se apaga inesperadamente o inexplicablemente.

Las listas de piezas y el diagrama extendido muestran la configuración original del calentador. No utilice un calentador que sea diferente del que se muestra. En este sentido, utilice únicamente la manguera, el regulador y el acople de conexión (denominado acople POL) suministrados con el calentador.

**IMPORTANTE:** Haga coincidir la franja de color de la etiqueta colgante que se encuentra en el acople de la manguera con el color de la etiqueta situada cerca del acople de entrada del propano en el calentador. No utilice partes alternativas. Para este calentador, el regulador debe estar instalado como se muestra en la sección "Especificaciones". Si hay alguna duda acerca de la instalación del regulador, haga que lo revisen.

Si un calentador no funciona correctamente debe ser reparado, pero solo por un técnico de mantenimiento capacitado y experimentado.

Para los productos en garantía, la reparación se realizará sin costos de piezas ni mano de obra. Incluya una breve declaración indicando la fecha y el lugar de compra, la naturaleza del problema y el comprobante de compra.

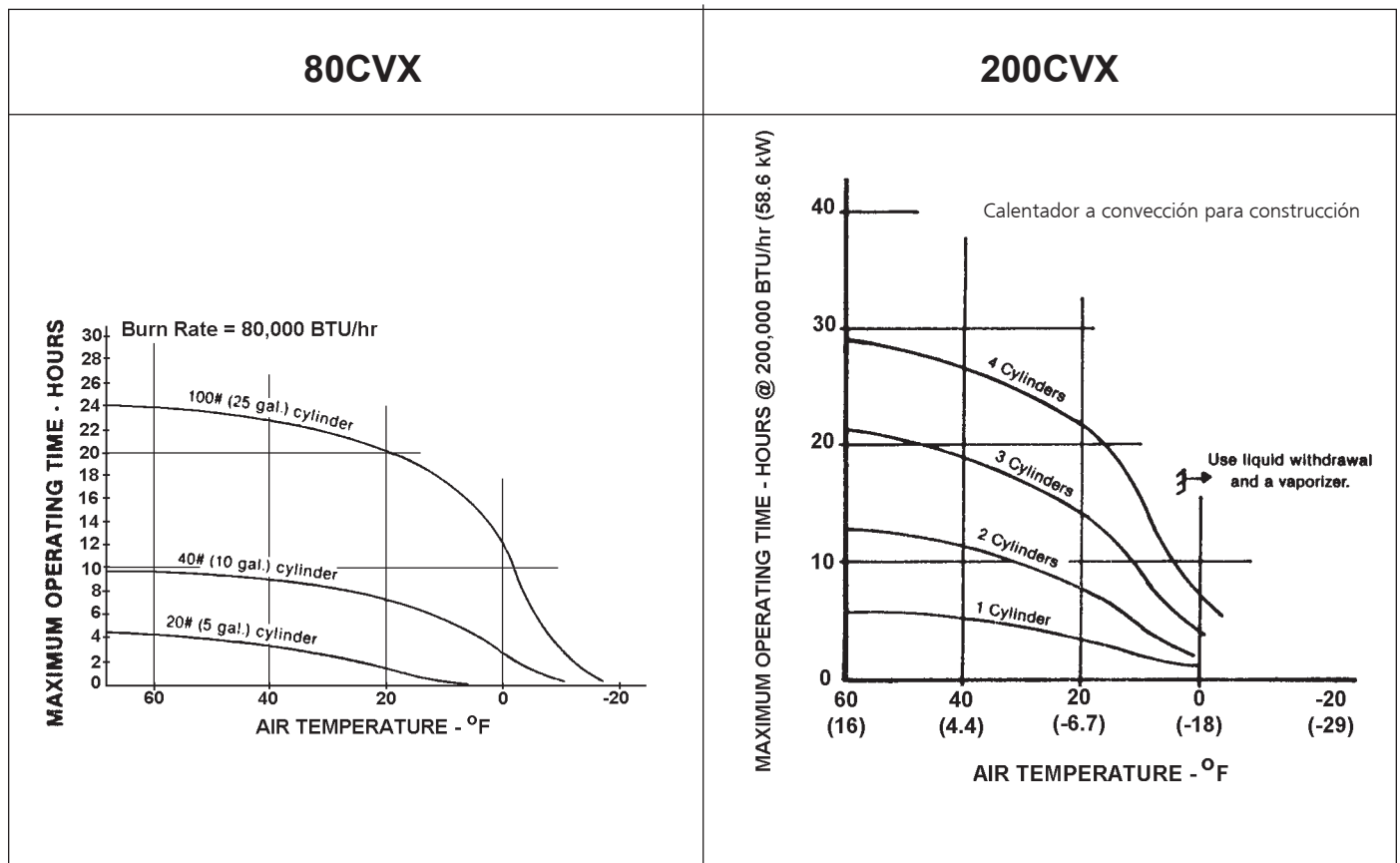
La reparación de los productos que se encuentren fuera del período de garantía incluirá los costos de piezas y mano de obra.

# INFORMACIÓN SOBRE EL TAMAÑO Y LA CAPACIDAD DE LOS CILINDROS DE PROPANO NECESARIOS

Los gráficos siguientes muestran el tamaño aproximado del cilindro que necesitan estos calentadores. Para utilizar el gráfico:

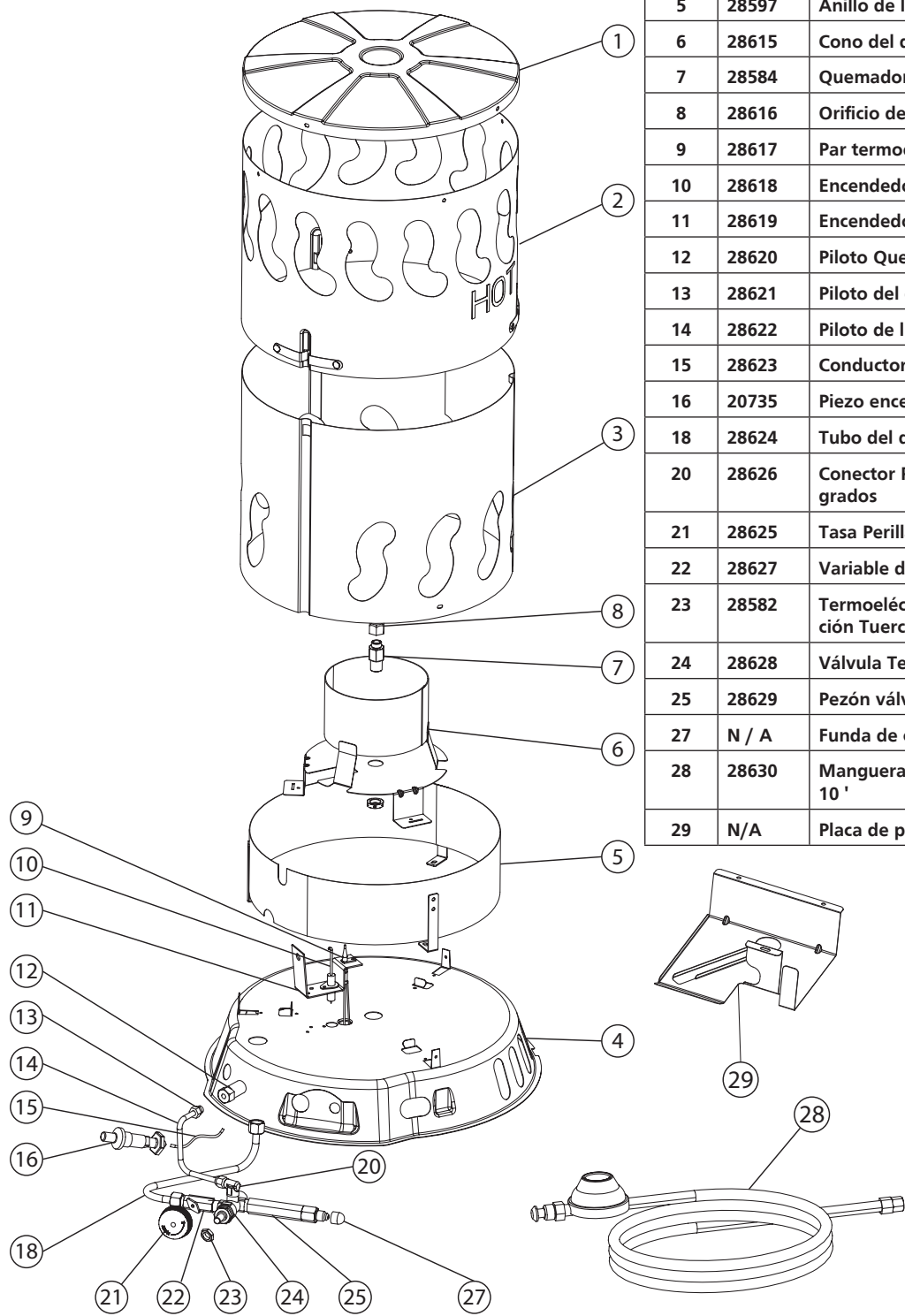
1. Seleccione la temperatura de aire mínima esperada (parte inferior del gráfico).
2. Ascienda en la vertical hasta encontrar el tiempo de funcionamiento deseado (a la izquierda del gráfico).
3. Lea el tamaño de cilindro requerido.

Todos los calentadores deben tener: cilindros llenos  
buena circulación de aire  
cilindros sin escarcha

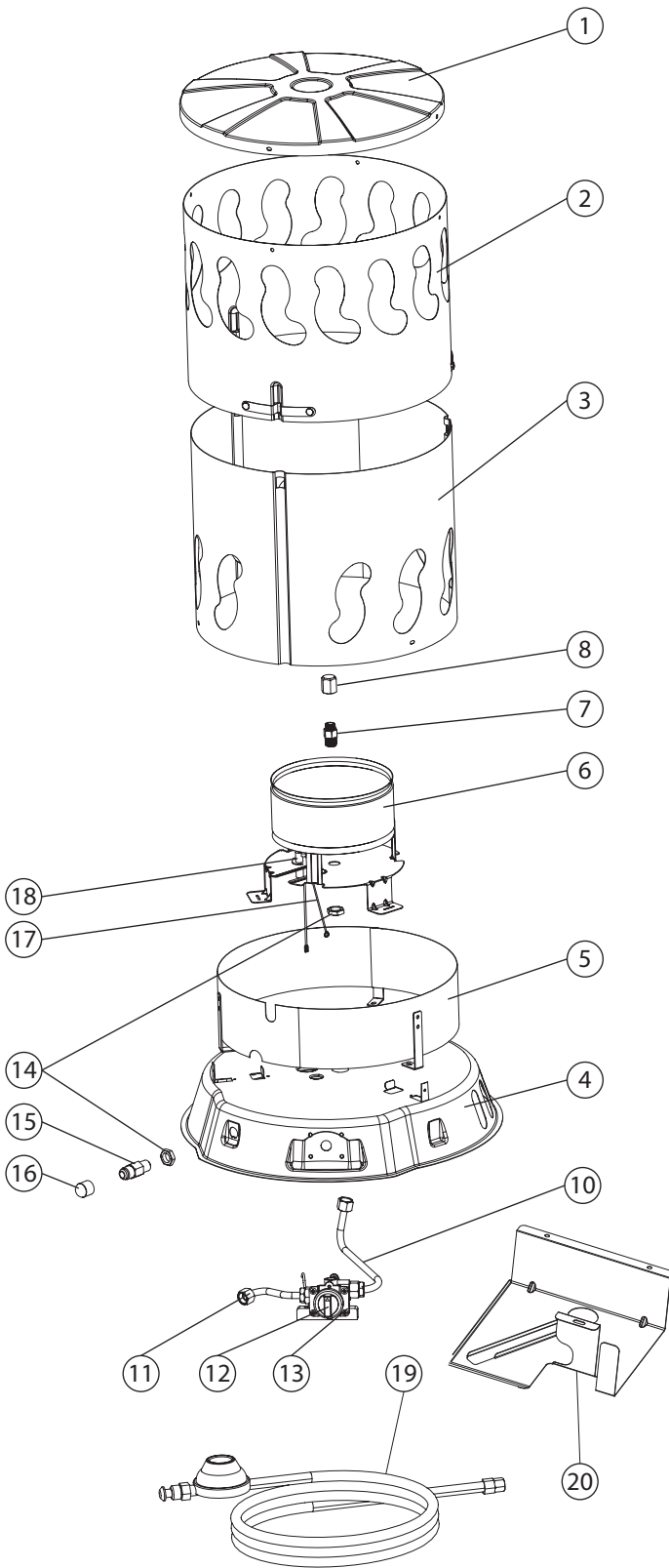


## VISTA Y LISTA DE PIEZAS EXPLOTARON HS200CVX

REF #	ITEM #	Desc.	QTY
1	28590	Cámara de combustión superior 200CV	1
2	28612	La combustión Cámara Alta 200CV	1
3	28613	La combustión Cámara Baja 200CV	1
4	28614	Base Calentador	1
5	28597	Anillo de la cámara de combustión	1
6	28615	Cono del quemador	1
7	28584	Quemador Titular de orificio	1
8	28616	Orificio del quemador	1
9	28617	Par termoeléctrico	1
10	28618	Encendedor Electrodo	1
11	28619	Encendedor Electrodo Soporte	1
12	28620	Piloto Quemador Head	1
13	28621	Piloto del orificio del quemador	1
14	28622	Piloto de línea de suministro de gas	1
15	28623	Conductor del encendedor	1
16	20735	Piezo encendedor Con Tuerca	1
18	28624	Tubo del quemador de alimentación	1
20	28626	Conector Piloto de suministro de 90 grados	1
21	28625	Tasa Perilla de Ajuste	1
22	28627	Variable de Válvulas Cuerpo	1
23	28582	Termoeléctrica de válvula de retención Tuerca	1
24	28628	Válvula Termoeléctrica	1
25	28629	Pezón válvula de entrada	1
27	N / A	Funda de caucho	1
28	28630	Manguera y regulador de conjunto 10'	1
29	N/A	Placa de protección inferior	1



## VISTA Y LISTA DE PIEZAS EXPLOTARON HS80CVX



REF #	ITEM #	Desc.	QTY
1	28590	Cámara de combustión superior 80CVX	1
2	28589	La combustión Cámara Alta 80CVX	1
3	28588	La combustión Cámara Baja 80CVX	1
4	28593	Base Calentador	1
5	28597	Anillo de la cámara de combustión	1
6	28585	Cono del quemador	1
7	28584	Quemador Titular de orificio	1
8	28583	Orificio del quemador	1
10	28595	Tubo del quemador de alimentación	1
11	28594	Tubo de entrada de suministro de combustible	1
12	28591	Válvula de Tasa Variable Perilla	1
13	28587	Asamblea Válvula de control	1
14	28582	Retén de la tuerca	2
15	28596	Entrada de la llamarada ajuste	1
16	N / A	Funda de caucho	1
17	28592	Par termoelectrico	1
18	28586	Encendedor Electrodo	1
19	28598	Manguera y regulador de conjunto 10'	1
20	N/A	Placa de protección inferior	1

**\*\*\*Page left intentionally blank\*\*\***

**\*\*\*Page left intentionally blank\*\*\***



# INSTRUCCIONES DE USO Y MANUAL DEL USUARIO

Modelo #

HS80CVX  
HS200CVX

**LEA CUIDADOSAMENTE LAS INSTRUCCIONES:** lea y siga todas las instrucciones. Consérvelas en un lugar seguro para futura referencia. No permita que nadie que no haya leído estas instrucciones arme, encienda, ajuste o use el calentador.



## ADVERTENCIA:

USE SOLAMENTE REPUESTOS DEL FABRICANTE. EL USO DE CUALQUIER OTRA PIEZA PODRÍA CAUSAR HERIDAS O LA MUERTE. LOS REPUESTOS ESTÁN DISPONIBLES ÚNICAMENTE EN LA FÁBRICA Y DEBEN SER INSTALADOS POR UNA AGENCIA DE SERVICIO CALIFICADA.

## INFORMACIÓN PARA ORDENAR REPUESTOS:

**COMPRAS:** Los accesorios se pueden comprar en cualquier distribuidor local de HeatStar o directamente en la fábrica.

### SI DESEA OBTENER INFORMACIÓN ACERCA DE REPARACIONES

Llame sin cargo al 800-251-0001 • [www.HEATSTARBYENERCO.COM](http://www.HEATSTARBYENERCO.COM)

Nuestro horario de trabajo es de 8:00 a. m. a 5:00 p. m., hora del este, de lunes a viernes.

Incluya el número de modelo, la fecha de compra y la descripción del problema en todas sus comunicaciones.

## GARANTÍA LIMITADA

La compañía da garantías de que este producto está libre de imperfecciones materiales y de fabricación, bajo condiciones de uso normales y adecuadas de acuerdo con las instrucciones de la Compañía, por un período de un año a partir de la fecha de entrega al comprador. La Compañía, según decida, reparará o reemplazará los productos que el comprador devuelva a la fábrica, con transportación prepagada dentro del mencionado período de un año y que la Compañía determine que presentan imperfecciones materiales o de fabricación.

Si alguna de las piezas está dañada o si le falta alguna, llame al Departamento de Asistencia Técnica al 800-251-0001.

Dirija sus reclamos de garantía a: Service Department, HEATSTAR, Inc., 4560 W. 160TH ST., CLEVELAND, OHIO 44135. Incluya su nombre, dirección y número telefónico en su comunicación e incluya los detalles relacionados con el reclamo. Además, infórmenos la fecha de la compra y el nombre y la dirección del proveedor de quien adquirió nuestro producto.

Lo anterior describe las responsabilidades de la Compañía en toda su extensión. No hay otras garantías, ni explícitas ni implícitas. Específicamente, no hay garantías acerca de la adecuación para un propósito particular y no hay garantías de comerciabilidad. En ningún caso la Compañía será responsable por demoras causadas por imperfecciones, por daños consecuentes, ni por ningún otro cargo de gastos de ninguna naturaleza realizados sin su consentimiento escrito. El costo de reparación o reemplazo será la única compensación por cualquier incumplimiento de la garantía. No hay garantía ni se derivará garantía implícita alguna del proceso de comercialización ni de las prácticas comerciales comunes. Esta garantía no será válida para productos que hayan sido reparados o alterados fuera de la fábrica en cualquier sentido que a nuestro criterio afecte su estado o funcionamiento.

Algunos estados no permiten la exclusión o limitación de daños incidentales ni consecuentes, así que la limitación o exclusión anterior puede no tener validez en su caso. Esta Garantía le otorga derechos legales específicos, y usted puede tener otros derechos que varían de un estado a otro.

HEATSTAR se reserva el derecho de hacer cambios en cualquier momento, sin previo aviso, en los colores, las especificaciones, los accesorios, los materiales y los modelos.

REGISTRO DEL PRODUCTO: Gracias por su compra.

Inicie sesión en <http://www.egiregistration.com> para registrar su producto.



ANSI Z83.7/CSA 2.14-2011

HEATSTAR, INC., 4560 W. 160TH ST., CLEVELAND, OHIO 44135 • 866-447-2194

HEATSTAR es una marca comercial registrada de HEATSTAR, Inc.

© 2015, HEATSTAR. Todos los derechos reservados.